



KTLD-25-UV-SC1250-56-VDIM-W1

CONSTANT CURRENT PROGRAMMABLE LED DRIVER

DESCRIPTION

LED Driver | 25W | 120-277V Input | 420-1250mA Programmable Output Current

Class P **FC** **UL** LISTED **RoHS** Compliant **5 YEAR** WARRANTY

| | |
|---------------------------------------|-----------------------------------|
| TOTAL POWER: 25W | OUTPUT CURRENT: 420-1250mA |
| INPUT VOLTAGE: 120-277Vac ±10% | DIMMING: 0-10V |
| INPUT FREQUENCY: 50/60 Hz | WARRANTY: 5 Years |



PRODUCT FEATURES

- Meets FCC Part 15 (Class B) consumer limits
- Short circuit overload and open load protection
- Dimmable with 0–10V dimmer (down to 1% at max. output current)
- THD: < 20%
- Auxiliary Power: 12Vdc; 200mA max.
- -40°C/–40°F to 50°C/122°F operating temperature
- 90°C/194°F maximum case temperature
- Input frequency: 50/60 Hz
- Programmable output current via Keystone supplied programming jig
- Class A Sound Rating

PROGRAMMING FEATURES

- Drive Current (10mA Increments)
- Minimum Dimming Level (1%, 3%, 5%, 7%, or 10%)
- Dimming Curve (Linear, Log, Inverse Log, or Square-law)
- Minimum Dimming Voltage (1V, 1.5V, or 2V)
- Maximum Dimming Voltage (7V, 8V, or 9V)
- Dim-to-off Voltage (.8V, 1V, 1.2V, or N/A)
- Thermal Foldback Temperature (75°C, 80°C, 85°C, or 90°C)



REQUIRED ACCESSORIES

| Order Code | Description |
|-----------------|---|
| KTLD-SC-ADPT-1B | W1 Case Adapter for Smart Current Programming Cradle |
| KTLD-SC-PGMR-1 | Smart Current Programming Cradle with Micro-USB Cable |

ELECTRICAL SPECIFICATIONS

| | |
|----------------------------------|---|
| Input Voltage Range | 120-277Vac ±10% |
| Frequency | 50/60 Hz |
| Power Factor | >0.9 under 120~277Vac Input with 80~100% Load Condition (For All Output Currents) |
| Inrush Current | 20A @277V |
| Max. Input Current | 0.28A @120V, 0.16A @240V and 0.13A @277V |
| THD | < 20% under 120~277Vac input with 80~100% load condition (For All Output Currents) |
| Load Regulation | ± 2% |
| Line Regulation | ± 1% |
| Output Tolerance | ± 5% at Full Load Condition |
| Turn-On Delay Time | < 2 Seconds at Full Load Condition |
| Overshoot | < 10% at Full Load Condition |
| No Load Power Consumption | < 1W |
| Ripple and Noise (pk-pk) | < 3% |
| Withstand Voltage | Input to output, 2,800Vdc, 2mA |
| Leakage Current | Maximum 0.5mA at 277Vac, 60Hz input |
| Protection | <ul style="list-style-type: none"> • Over Voltage Protection: Hiccup mode. Protection will trigger when load voltage exceed specified output voltage and will auto recover after the fault mode is removed. • Over Current Protection: Hiccup mode. Protection will trigger when load current exceed specified output current and will auto recover after the fault mode is removed. • Short Circuit Protection: Hiccup mode. Protection will trigger when short circuit and will auto recover after the fault mode is removed. • Over Temperature Protection: Protection will trigger when driver overheat and auto-recovery when cooled down. |



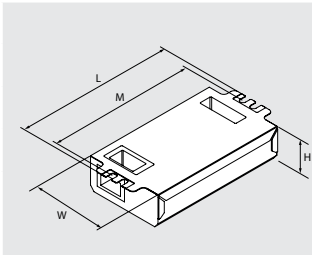
KTLD-25-UV-SC1250-56-VDIM-W1

CONSTANT CURRENT PROGRAMMABLE LED DRIVER

PRODUCT SPECIFICATIONS

| Max. Output Power | Output Current | Output Voltage | OCV | Typical Efficiency at 120V | Typical Efficiency at 240V | Typical Efficiency at 277V | Remote Mounting Distance (#18 AWG) | Class 2 | |
|-------------------|----------------|----------------|-----|---|---|---|------------------------------------|---------|--------|
| | | | | | | | | US | Canada |
| 25W | 420-1250mA | 10-56V | 60V | 85% @ 1.2A, 20Vdc 86% @ 0.44A, 56Vdc | 85% @ 1.2A, 20Vdc 88% @ 0.44A, 56Vdc | 84% @ 1.2A, 20Vdc 88% @ 0.44A, 56Vdc | 29 ft. | ✓ | |

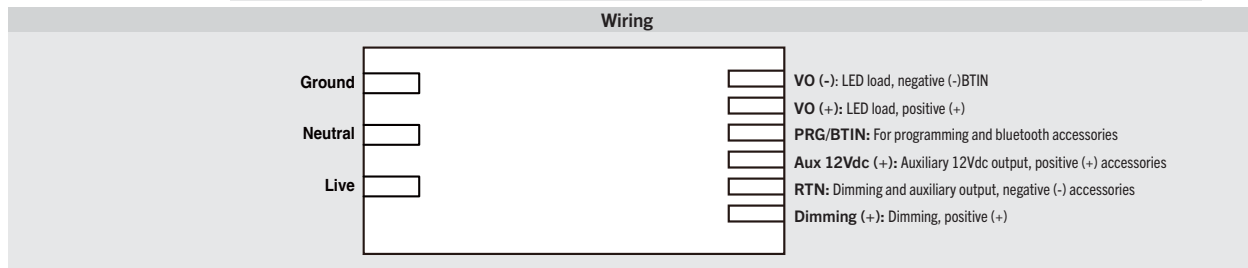
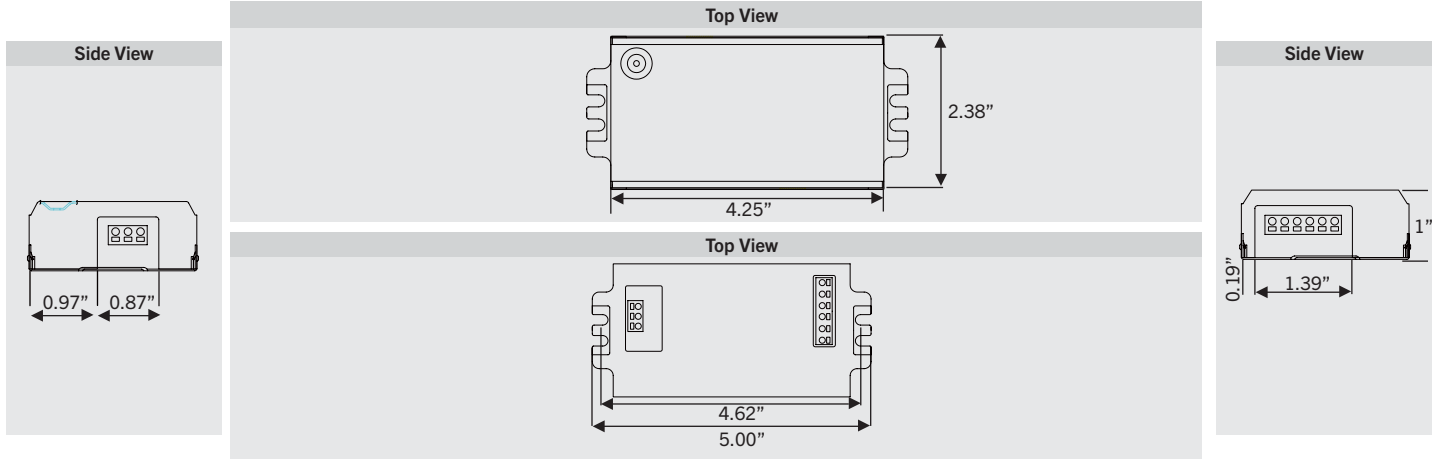
PHYSICAL SPECIFICATIONS



| | |
|---------------|-------|
| LENGTH | 5.00" |
| WIDTH | 2.38" |
| HEIGHT | 1.00" |
| MOUNTING | 4.62" |
| CASE STYLE | W1 |
| CASE MATERIAL | Metal |

WIRING SPECIFICATIONS

| | |
|---------|----------------|
| INPUT | Terminal Block |
| OUTPUT | Terminal Block |
| DIMMING | Terminal Block |



ENVIRONMENTAL SPECIFICATIONS

| | |
|--------------------------|---|
| Operating Temperature | -40 to 50°C |
| Storage Temperature | -40 to 85°C |
| Humidity | 5% to 95% |
| MTBF | TBD |
| Life Rating | 85,000 hours at 120Vac input, 100% load and 60°C case temperature |
| Maximum Case Temperature | 90°C |

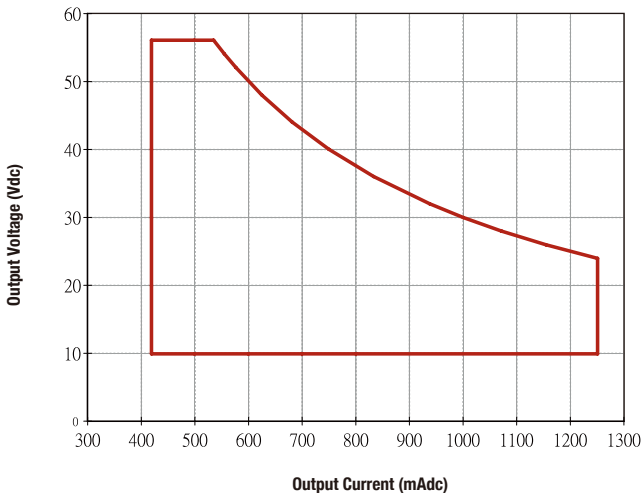


KTLD-25-UV-SC1250-56-VDIM-W1 CONSTANT CURRENT PROGRAMMABLE LED DRIVER

SAFETY AND EMC COMPLIANCE

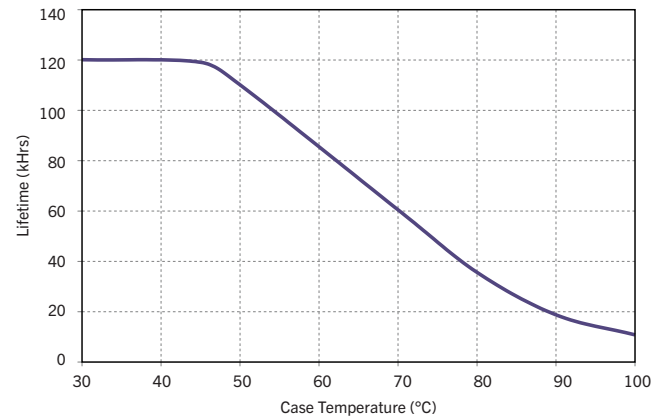
| | |
|--------------------|--|
| UL/cUL | UL 8750 Pending, UL1310 Class 2 |
| CE | EN61347-1, EN61347-2-13 |
| FCC, 47CFR Part 15 | ANSI C63.4:2009 Class B (Consumer Limit) |
| EN61000-3-2 | Harmonic Current Emissions Class C |

LED DRIVER OUTPUT WINDOW



Note: Driver is in Constant Power mode from 500mA to 1250mA.

LIFETIME VS CASE TEMPERATURE



ORDERING INFORMATION

| Order Code | Packaging Style | Pack Quantity | Item Status |
|---------------------------------|-----------------|---------------|-------------|
| KTLD-25-UV-SC1250-56-VDIM-W1-CP | Carton Pack | 50 | Quick Ship |

CATALOG NUMBER BREAKDOWN

KTLD-25-UV-SC1250-56-VDIM-W1-CP

1

2

3

4

5

6

7

8

9

- 1 Keystone Technologies LED Driver
- 2 Max. Output Wattage
- 3 120-277V Input
- 4 Smart Current
- 5 Max. Output Current
- 6 Max. Output Voltage
- 7 0-10V Dimming
- 8 Case Style
- 9 Packaging Style