



ESSENTIAL SERIES

GENERAL PURPOSE LED BULBS

KT-LED7MR16-S-9XX

REPLACEMENT LAMP

DESCRIPTION

7W MR16 Lamp | 2700–5000K | >90 CRI | Spot Light



3 YEAR
WARRANTY

LAMP TYPE: MR16
BASE TYPE: GU5.3
WATTAGE: 7W
COLOR TEMPERATURE: 2700–5000K
COLOR RENDERING INDEX (CRI): > 90
WARRANTY: 3 Years
RATED LIFE: L70 (25,000 Hours)



TYPICAL APPLICATIONS

- Track Lighting
- Display
- Undercabinet
- Outdoor Landscape (with suitable protection from the elements)

PRODUCT FEATURES

- Energy Efficient, 80%+ Energy Savings over Legacy Equivalents
- Lower Heat Generation than Legacy Equivalents
- Rated for open and recessed fixtures
- PF >0.90
- Complies with Part 15 of FCC
- HiCRI LED's offer enhanced color rendering vs 80 CRI LED's, providing ideal clarity, representation, and uniformity of illuminated area/objects
- Title 20 Compliant
- Title 24 JA8 compliant
- Operating temperature range –4°F/–20°C to 95°F/35°C
- Long Life minimizes replacement and maintenance costs
- ANSI complaint construction ensures fitment for intended applications
- Meets Energy Star requirements
- UL Listed
- Durable Plastic housing lowers the risk for breakage
- Precision crafted full face optics for precise beam angle control
- Compatible with Keystone Low Voltage Transformers
- Smooth, uniform dimming

ELECTRICAL AND PERFORMANCE SPECIFICATIONS

Keystone Catalog Number	Description	Color Temp	Input Voltage	Rated Lamp Wattage	Legacy Equivalent Wattage	Base Type	Lumens	CRI	Light Distribution	Dimmable	Efficacy
KT-LED7MR16-S-927	MR16 bulb. Spot light, dimmable	2700K	12V	7W	50W halogen	GU5.3	500	>90	35°	Yes	71 lm/W
KT-LED7MR16-S-930	MR16 bulb. Spot light, dimmable	3000K	12V	7W	50W halogen	GU5.3	500	>90	35°	Yes	71 lm/W
KT-LED7MR16-S-940	MR16 bulb. Spot light, dimmable	4000K	12V	7W	50W halogen	GU5.3	500	>90	35°	Yes	71 lm/W
KT-LED7MR16-S-950	MR16 bulb. Spot light, dimmable	5000K	12V	7W	50W halogen	GU5.3	500	>90	35°	Yes	71 lm/W



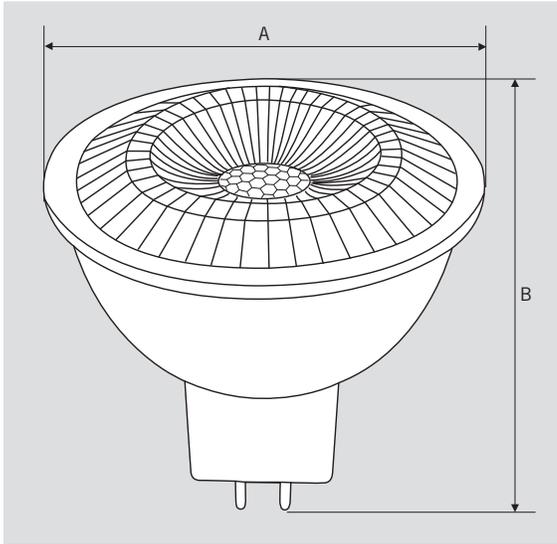
ESSENTIAL SERIES

GENERAL PURPOSE LED BULBS

KT-LED7MR16-S-9XX

REPLACEMENT LAMP

PHYSICAL CHARACTERISTICS



PACKAGING

Carton Quantity	60 pcs
Carton Dimensions	12.95" × 10.91" × 6.54"
Carton Weight	8.6 lbs

LAMP DIMENSIONS

A (Diameter)	1.97"
B (Length)	1.91"

BASE TYPE: GU5.3

ORDERING INFORMATION

ORDER CODE	CARTON QUANTITY	ITEM STATUS
KT-LED7MR16-S-9XX	60 pcs	Active

CATALOG NUMBER BREAKDOWN

KT-LED7MR16-S-9XX

1 2 3 4 5 6 7

- 1 Keystone Technologies
- 2 LED Lamp
- 3 Wattage
- 4 Lamp Shape
- 6 Spot Light
- 7 900 Series
- 8 Color Temperature