

KTS-PIR3-12V-PK0 /G2

LED PASSIVE INFRARED (PIR) OCCUPANCY/DAYLIGHT SENSOR

DESCRIPTION

PIR Occupancy/Daylight Sensor | Pre-wired for Quick Installation | Performance Parameters Set by Remote Control (sold separately)

INPUT VOLTAGE: 12Vdc \pm 2Vdc

OUTPUT VOLTAGE: 0–10Vdc

TRANSMIT POWER: < 0.5mW max.



5 YEAR
WARRANTY



RoHS
Compliant

PRODUCT FEATURES

- Screw-in form factor to work with many different Keystone fixture types. Removes need for any additional control wiring
- Partial discharge (PD) dual-technology differentiates artificial light brightness from natural light and automatically turns off light when ambient brightness exceeds preset lux level
- PIR sensing technology detects motion in the coverage area and automatically turns off light when motion is no longer detected
- Powered by Keystone 0–10V dimming LED driver
- Adjustable performance parameters set by Keystone remote control (sold separately)
- Ambient operating temperature: $-30^{\circ}\text{C}/-22^{\circ}\text{F}$ to $60^{\circ}\text{C}/140^{\circ}\text{F}$

PERFORMANCE SPECIFICATIONS

Input Voltage	Input Current	Output Voltage	Stand-By Power	Max Mounting Height	Detection Angle	Detection Range	Adjustable Settings				
							Brightness	Hold Time	Daylight Threshold	Stand-By Time	Stand-By Dim Level
12Vdc	30mA	0–10V	<0.5W	40 ft (ceiling mount)	Ceiling mount: 360° Wall mount: <120°	Ceiling mount: \varnothing 46 ft max	70% 80% 90% 100%	10 sec 1 min 10 min 30 min	10 Lux 30 Lux 50 Lux 100 Lux Disable	1 min 30 min 60 min ∞	10% 20% 30% 50%

FACTORY PRESETS

Catalog Number	Brightness	Hold Time	Daylight Threshold	Stand-By Time	Stand-By Dim Level
KTS-PIR3-12V-PK0 /G2	100%	10 min	Disable	∞	50%

STARTUP BEHAVIOR

When fixture power is applied, the below startup sequence occurs

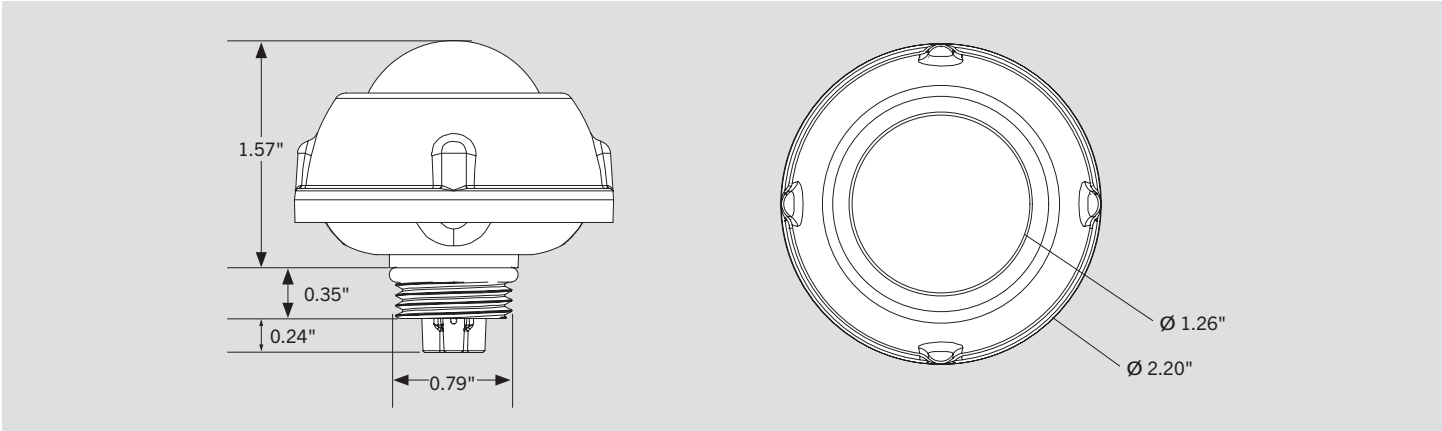
1. Light output 100%, red indicator on
2. After 10s, red indicator off
3. After 40s more, light output to 50% level
4. Sensor is now ready for normal operation



KTS-PIR3-12V-PK0 /G2

LED PASSIVE INFRARED (PIR) OCCUPANCY/DAYLIGHT SENSOR

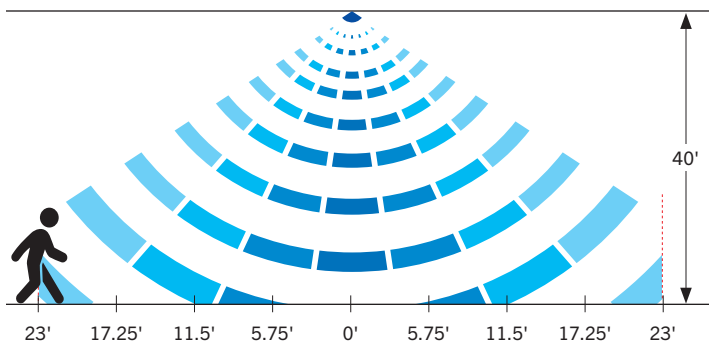
PHYSICAL SPECIFICATIONS



DETECTION COVERAGE

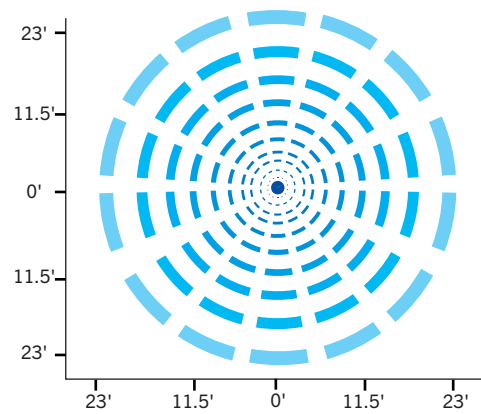
CEILING MOUNT (Side View)

Detection angle: 360°
 Detection range: Ø 46' max.
 Mounting height: 40' max.



CEILING MOUNT (Top View)

Detection angle: 360°
 Detection range: Ø 46' max.
 Mounting height: 40' max.



KTS-PIR3-12V-PK0 /G2
LED PASSIVE INFRARED (PIR) OCCUPANCY/DAYLIGHT SENSOR

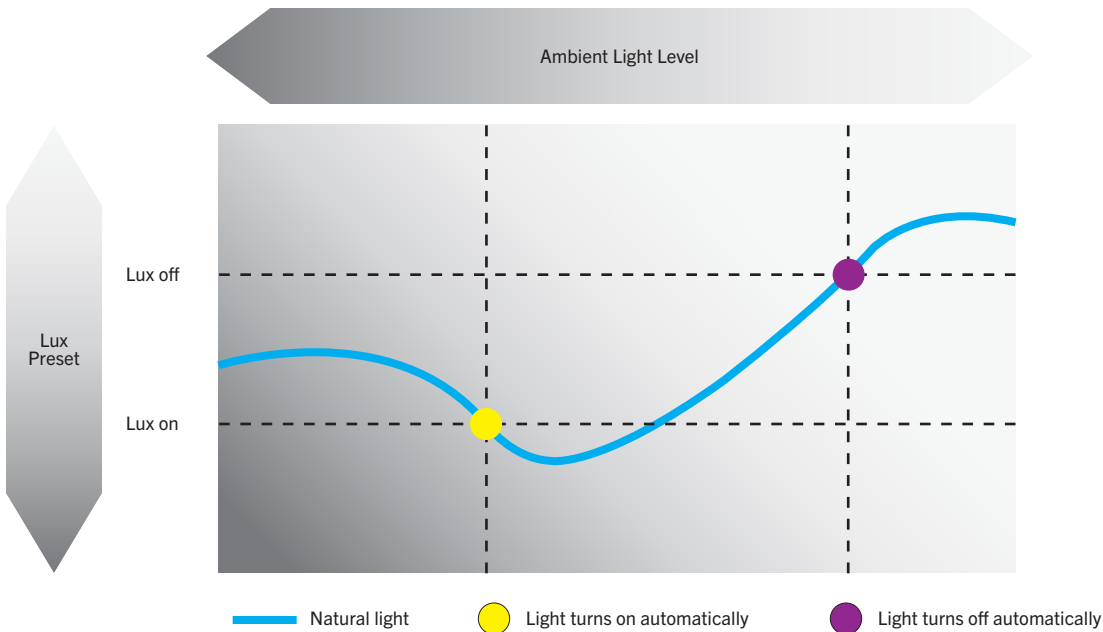
LUX ON/OFF SETTING

FUNCTION

Partial discharge (PD) dual-technology differentiates artificial light brightness from natural light and automatically turns off light when ambient brightness exceeds preset lux level.

Lux-Off function preconditions:

- Stand-by period setting: ∞
- Stand-by dimming level setting: 10%, 20%, 30%, or 50%
- Daylight threshold setting: 10 Lux, 30 Lux, 50 Lux, or 100 Lux



APPLICATION



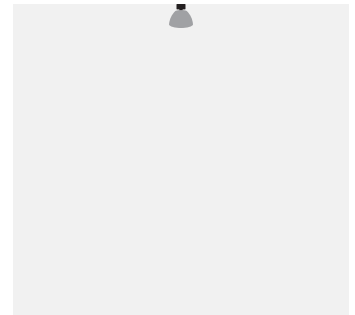
Light automatically on when ambient brightness is lower than preset lux level.



With insufficient ambient brightness, light dims to 100% when motion detected



Light dims to stand-by level if no motion is detected after hold time.

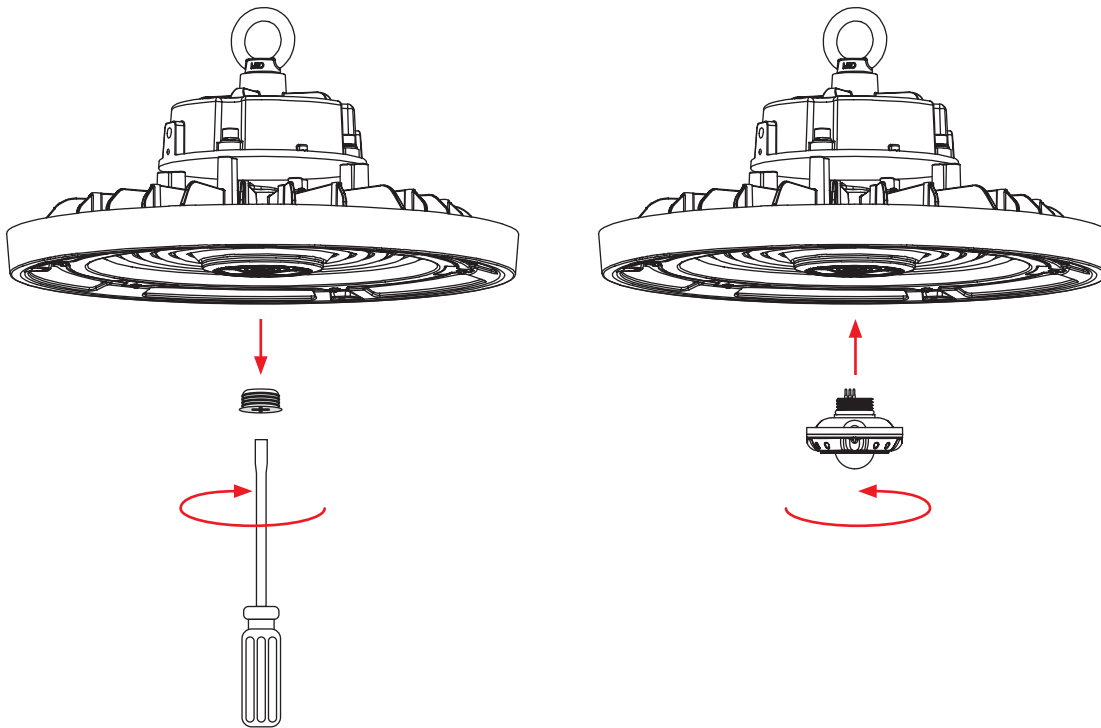


Light off when ambient lux level is higher than preset lux amount.

KTS-PIR3-12V-PKO /G2
LED PASSIVE INFRARED (PIR) OCCUPANCY/DAYLIGHT SENSOR

INSTALLATION

1. Ensure power is off to the fixture.
2. Remove 1/2" knock-out (KO) plug.
3. Screw in sensor head.
(see illustrations below)



4. Re-connect power when ready.
5. Program desired settings as needed with Keystone Remote Control.

ACCESSORY (SOLD SEPARATELY)

REMOTE CONTROL

Catalog Number	Description	UPC	Easy Code
KTS-MW3-REMOTECONTROL	Remote Control for KTS-PIR3-12V-PKO /X Sensors, Sets/adjusts all sensor performance parameters	843654132020	XSR-61





KTS-PIR3-12V-PKO /G2

LED PASSIVE INFRARED (PIR) OCCUPANCY/DAYLIGHT SENSOR

ORDERING INFORMATION

ORDER CODE	PACK QTY.	UPC	Easy Code
KTS-PIR3-12V-PKO /G2	1	843654146447	GLF-99

CATALOG NUMBER BREAKDOWN

KTS-PIR3-12V-PKO /G2

1
2
3
4
5
6

- 1** Keystone Technologies Sensor
- 2** Passive Infrared Sensor Form Factor
- 3** Input Voltage—12V
- 4** Pin Connection
- 5** Knock Out
- 6** Generation 2