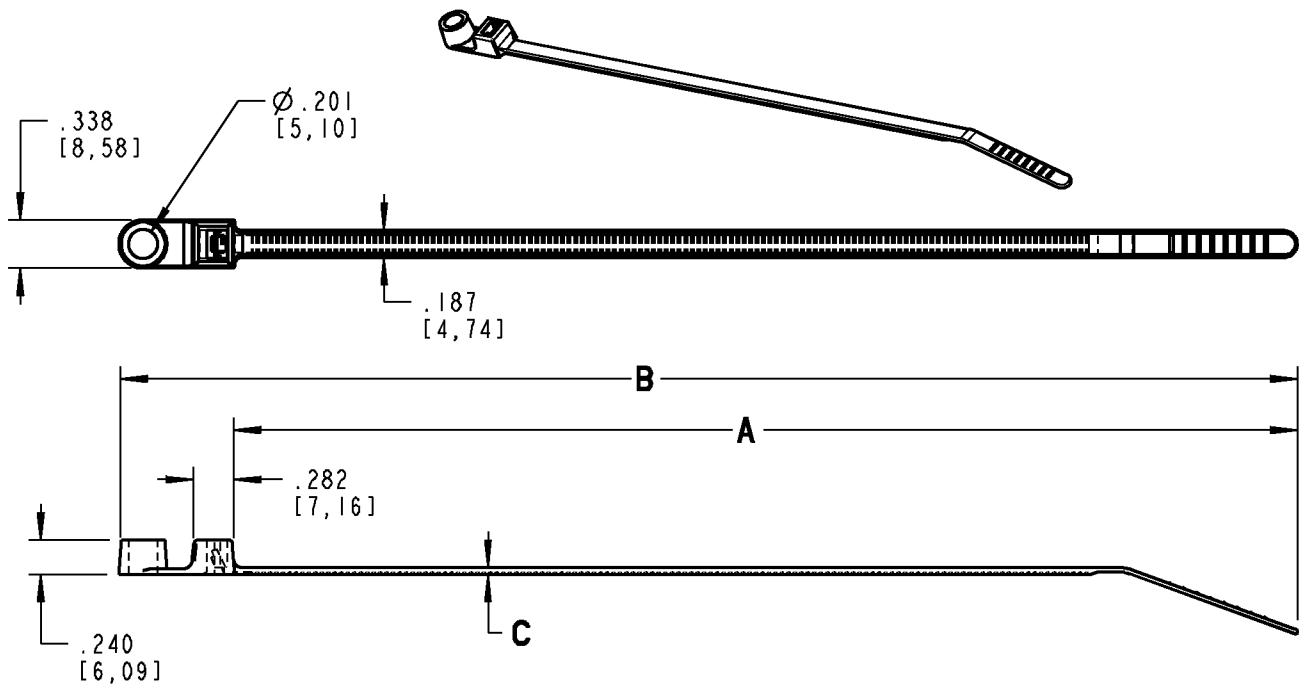




Catamount®

**NOTES:**

1. MATERIAL: NYLON 6,6
2. FLAMMABILITY: UL94V-2
3. OPERATING TEMPERATURE RANGE: -40°F [-40°C] TO 185°F [85°C]
4. MINIMUM TENSILE RATING: 50 LBS [222 N]
5. MAXIMUM WIRE BUNDLE: SEE TABLE
6. MOUNTING HEAD SCREW SIZE: #10 [M5]
7. INSTALLATION TOOL/SETTING: ERG50/6-8 or ERG120/1-4

CATALOG NUMBER	MAX. WIRE BUNDLE DIA.	A	B	C
L-7-50MH-***	1.750 [44,45]	7.387 [187,62]	8.175 [207,64]	.047 [1,19]
L-11-50MH-***	3.000 [76,2]	11.571 [293,90]	12.359 [313,91]	.054 [1,37]
L-14-50MH-***	4.000 [101,6]	14.221 [361,21]	15.000 [381,0]	.054 [1,37]

* = COLOR CODE: 0 = BLACK 3 = ORANGE 6 = BLUE 9 = NATURAL 17 = FLUORESCENT YELLOW
 1 = BROWN 4 = YELLOW 7 = PURPLE 11 = FLUORESCENT PINK 18 = FLUORESCENT GREEN
 2 = RED 5 = GREEN 8 = GRAY 16 = FLUORESCENT ORANGE 20 = FLUORESCENT BLUE

** = PACKAGING: C= STD PKG (100) D= BULK PKG (500) M = BULK PKG (1,000)
 CONSULT CUSTOMER SERVICE FOR PACKAGE QUANTITY AVAILAILITY

GENERAL NOTES		Thomas & Betts www.tnb.com			
1. ALL DIMENSIONS ARE FOR REFERENCE ONLY. 2. DIMENSIONS IN BRACKETS [] ARE IN METRIC UNITS.					
REVISIONS		DESCRIPTION: 7", 11" & 14" SERIES 50 MOUNTING HEAD STANDARD CABLE TIES			
- SEE ERN (****) FOR APPROVAL SIGNATURES & RELEASE DATE. PROJECT NO: ****		ORIGINAL PROJECT NO / (ERN NO)	SHEET NO:	REV. NO:	DRAWING NO:
		FM401B2 / (2007414)	1 OF 1	-	WSD-000303