



KT-LED25T8-48G-8XX-DX2

T8 LED LAMP

DESCRIPTION

25W T8 LED | 3000–6500K | >83 CRI | High-Efficiency | Single- or Double-ended Wiring



RoHS Compliant



5 YEAR WARRANTY

LAMP TYPE: Linear
BULB TYPE: T8
BASE TYPE: G13 (Medium Bi-Pin)
WATTAGE: 25W
COLOR TEMPERATURE: 3000–6500K
COLOR RENDERING INDEX (CRI): >83
WARRANTY: 5 Years



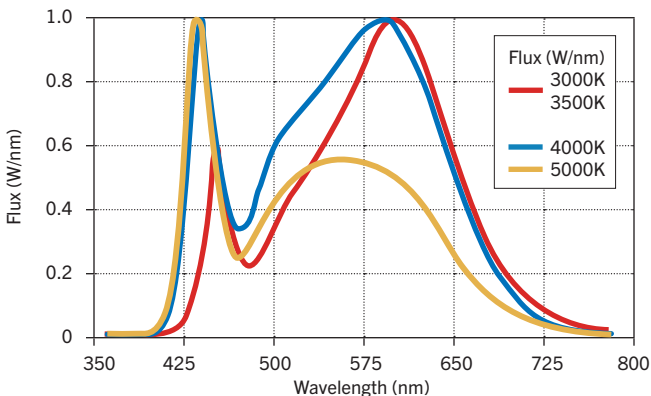
PRODUCT FEATURES

- Replacement for conventional fluorescent lamp
- Single- or double-ended wiring
- 50,000+ hour lifetime
- Approximately 40% more energy efficient than standard F32T8 lamps
- Environmentally friendly: No mercury used
- Instant startup
- Frosted lens eliminates pixelation
- UL Classified
- Operating temperature: –20°C/–4°F to 45°C/113°F
- Integral driver (isolated) eliminates the need for external driver or ballast
- 110+ Lumens per Watt
- Lamp is dimmable when used with an appropriate dimming accessory (purchased separately). Contact Keystone for more details to find out what is best for the intended application.

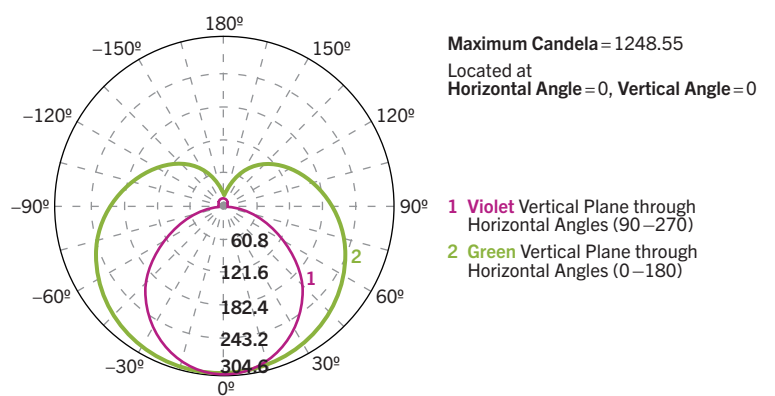
ELECTRICAL AND PERFORMANCE SPECIFICATIONS

Catalog Number	Input Voltage	Power Consumption	Color Temperature (CCT)	Luminous Flux	Efficacy	Beam Angle	Visible Light Area	Power Factor	Input Current	Rated Life
KT-LED25T8-48G-830-DX2	120–277 Vac	25W	3000K	3000 lm	120 lm/W	240°	325°	>0.9	0.20A @ 120V 0.09A @ 277V	L70 (Hours) 50,000
KT-LED25T8-48G-835-DX2			3500K	3000 lm	120 lm/W					
KT-LED25T8-48G-840-DX2			4000K	2900 lm	116 lm/W					
KT-LED25T8-48G-850-DX2			5000K	3000 lm	120 lm/W					
KT-LED25T8-48G-865-DX2			6500K	-	-					

SPECTRAL DISTRIBUTION



POLAR CANDELA DISTRIBUTION





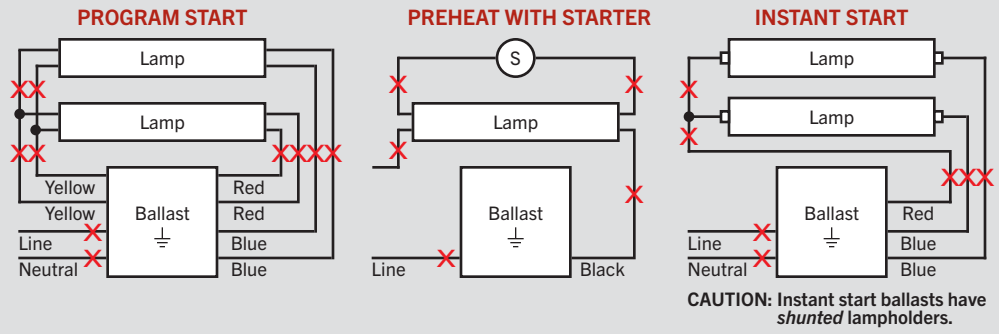
KT-LED25T8-48G-830-DX2

T8 LED LAMP

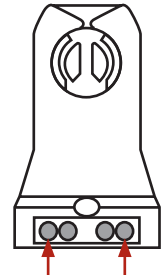
SINGLE-ENDED WIRING DIAGRAM

- Cut all existing connections to ballast as shown below and remove ballast. See *Figure A* for typical ballast configurations. **Note: Single-ended wiring requires non-shunted lampholders.**

FIGURE A TYPICAL BALLAST CONFIGURATIONS



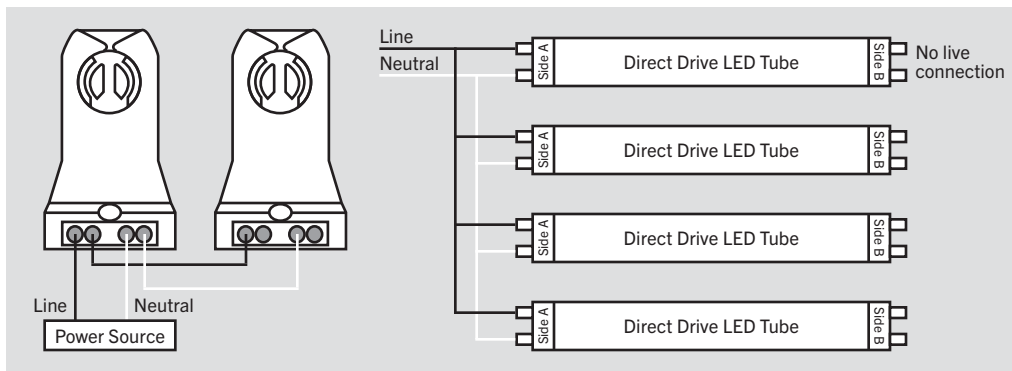
TYPICAL NON-SHUNTED LAMPHOLDER



Connect wires directly to these terminals

CAUTION: FOR SINGLE-ENDED WIRING USE ONLY NON-SHUNTED LAMP HOLDERS.

- Rewire fixture as shown below.

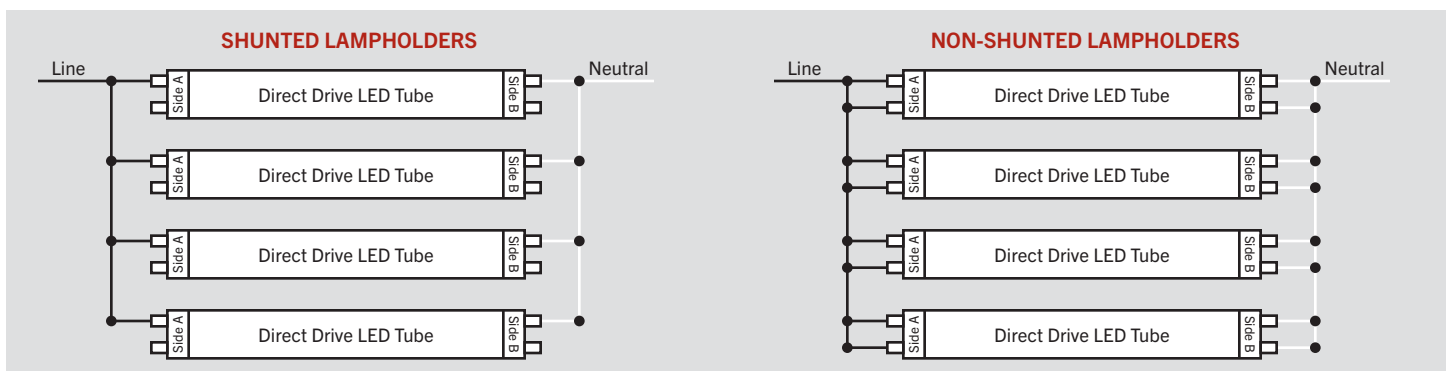


For Single-ended wiring, do not install product in a fixture with shunted lampholders (found in all fixtures using instant start ballasts). If the current lampholders are shunted, remove them and replace them with non-shunted lampholders. Make new connections directly to terminals as indicated above. Keystone can provide any style replacement lampholders. Call us at 800-464-2680.

DOUBLE-ENDED WIRING DIAGRAM

- Cut all existing connections to ballast as shown below and remove ballast. See *Figure A* above for typical ballast configurations.
- Re-wire fixture as shown below. For double-ended wiring, use either shunted or non-shunted lampholders.

NOTE: There should not be any exposed wires at the end of installation.

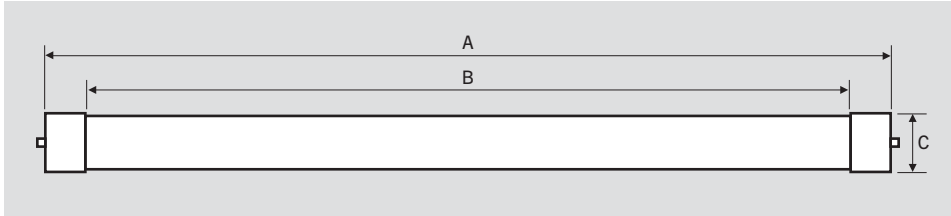




KT-LED25T8-48G-830-DX2

T8 LED LAMP

PHYSICAL CHARACTERISTICS



LAMP DIMENSIONS

A (Body Length)	47.15"
B (Illuminated Length)	42.63"
C (Diameter)	1.10"

NOMINAL LENGTH: 48"

BASE TYPE: G13 (Medium Bi-Pin)

ORDERING INFORMATION

ORDER CODE	PACK QTY.	EASY CODE	UPC
KT-LED25T8-48G-830-DX2-CP	25	TBD	TBD
KT-LED25T8-48G-835-DX2-CP	25	KIG-04	843654123219
KT-LED25T8-48G-840-DX2-CP	25	EPY-41	843654123226
KT-LED25T8-48G-850-DX2-CP	25	TME-40	843654123233
KT-LED25T8-48G-865-DX2-CP	25	TBD	TBD

CATALOG NUMBER BREAKDOWN

KT-LED25T8-48G-8XX-DX2-CP

1 2 3 4 5 6 7 8 9 10

- 1 Keystone Technologies
- 2 LED Lamp
- 3 Wattage
- 4 Lamp Type
- 5 Nominal Length (Inches)
- 6 Glass Construction
- 7 80 CRI
- 8 Color Temperature
- 9 Single- or Double-Ended Wiring
- 10 Packaging Style