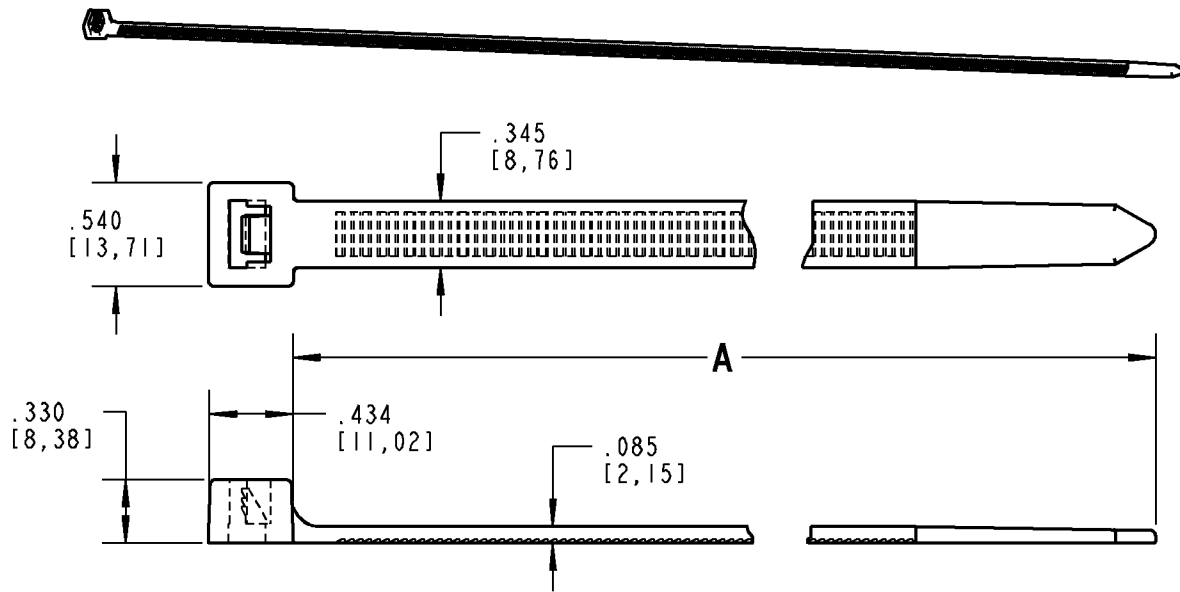




Catamount®



NOTES:


1. MATERIAL: NYLON 6,6
2. FLAMMABILITY: UL94V-2
3. OPERATING TEMPERATURE RANGE: -40°F [-40°C] TO 185°F [85°C]
4. MINIMUM TENSILE RATING: 175 LBS [778 N]
5. MAXIMUM WIRE BUNDLE: SEE TABLE
6. FOR USE WITH UL LISTED NON-METALLIC AIR DUCTS AND AIR CONNECTORS
7. INSTALLATION TOOL: L-300
8. STANDARD PACKAGE QUANTITY: 50

CATALOG NUMBER	MAXIMUM WIRE BUNDLE	A
L-24-175-*-L	7.200 [182,88]	23.946 [608,22]
L-34-175-*-L	10.000 [254]	33.686 [855,62]
L-36-175-*-L	10.750 [273,05]	36.376 [923,37]
L-41-175-*-L	12.000 [304,8]	40.566 [1030,37]
L-48-175-*-L	15.000 [381]	47.566 [1208,17]

* = COLOR CODE:

0 = BLACK	4 = YELLOW	8 = GRAY	17 = FLUORESCENT YELLOW
1 = BROWN	5 = GREEN	9 = NATURAL	18 = FLUORESCENT GREEN
2 = RED	6 = BLUE	11 = FLUORESCENT PINK	20 = FLUORESCENT BLUE
3 = ORANGE	7 = PURPLE	16 = FLUORESCENT ORANGE	

FLUORESCENT COLORS NOT "UL" LISTED OR RECOGNIZED

GENERAL NOTES		 DESCRIPTION: 24", 34", 36", 41" & 48" SERIES 175 EXTRA HEAVY DUTY CABLE TIES			
1. ALL DIMENSIONS ARE FOR REFERENCE ONLY. 2. DIMENSIONS IN BRACKETS [] ARE IN METRIC UNITS.					
REVISIONS		ORIGINAL PROJECT NO / (ERN NO)	SHEET NO:	REV. NO:	DRAWING NO:
- SEE ERN (****) FOR APPROVAL SIGNATURES & RELEASE DATE. PROJECT NO: ****		FM401182 / (2007102)	1 OF 1	-	WSD-000289