



ESSENTIAL SERIES

GENERAL PURPOSE LED BULBS

KT-LED5.5FB11-E26-9XX-C

REPLACEMENT LAMP

DESCRIPTION

5.5W B11 Lamp | 2700–3000K | ≥ 90 CRI | Straight-tip Chandelier



LAMP TYPE: Filament B11
BASE TYPE: E26 (Medium)
WATTAGE: 5.5W
COLOR TEMPERATURE: 2700–3000K
COLOR RENDERING INDEX (CRI): ≥ 90
WARRANTY: 3 Years
RATED LIFE: L70 (15,000 Hours)



TYPICAL APPLICATIONS

- Chandeliers
- Vanity Fixtures
- Decorative Accent Lighting
- Wall Sconces
- Pendant Lights

PRODUCT FEATURES

- Energy efficient, 80%+ energy savings over legacy equivalents
- Lower heat generation than legacy equivalents
- Smooth, uniform dimming
- Filament-style LED construction offers unique traditional appearance for decorative and mood-sensitive applications
- HiCRI LEDs offer enhanced color rendering vs. 80 CRI LEDs, providing ideal clarity, representation, uniformity of illuminated area/objects
- Long life minimizes replacement and maintenance costs
- Suitable for use in damp locations
- Operating temperature range $-4^{\circ}\text{F}/-20^{\circ}\text{C}$ to $95^{\circ}\text{F}/35^{\circ}\text{C}$
- PF > 0.70
- Rated for open, recessed, and enclosed fixtures
- ANSI compliant construction ensures fitment for intended applications
- UL Listed
- Meets Energy Star requirements
- Complies with Part 15 of FCC
- Title 20 compliant

ELECTRICAL AND PERFORMANCE SPECIFICATIONS

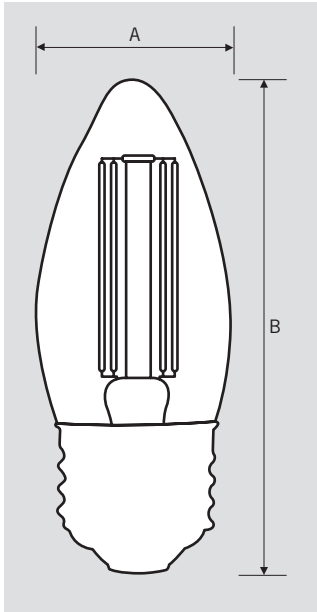
Keystone Catalog Number	Description	Color Temp*	Input Voltage	Rated Lamp Wattage	Legacy Equivalent Wattage	Lumens	Efficacy	CRI	Base Type	Beam Angle	Dimmable
KT-LED5.5FB11-E26-927-C	B11 straight-tip chandelier filament bulb; Clear; Dimmable	2700K	120V	5.5W	60W incandescent	500 lm	91 lm/W	≥ 90	E26	360°	Yes
KT-LED5.5FB11-E26-930-C	B11 straight-tip chandelier filament bulb; Clear; Dimmable	3000K	120V	5.5W	60W incandescent	500 lm	91 lm/W	≥ 90	E26	360°	Yes

* Color Uniformity: CCT (Correlated Color Temperature) range as per guidelines outlined in ANSI C78.377-2017

KT-LED5.5FB11-E26-9XX-C

REPLACEMENT LAMP

PHYSICAL CHARACTERISTICS



LAMP DIMENSIONS

A (Diameter)	1.38"
B (Length)	3.46"

BASE TYPE: E26 (Medium)

RATED LIFE

L70 (Hours)	15,000
-------------	--------

PACKAGING

Carton Quantity	24 pcs
Carton Dimensions	13.00" × 5.10" × 4.72"
Carton Weight	2.65 lbs

ORDERING INFORMATION

ORDER CODE	CARTON QUANTITY	ITEM STATUS	EASY CODE	UPC
KT-LED5.5FB11-E26-927-C	24 pcs	Active	AHR-79	843654123769
KT-LED5.5FB11-E26-930-C	24 pcs	Active	YPH-40	843654129501

CATALOG NUMBER BREAKDOWN

KT-LED5.5FB11-E26-9XX-C

1 2 3 4 5 6 7 8 9

- 1 Keystone Technologies
- 2 LED Lamp
- 3 Wattage
- 4 Filament Bulb
- 5 Lamp Shape
- 6 Base Type
- 7 900 Series
- 8 Color Temperature
- 9 Clear Bulb