



ESSENTIAL SERIES

GENERAL PURPOSE LED BULBS

KT-LED6.5MR16-S-8XX-GU10

REPLACEMENT LAMP

DESCRIPTION

6.5W MR16 Lamp | 2700–5000K | ≥ 80 CRI | Spot Light



3YEAR
WARRANTY

LAMP TYPE: MR16
BASE TYPE: GU10
WATTAGE: 6.5W
COLOR TEMPERATURE: 2700–5000K
COLOR RENDERING INDEX (CRI): ≥ 80
WARRANTY: 3 Years
RATED LIFE: L70 (15,000 Hours)



TYPICAL APPLICATIONS

- Track-lighting
- Display
- Under-cabinet
- Outdoor landscaping (with suitable protection from the elements)

PRODUCT FEATURES

- Energy efficient, 80%+ energy savings over legacy equivalents
- Lower heat generation than legacy equivalents
- Smooth, uniform dimming
- Precision-crafted, full-face optics for precise beam angle control
- Durable plastic housing lowers the risk of breakage
- Long life minimizes replacement and maintenance costs
- Compatible with Keystone low voltage transformers
- Suitable for damp locations
- Operating temperature range $-4^{\circ}\text{F}/-20^{\circ}\text{C}$ to $95^{\circ}\text{F}/35^{\circ}\text{C}$
- PF > 0.70
- Rated for open, recessed, and enclosed fixtures
- ANSI compliant construction ensures fitment for intended applications
- UL Listed
- Meets Energy Star requirements
- Complies with Part 15 of FCC

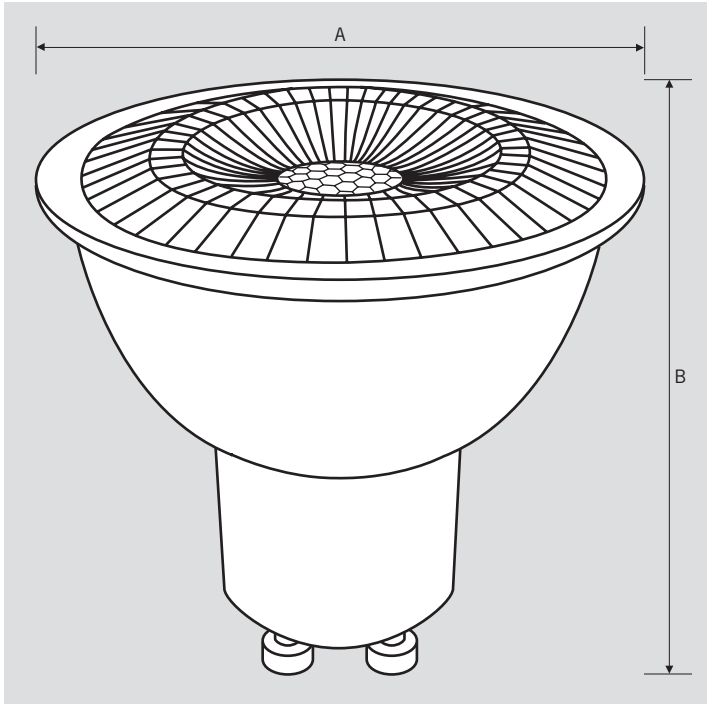
ELECTRICAL AND PERFORMANCE SPECIFICATIONS

Keystone Catalog Number	Description	Color Temp	Input Voltage	Rated Lamp Wattage	Legacy Equivalent Wattage	Lumens	Efficacy	CRI	Base Type	Beam Angle	Dimmable
KT-LED6.5MR16-S-827-GU10	MR16 bulb; Spot light; Dimmable	2700K	120V	6.5W	50W halogen	500 lm	77 lm/W	≥ 80	GU10	40°	Yes
KT-LED6.5MR16-S-830-GU10	MR16 bulb; Spot light; Dimmable	3000K	120V	6.5W	50W halogen	500 lm	77 lm/W	≥ 80	GU10	40°	Yes
KT-LED6.5MR16-S-840-GU10	MR16 bulb; Spot light; Dimmable	4000K	120V	6.5W	50W halogen	500 lm	77 lm/W	≥ 80	GU10	40°	Yes
KT-LED6.5MR16-S-850-GU10	MR16 bulb; Spot light; Dimmable	5000K	120V	6.5W	50W halogen	500 lm	77 lm/W	≥ 80	GU10	40°	Yes

KT-LED6.5MR16-S-8XX-GU10

REPLACEMENT LAMP

PHYSICAL CHARACTERISTICS



LAMP DIMENSIONS

A (Diameter)	1.97"
B (Length)	2.19"

BASE TYPE: GU10

RATED LIFE

L70 (Hours)	15,000
-------------	--------

PACKAGING

Carton Quantity	60 pcs
Carton Dimensions	12.95" × 10.91" × 6.54"
Carton Weight	9.5 lbs

ORDERING INFORMATION

ORDER CODE	CARTON QUANTITY	ITEM STATUS
KT-LED6.5MR16-S-827-GU10	60 pcs	Active
KT-LED6.5MR16-S-830-GU10	60 pcs	Active
KT-LED6.5MR16-S-840-GU10	60 pcs	Active
KT-LED6.5MR16-S-850-GU10	60 pcs	Active

CATALOG NUMBER BREAKDOWN

KT-LED6.5MR16-S-8XX-GU10

1 2 3 4 5 6 7 8 9

- 1 Keystone Technologies
- 2 LED Lamp
- 3 Wattage
- 4 Multi-Faceted Reflector
- 5 Lamp Diameter (16/8")
- 6 Spot Light
- 7 800 Series
- 8 Color Temperature
- 9 Base Type