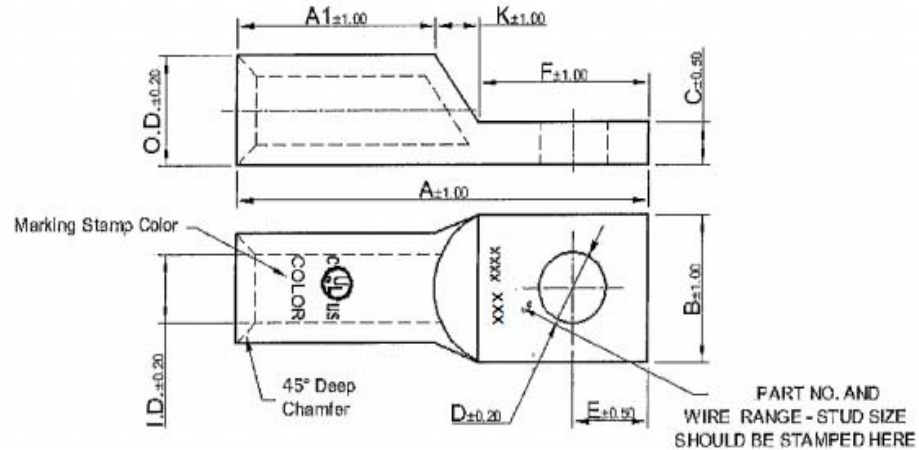


## Copper Long Barrel Compression Lug - L Series

Produced from high conductivity copper tubing, tin plated for corrosion resistance. Color coded and marked with die index information.

Drawn - SD  
Approved - KM  
Material - Copper

Title - Copper Long Barrel One Hole Compression Lug - L Series



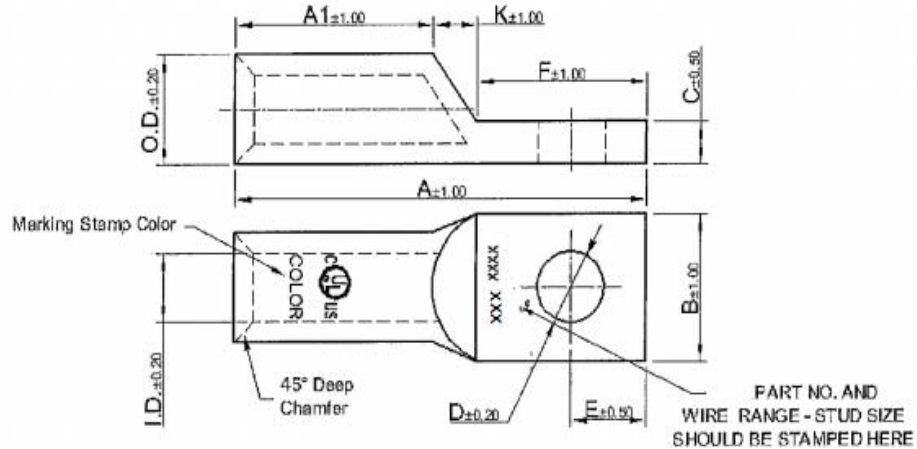
Part Number	Wire Range	Expanded Wire Range	Stud Size	Color Code	I.D Inches	O.D. Inches	A Inches	A1 Inches	B Inches	C Inches	D Inches	E Inches	F Inches	K Inches
L810	8 AWG	8-10 AWG	#10	Red	0.205	0.295	1.520	0.810	0.420	0.080	0.210	0.280	0.590	0.118
L810P	8 AWG	8-10 AWG	#10	Red	0.205	0.295	1.520	0.810	0.420	0.080	0.210	0.280	0.590	0.118
L814	8 AWG	8-10 AWG	1/4"	Red	0.205	0.295	1.520	0.810	0.420	0.080	0.250	0.280	0.590	0.118
L814P	8 AWG	8-10 AWG	1/4"	Red	0.205	0.295	1.520	0.810	0.420	0.080	0.250	0.280	0.590	0.118
L838	8 AWG	8-10 AWG	3/8"	Red	0.205	0.295	1.520	0.810	0.420	0.080	0.413	0.280	0.590	0.118
L838P	8 AWG	8-10 AWG	3/8"	Red	0.205	0.295	1.520	0.810	0.420	0.080	0.413	0.280	0.590	0.118
L610	6 AWG	6-8 AWG	#10	Blue	0.205	0.295	1.770	0.980	0.420	0.083	0.210	0.300	0.640	0.118
L614	6 AWG	6-8 AWG	1/4"	Blue	0.205	0.295	1.772	0.984	0.421	0.083	0.252	0.295	0.669	0.118
L614P	6 AWG	6-8 AWG	1/4"	Blue	0.205	0.295	1.772	0.984	0.421	0.083	0.252	0.295	0.669	0.118
L638	6 AWG	6-8 AWG	3/8"	Blue	0.205	0.295	1.913	0.984	0.591	0.083	0.413	0.370	0.811	0.118
L638P	6 AWG	6-8 AWG	3/8"	Blue	0.205	0.295	1.913	0.984	0.591	0.083	0.413	0.370	0.811	0.118
L656	6 AWG	6-8 AWG	5/16"	Blue	0.205	0.295	1.910	0.980	0.590	0.083	0.330	0.370	0.810	0.118
L656P	6 AWG	6-8 AWG	5/16"	Blue	0.205	0.295	1.910	0.980	0.590	0.083	0.330	0.370	0.810	0.118
L410	4 AWG	4-6 AWG	#10	Gray	0.252	0.343	1.770	0.984	0.488	0.087	0.210	0.315	0.669	0.118
L414	4 AWG	4-6 AWG	1/4"	Gray	0.252	0.343	1.772	0.984	0.488	0.087	0.252	0.315	0.669	0.118
L414P	4 AWG	4-6 AWG	1/4"	Gray	0.252	0.343	1.772	0.984	0.488	0.087	0.252	0.315	0.669	0.118
L438	4 AWG	4-6 AWG	3/8"	Gray	0.252	0.343	1.913	0.984	0.591	0.087	0.413	0.370	0.811	0.118
L438P	4 AWG	4-6 AWG	3/8"	Gray	0.252	0.343	1.913	0.984	0.591	0.087	0.413	0.370	0.811	0.118
L456	4 AWG	4-6 AWG	5/16"	Gray	0.252	0.343	1.772	0.984	0.488	0.087	0.331	0.315	0.669	0.118
L456P	4 AWG	4-6 AWG	5/16"	Gray	0.252	0.343	1.772	0.984	0.488	0.087	0.331	0.315	0.669	0.118

## Copper Long Barrel Compression Lug - L Series

Produced from high conductivity copper tubing, tin plated for corrosion resistance. Color coded and marked with die index information.

Drawn - SD  
Approved - KM  
Material - Copper

Title - Copper Long Barrel One Hole Compression Lug - L Series



Part Number	Wire Range	Expanded Wire Range	Stud Size	Color Code	I.D Inches	O.D. Inches	A Inches	A1 Inches	B Inches	C Inches	D Inches	E Inches	F Inches	K Inches
L314	3 AWG	3-6 AWG	1/4"	White	0.270	0.377	2.344	1.169	0.531	0.097	0.277	0.323	0.828	0.157
L338	3 AWG	3-6 AWG	3/8"	White	0.270	0.377	2.351	1.188	0.550	0.083	0.397	0.418	0.823	0.157
L356	3 AWG	3-6 AWG	5/16"	White	0.270	0.377	2.157	1.120	0.538	0.091	0.336	0.346	0.767	0.157
L214	2 AWG	2-6 AWG	1/4"	Brown	0.315	0.421	2.071	1.102	0.602	0.102	0.252	20.600	0.811	0.157
L214P	2 AWG	2-6 AWG	1/4"	Brown	0.315	0.421	2.071	1.102	0.602	0.102	0.252	20.600	0.811	0.157
L256	2 AWG	2-6 AWG	5/16"	Brown	0.315	0.421	2.071	1.102	0.602	0.102	0.331	0.370	0.811	0.157
L256P	2 AWG	2-6 AWG	5/16"	Brown	0.315	0.421	2.071	1.102	0.602	0.102	0.331	0.370	0.811	0.157
L238	2 AWG	2-6 AWG	3/8"	Brown	0.315	0.421	2.071	1.102	0.602	0.102	0.413	0.370	0.811	0.157
L238P	2 AWG	2-6 AWG	3/8"	Brown	0.315	0.421	2.071	1.102	0.602	0.102	0.413	0.370	0.811	0.157
L156	1 AWG	1-6 AWG	5/16"	Green	0.358	0.469	2.110	1.102	0.673	0.106	0.331	0.370	0.811	0.197
L138	1 AWG	1-6 AWG	3/8"	Green	0.358	0.469	2.209	1.102	0.673	0.106	0.413	0.370	0.811	0.197
L1014	1/0 AWG	1/0-6 AWG	1/4"	Pink	0.390	0.520	2.210	1.201	0.744	0.126	0.210	0.370	0.811	0.236
L1014P	1/0 AWG	1/0-6 AWG	1/4"	Pink	0.390	0.520	2.210	1.201	0.744	0.126	0.210	0.370	0.811	0.236
L1038	1/0 AWG	1/0-6 AWG	3/8"	Pink	0.390	0.520	2.209	1.201	0.744	0.126	0.413	0.370	0.811	0.236
L1038P	1/0 AWG	1/0-6 AWG	3/8"	Pink	0.390	0.520	2.209	1.201	0.744	0.126	0.413	0.370	0.811	0.236
L1048	1/0 AWG	1/0-6 AWG	1/2"	Pink	0.390	0.520	2.500	1.201	0.744	0.126	0.512	0.472	1.063	0.236
L1056	1/0 AWG	1/0-6 AWG	5/16"	Pink	0.390	0.520	2.210	1.201	0.744	0.126	0.330	0.370	0.811	0.236
L1056P	1/0 AWG	1/0-6 AWG	5/16"	Pink	0.390	0.520	2.210	1.201	0.744	0.126	0.330	0.370	0.811	0.236
L2014	2/0 AWG	2/0-4 AWG	1/4"	Black	0.441	0.563	2.677	1.378	0.815	0.118	0.252	0.472	1.063	0.236
L2014P	2/0 AWG	2/0-4 AWG	1/4"	Black	0.441	0.563	2.677	1.378	0.815	0.118	0.252	0.472	1.063	0.236
L2038	2/0 AWG	2/0-4 AWG	3/8"	Black	0.441	0.563	2.677	1.378	0.815	0.118	0.413	0.472	1.063	0.236
L2038P	2/0 AWG	2/0-4 AWG	3/8"	Black	0.441	0.563	2.677	1.378	0.815	0.118	0.413	0.472	1.063	0.236
L2048	2/0 AWG	2/0-4 AWG	1/2"	Black	0.441	0.563	2.677	1.378	0.815	0.118	0.512	0.472	1.063	0.236
L2048P	2/0 AWG	2/0-4 AWG	1/2"	Black	0.441	0.563	2.677	1.378	0.815	0.118	0.512	0.472	1.063	0.236

## Copper Long Barrel Compression Lug - L Series

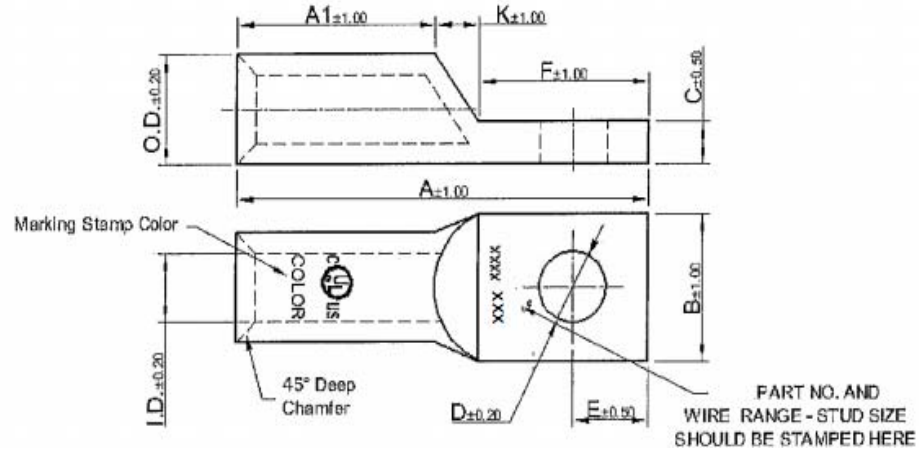
Produced from high conductivity copper tubing, tin plated for corrosion resistance. Color coded and marked with die index information.

Drawn - SD

Approved - KM

Material - Copper

Title - Copper Long Barrel One Hole Compression Lug - L Series



Part Number	Wire Range	Expanded Wire Range	Stud Size	Color Code	I.D Inches	O.D. Inches	A Inches	A1 Inches	B Inches	C Inches	D Inches	E Inches	F Inches	K Inches
L3014	3/0 AWG	3/0-2 AWG	1/4"	Orange	0.492	0.622	2.795	1.378	0.902	0.126	0.252	0.472	1.063	0.315
L3014P	3/0 AWG	3/0-2 AWG	1/4"	Orange	0.492	0.622	2.795	1.378	0.902	0.126	0.252	0.472	1.063	0.315
L3038	3/0 AWG	3/0-2 AWG	3/8"	Orange	0.492	0.622	2.795	1.378	0.902	0.126	0.413	0.472	1.063	0.315
L3038P	3/0 AWG	3/0-2 AWG	3/8"	Orange	0.492	0.622	2.795	1.378	0.902	0.126	0.413	0.472	1.063	0.315
L3048	3/0 AWG	3/0-2 AWG	1/2"	Orange	0.492	0.622	2.795	1.378	0.902	0.126	0.512	0.472	1.063	0.315
L3048P	3/0 AWG	3/0-2 AWG	1/2"	Orange	0.492	0.622	2.795	1.378	0.902	0.126	0.512	0.472	1.063	0.315
L4014	4/0 AWG	4/0-1 AWG	1/4"	Purple	0.547	0.689	2.795	1.417	1.000	0.134	0.252	0.520	1.063	0.315
L4014P	4/0 AWG	4/0-1 AWG	1/4"	Purple	0.547	0.689	2.795	1.417	1.000	0.134	0.252	0.520	1.063	0.315
L4038	4/0 AWG	4/0-1 AWG	3/8"	Purple	0.547	0.689	2.795	1.417	1.000	0.134	0.413	0.520	1.063	0.315
L4038P	4/0 AWG	4/0-1 AWG	3/8"	Purple	0.547	0.689	2.795	1.417	1.000	0.134	0.413	0.520	1.063	0.315
L4048	4/0 AWG	4/0-1 AWG	1/2"	Purple	0.547	0.689	2.795	1.417	1.000	0.134	0.512	0.520	1.063	0.315
L4048P	4/0 AWG	4/0-1 AWG	1/2"	Purple	0.547	0.689	2.795	1.417	1.000	0.134	0.512	0.520	1.063	0.315
L25048	250	250 MCM-1/0 AWG	1/2"	Yellow	0.594	0.752	3.031	1.614	1.091	0.150	0.512	0.520	1.063	0.354
L30048	300	300 MCM-2/0 AWG	1/2"	White	0.657	0.815	3.386	1.969	1.189	0.150	0.512	0.520	1.063	0.354
L35048	350	350 MCM-3/0 AWG	1/2"	Red	0.701	0.874	3.465	1.969	1.276	0.165	0.512	0.520	1.063	0.433
L40048	400	400 MCM-4/0 AWG	1/2"	Blue	0.764	0.949	3.858	1.969	1.386	0.177	0.512	0.512	1.378	0.512
L50048	500	500-250 MCM	1/2"	Brown	0.835	1.063	4.134	2.244	1.539	0.217	0.512	0.512	1.378	0.512
L50058	500	500-250 MCM	5/8"	Brown	0.835	1.063	4.134	2.244	1.539	0.217	0.669	0.512	1.378	0.512
L60058	600	600-250 MCM	5/8"	Green	0.925	1.189	4.252	2.244	1.717	0.252	0.669	0.689	1.457	0.551
L75048	750	750-500 MCM	1/2"	Black	1.031	1.311	5.157	2.638	1.902	0.268	0.512	0.689	1.850	0.669
L75058	750	750-500 MCM	5/8"	Black	1.031	1.311	5.157	2.638	1.902	0.268	0.669	0.689	1.850	0.669
L10058	1000 MCM	-	5/8"	White	1.184	1.494	5.613	2.603	2.148	0.328	0.663	0.866	1.776	0.68