

DESCRIPTION

The Halo LA56 LED Adjustable Downlight series are adjustable LED Modules for 5" or 6" aperture recessed downlights. The LA56 gimbals feature adjustment of 35-degree tilt and up to 360-degree rotation. The lens provides uniform illumination and wet location listing. Precision construction makes any housing AIR-TITE for added savings and code compliance.

| | | |
|-------------|--|------|
| Catalog # | | Type |
| Project | | |
| Comments | | Date |
| Prepared by | | |

SPECIFICATION FEATURES

Module - Trim

- Module construction includes LED Array, heat sink, reflector, lens, baffle and trim ring.
- Heat sink designed to conduct heat away from the LED Array, keeping the junction temperatures below specified maximums, even when installed in insulated ceiling environments

Lens

- Regressed lens
- Impact-resistant polycarbonate
- Diffusing for even illumination

LED Array

- Mid power LED array provides a uniform source with high efficiency and no pixilation.
- 90 CRI minimum, R9 greater than 50
- Color accuracy within 3 SDCM provide color accuracy and uniformity.
- Color Temperatures (CCT) available in 2700K, 3000K, 3500K, 4000K, or 5000K

Optical Assembly

- Regressed lens
- Impact-resistant polycarbonate
- Diffuse for even illumination

Driver

- Integral 120V 60 Hz constant current driver provides noise free operation
- Continuous, flicker-free dimming from 100% to 10%.
- Inline electrical quick connect and E26 adapter (provided) provides mains connections
- Consult instruction sheets for more information

Retention

- Torsion springs are pre-installed and adjust to fit 5" or 6" compatible housings

Gaskets

- Closed cell gaskets achieve restrictive airflow requirements without additional caulking

Compliance

- UL Certified
- Wet and Damp location listed.
- Airtight certified per ASTM-E283
- Suitable for use in clothes closets when installed in accordance with the NEC 410.16 spacing requirements
- EMI/RFI emissions per FCC 47CFR Part 15 consumer limits
- Contains no mercury or lead and RoHS compliant
- Photometric testing in accordance with IES LM-79-08
- Lumen maintenance projections in accordance with IES LM-80-08 and TM-21-11
- Can be used for State of California Title 24 high efficacy luminaire compliance. Complies with Title 24 JA8-2016-E.
- Can be used International Energy Conservation Coe (IECC) and Washington State Energy Code high efficiency luminaire compliance.
- ENERGY STAR® listed, reference database for current listings

Warranty

- Five year limited warranty, consult website for details. www.cooperlighting.com



LA56

5 and 6-inch All-Purpose LED Adjustable Downlight

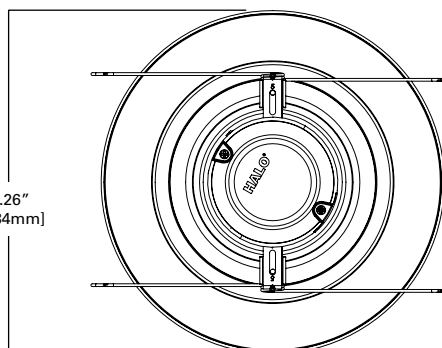
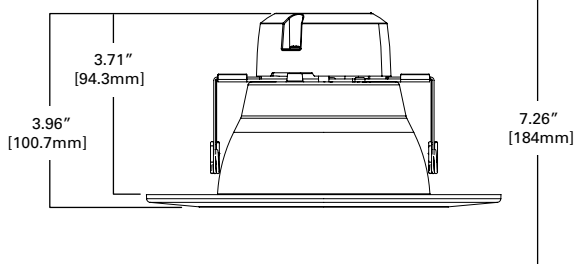
600 Series

For use in insulated ceiling and non-insulated ceiling rated housings

High-efficacy LED with integral driver - dimmable



Refer to ENERGY STAR® Certified Products List. Can be used to comply with California Title 24 High Efficacy requirements. Certified to California Appliance Efficiency Database under JA8. *5000K is not covered under T24.



ENERGY DATA

| | |
|-----------------------|------------|
| Lumens | 600 Series |
| Input Voltage | 120V |
| Input Current | 74 (mA) |
| Input Power | 8.6 (W) |
| Inrush (A) | 1.1 |
| THD: ≤ 20% | |
| PF: ≥ 0.90 | |
| T Ambient -30 - +40°C | |
| Sound Rating ≤ 22dba | |

ORDERING INFORMATION

SAMPLE NUMBER: LA56069301EWH

A complete luminaire consists of a housing and LED module, order separately

| Models | Lumens | CRI / CCT | Driver | Finish |
|---|--------------------------------|---|--|--------------------------------|
| LA56 = 5-Inch/6-Inch LED Adjustable Gimbal | 06 =600 lumen (nominal) | 927 =90 CRI, 2700K 930 =90 CRI, 3000K 935 =90 CRI, 3500K 940 =90 CRI, 4000K 950 =90 CRI, 5000K | 1E = 120V 60Hz leading or trailing edge phase cut 10% dimming | WH = matte white baffle |

Housings

Halo LED 5-inch

H550ICAT= 5" LED, Insulated Ceiling, Air-Tite, New Construction Housing
H550RICAT= 5" LED, Insulated Ceiling, Air-Tite, Remodel Housing
E550ICAT= 5" LED, Insulated Ceiling, Air-Tite, New Construction Housing
E550RICAT= 5" LED, Insulated Ceiling, Air-Tite, Remodel Housing

Halo LED 6-inch

H750ICAT= 6" LED, Insulated Ceiling, Air-Tite, New Construction Housing
H750RICAT= 6" LED, Insulated Ceiling, Air-Tite, Remodel Housing
H750T= 6" LED, Non-IC, Air-Tite, New Construction Housing
H750TCP= 6" LED, Non-IC, New Construction/Remodel Chicago Plenum Housing
H2750ICAT= 6" LED, Shallow, Insulated Ceiling, Air-Tite, New Construction (use with 691X, 694X, 696X trims only)
H2750RICAT= 6" LED, Shallow, Insulated Ceiling, Air-Tite, Remodel (use with 691X, 694X, 696X trims only)
E750ICAT= 6" LED, Insulated Ceiling, Air-Tite, New Construction Housing
E750RICAT= 6" LED, Insulated Ceiling, Air-Tite, Remodel Housing

Halo LED retrofit

ML7E26RFK= 6" Retrofit Enclosure, Non-IC, E26 Screw base Interface
ML7BXFK= 6" Retrofit Enclosure, Non-IC, BX Whip

Halo Shallow Housings 5-inch

H25ICAT= 5" Shallow, Insulated Ceiling, Air-Tite New Construction
H25RICAT= 5" Shallow, Insulated Ceiling, Air-Tite Remodel
H25ICATNB= 5" Shallow, Insulated Ceiling, Air-Tite New Construction, No Socket Bracket

Halo Shallow Housings 6-inch

H27ICAT= 6" Shallow, Insulated Ceiling, Air-Tite New Construction
H27RICAT= 6" Shallow, Insulated Ceiling, Air-Tite Remodel Housing
H27T= 6" Shallow, Non-IC, New Construction Housing
H27RT= 6" Shallow, Non-IC, Remodel Housing
E27ICAT= 6" Shallow, Insulated Ceiling, Air-Tite New Construction
E27RICAT= 6" Shallow, Insulated Ceiling, Air-Tite Remodel Housing
E27TAT= 6" Shallow, Non-IC, New Construction Housing
E27RTAT= 6" Shallow, Non-IC, Remodel Housing

Halo Standard Housings 5-inch

H5ICAT= 5" Insulated Ceiling, Air-Tite New Construction Housing
H5RICAT= 5" Insulated Ceiling, Air-Tite Remodel Housing
H5ICATNB= 5" Insulated Ceiling, Air-Tite New Construction Housing, No Socket Bracket
H5T= 5" Non-IC, New Construction Housing
H5RT= 5" Non-IC, Remodel Housing
H5TNB= 5" Non-IC, New Construction Housing, No Socket Bracket
E5ICAT= 5" Insulated Ceiling, Air-Tite New Construction Housing
E5RICAT= 5" Insulated Ceiling, Air-Tite Remodel Housing
E5ICATNB= 5" Insulated Ceiling, Air-Tite New Construction Housing, No Socket Bracket
E5TAT= 5" Non-IC, New Construction Housing
E5RTAT= 5" Non-IC, Remodel Housing
E5TATNB= 5" Non-IC, New Construction Housing, No Socket Bracket

Halo Standard Housings 6-inch

H7ICAT= 6" Insulated Ceiling, Air-Tite New Construction Housing
H7RICAT= 6" Insulated Ceiling, Air-Tite Remodel Housing
H7ICT= 6" Insulated Ceiling, New Construction Housing
H7RICT= 6" Insulated Ceiling, Remodel Housing
H7ICATNB= 6" Insulated Ceiling, Air-Tite New Construction Housing, No Socket Bracket
H7ICTNB= 6" Insulated Ceiling, New Construction Housing, No Socket Bracket
H7T= 6" Non-IC, New Construction Housing
H7RT= 6" Non-IC, Remodel Housing
H7TNB= 6" Non-IC, New Construction Housing, No Socket Bracket
H7TCP= 6" Non-IC, Chicago Plenum, New Construction/Remodel Housing
H7UICAT= 6" Insulated Ceiling, Universal, Air-Tite, New Construction Housing
E7ICAT= 6" Insulated Ceiling, Air-Tite Remodel Housing
E7ICATNB= 6" Insulated Ceiling, Air-Tite New Construction Housing, No Socket Bracket
E7TAT= 6" Non-IC, New Construction Housing
E7RTAT= 6" Non-IC, Remodel Housing
E7TATNB= 6" Non-IC, New Construction Housing, No Socket Bracket

LA56 Series LED Retrofit is UL Classified for retrofit in the following 5"/6" recessed housings:

The LA56 Series LED light module - trim combination is UL Certified for use with any 5"/6" diameter recessed housing constructed of steel or aluminum with an internal volume that exceeds 107.9 in³ in addition to those noted above.

Product Specifications

| PRODUCT SPECIFICATIONS | |
|--|-------|
| Lumens | 614 |
| Watts | 8.6 |
| Lumens Per Watt (Efficacy) | 71.4 |
| Color Accuracy (CRI) | 91 |
| Light Color (CCT) | 2700K |
| Correlated Color Temperature (CCT) | |
| | |
| warm white soft white bright white | |

| PRODUCT SPECIFICATIONS | |
|--|-------|
| Lumens | 637 |
| Watts | 8.7 |
| Lumens Per Watt (Efficacy) | 73.3 |
| Color Accuracy (CRI) | 92 |
| Light Color (CCT) | 3000K |
| Correlated Color Temperature (CCT) | |
| | |
| warm white soft white bright white | |

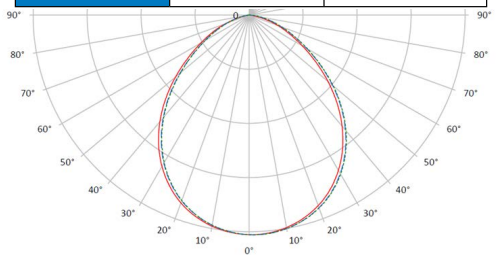
| PRODUCT SPECIFICATIONS | |
|--|-------|
| Lumens | 640 |
| Watts | 8.6 |
| Lumens Per Watt (Efficacy) | 74.4 |
| Color Accuracy (CRI) | 92 |
| Light Color (CCT) | 3500K |
| Correlated Color Temperature (CCT) | |
| | |
| warm white soft white bright white | |

| PRODUCT SPECIFICATIONS | |
|--|-------|
| Lumens | 640 |
| Watts | 8.6 |
| Lumens Per Watt (Efficacy) | 74.4 |
| Color Accuracy (CRI) | 92 |
| Light Color (CCT) | 4000K |
| Correlated Color Temperature (CCT) | |
| | |
| warm white soft white bright white | |

| PRODUCT SPECIFICATIONS | |
|--|-------|
| Lumens | 630 |
| Watts | 8.6 |
| Lumens Per Watt (Efficacy) | 73.3 |
| Color Accuracy (CRI) | 92 |
| Light Color (CCT) | 5000K |
| Correlated Color Temperature (CCT) | |
| | |
| warm white soft white bright white | |

Photometric Data*

| LA56069301EWH | | |
|-----------------------|----------|----------|
| Luminaire lumens | | 637 |
| Input watts | | 8.7 |
| LER (LPW) | | 73.2 |
| Spacing Criteria | 0-180 | 1.22 |
| | 90-270 | 1.25 |
| | Diagonal | 1.28 |
| Beam angle (degrees) | | 95.4 |
| Field angle (degrees) | | 146.4 |
| Zonal lumen | Lumens | % Lumens |
| 0-30 | 215 | 33.8 |
| 0-40 | 344 | 54 |
| 0-60 | 555 | 87.1 |
| 0-90 | 637 | 100 |



* Tested in accordance with IES LM63. Field results may vary.