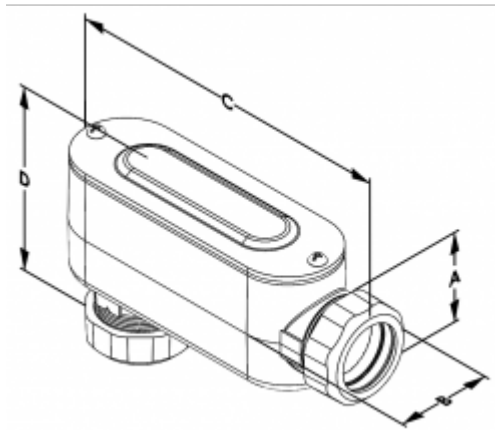
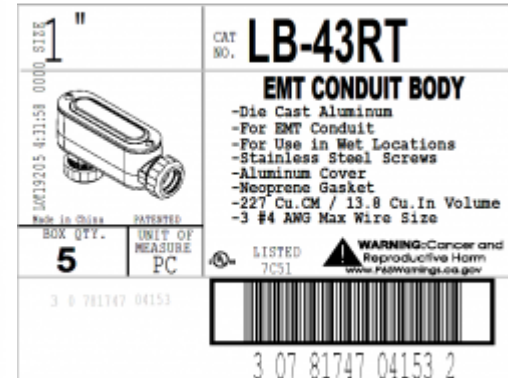


EMT Conduit Body With Integral Raintight Connector, Type LB, Set Screw, Aluminum, Size 1 Inch

Bridgeport's LB Conduit Bodies with Integral Raintight Connectors allows access to the interior of a conduit system for inspection, pulling and maintenance, without needing to thread connectors into a conduit body entry. These conduit bodies come with stainless steel screws, an aluminum cover, and a neoprene gasket. 227 cubic cm / 13.8 cubic in volume 3 #4 AWG Max Wire Size


[Download Photo](#)

[Download Drawing](#)

[Download Drawing](#)

Product details

Catalog Number:	LB-43RT
UPC Number:	78174704153
Primary Materials:	Aluminum
Trade Size:	1"
Unit Quantity:	5
Standard Package Quantity:	30

Dimensions

Trade Size:	1"
Dimensions A:	1.7
Dimensions B:	1.816
Dimensions C:	6.279
Dimensions D:	3.488

Certifications & Codes

Federal Specification Number: A-A-50552

UL File Number: E11077

UNSPSC: 39131708

Nema Standard: FB-1

UL Standard: UL-514B