



ELLIOTT ELECTRIC SUPPLY

We Deliver...Lower Cost, Quality Products, & Personal Service

3804 South Street
75964-7263, TX Nacogdoches
Phone: 936-569-7941
Fax: 936-560-4685



LCAS3038X 3/0AWG 1HOLE Lug *Panduit Corporation*

Catalog Number	LCAS3038X
Manufacturer	Panduit Corporation
Description	
Weight per unit	1.0 (lbs/each)
Product Category	Large Terminals & Connectors

Features

angle	Straight
Barrel Type	Short Barrel Length with Inspection Window
Material	Tin-Plated Copper
Number of Holes	1 PH
Stud Size	42950.00 IN
Voltage Rating	35k Im

Material, Color, and Finish

Color	ORANGE
-------	--------

Dimensions and Weight

Size	3/0 AWG Code
------	--------------

Descriptions

Description	3/0AWG 1HOLE LUG
Product Type	Culug, 3/0AWG, Short, 3/8studpkg10
Special Features	Consult cable manufacturer for voltage stress relief instructions with applications greater than 2000 V

Manufacturer Information

Brand	PANDUIT CORPORATION
GTIN	00074983225071
Manufacturers Part Number	LCAS3/0-38-X
sub brand	Type LCAS
UPC	074983225071

Taxonomies, Classifications, and Categories

Category Description	Comp & Mech Lugs and Butt Splices
Type	Tin-Plated Copper Compression Connectors - Lugs

Packaging

Carton	10
Package	1
Weight Per each	1



ELLIOTT ELECTRIC SUPPLY

We Deliver...Lower Cost, Quality Products, & Personal Service

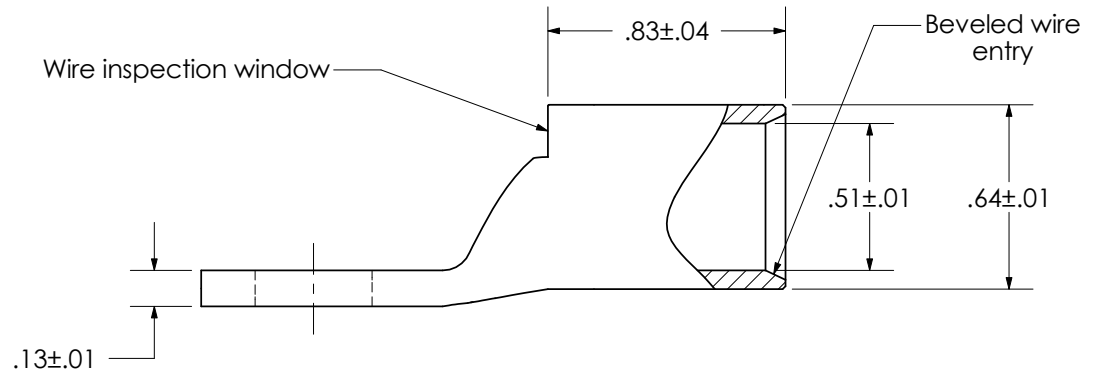
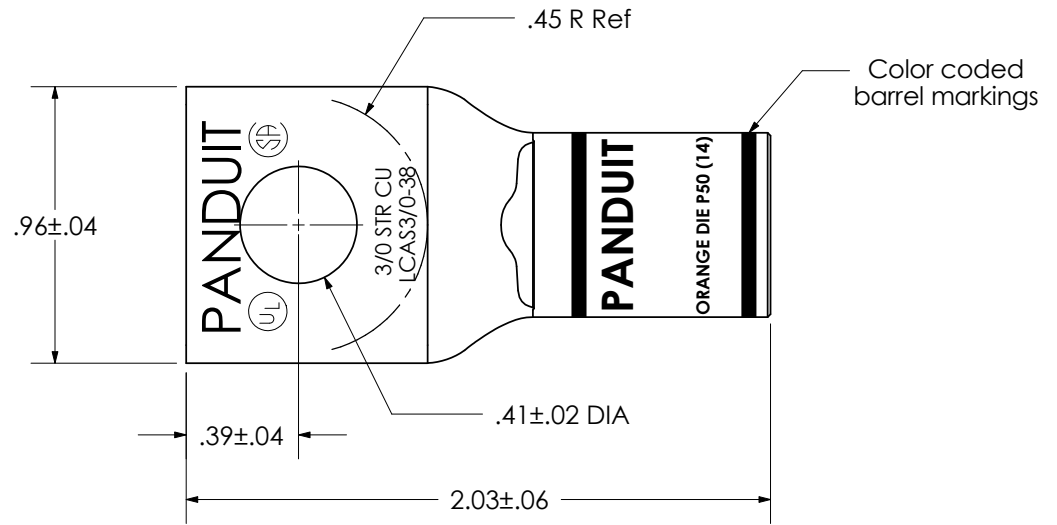
3804 South Street
75964-7263, TX Nacogdoches
Phone: 936-569-7941
Fax: 936-560-4685

Uses, Certifications, and Standards

Mounting	7/8 IN
standard	C22.2 No. 65-13, 486A-486B File #E52164

THIS COPY IS PROVIDED ON A RESTRICTED BASIS AND IS NOT TO BE USED IN ANY WAY DETRIMENTAL TO THE INTERESTS OF PANDUIT CORP.

Material	High Conductivity Seamless Copper Tube
Plating	Electro-Tin
Wire Size	3/0 AWG
Wire Type	Stranded Copper; Class B: Compact, Compressed or Concentric, Class C: Concentric
Wire Strip Length	7/8 in.
Stud Size	3/8 in.
UL Listed Wire Connector	Yes, for applications up to 35kv. Consult cable manufacturer for voltage stress relief instructions with applications greater than 2000 volts.
UL Temperature Rating	90° C
C.S.A Certified Wire Connector	Yes
Panduit Color Code on Barrel	ORANGE
Panduit Die Index No. on Barrel	P50
Alternate Industry Die Index No. () on Barrel	(14)



01	11/10	JHNU	JHNU	REMOVED NAVY NUMBER FROM STAMP	
REV	DATE	BY	CHK	DESCRIPTION	ECN

PANDUIT CORP. TINLEY PARK, ILLINOIS

LCAS3/0-38-X
Copper Lug - One-Hole, Short Barrel

SCALE N/A DRAWING NO / CAD FILE LCAS3_0-38-CUST