



ELLIOTT ELECTRIC SUPPLY

We Deliver...Lower Cost, Quality Products, & Personal Service

3804 South Street
75964-7263, TX Nacogdoches
Phone: 936-569-7941
Fax: 936-560-4685



LCC25012WX 2HL Cu LNG BRL LG *Panduit Corporation*

Catalog Number	LCC25012WX
Manufacturer	Panduit Corporation
Description	
Weight per unit	3.0 (lbs/each)
Product Category	Large Terminals & Connectors

Features

angle	Straight
Barrel Type	Long Barrel Length with Inspection Window
Material	Tin-Plated Copper
Number of Holes	2 in
Stud Size	78211668098
Voltage Rating	35k Im

Material, Color, and Finish

Color	Yellow Handle
-------	---------------

Dimensions and Weight

Size	250 kcmil Code
------	----------------

Descriptions

Description	2HL CU LNG BRL LG
Product Type	Lglug, 250MCM, 1.75IN Space, WDW, PK10
Special Features	Consult cable manufacturer for voltage stress relief instructions with applications greater than 2000 V

Manufacturer Information

Brand	PANDUIT CORPORATION
GTIN	00074983798360
Manufacturers Part Number	LCC250-12W-X
sub brand	Type LCC
UPC	074983798360

Taxonomies, Classifications, and Categories

Category Description	Comp & Mech Lugs and Butt Splices
Type	Tin-Plated Copper Compression Connectors - Lugs



ELLIOTT ELECTRIC SUPPLY

We Deliver...Lower Cost, Quality Products, & Personal Service

3804 South Street
75964-7263, TX Nacogdoches
Phone: 936-569-7941
Fax: 936-560-4685

Packaging

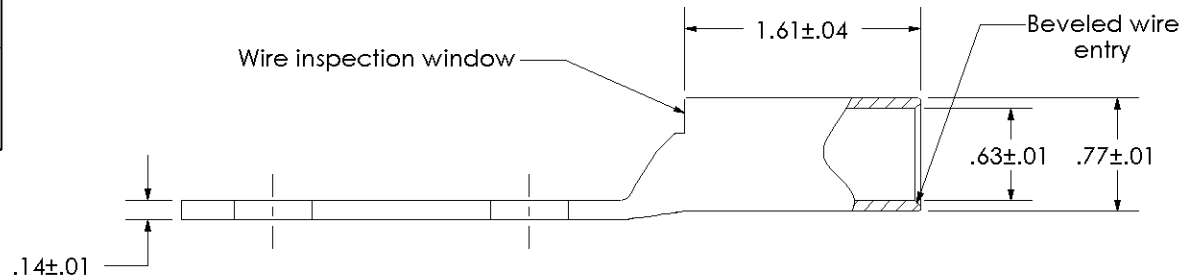
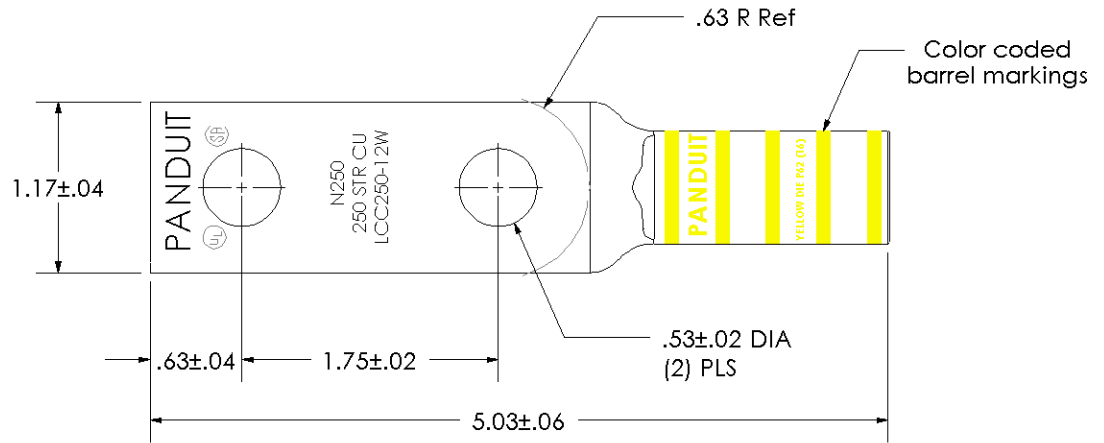
Carton	10
Package	1
Weight Per each	3

Uses, Certifications, and Standards

Mounting	1.69 In
----------	---------

THIS COPY IS PROVIDED ON A RESTRICTED BASIS AND IS NOT TO BE USED IN ANY WAY DETRIMENTAL TO THE INTERESTS OF PANDUIT CORP.

Material	High Conductivity Seamless Copper Tube
Plating	Electro-Tin
Wire Size	250 kcmil
Wire Type	Stranded Copper; Class B: Compact, Compressed or Concentric, Class C: Concentric
Wire Strip Length	1-11/16 in.
Stud Size	1/2 in.
UL Listed Wire Connector	Yes, for applications up to 35kv. Consult cable manufacturer for voltage stress relief instructions with applications greater than 2000 volts.
UL Temperature Rating	90° C
C.S.A Certified Wire Connector	Yes
Panduit Color Code on Barrel	YELLOW
Panduit Die Index No. on Barrel	P62
Alternate Industry Die Index No. () on Barrel	(16)



PANDUIT CORP. TINLEY PARK, ILLINOIS

LCC250-12W-X
Copper Lug - Two-Hole, Long Barrel with Window

00	9/02	SAB	DRL	RELEASED	10340
REV	DATE	BY	CHK	DESCRIPTION	ECN

SCALE N/A DRAWING NO / CAD FILE LCC250-12W-CUST