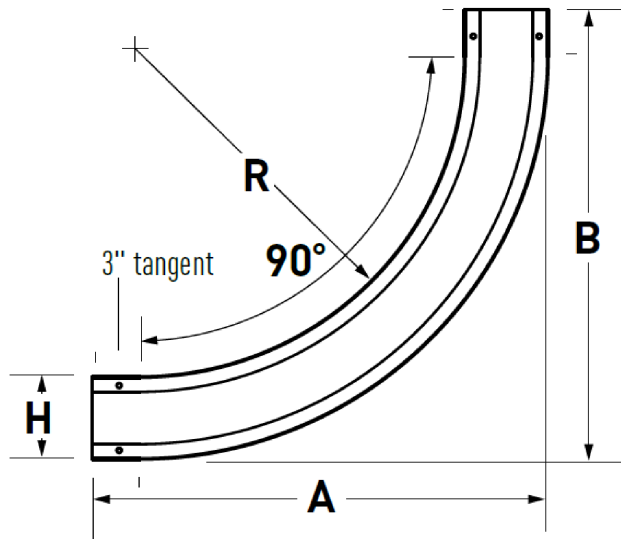
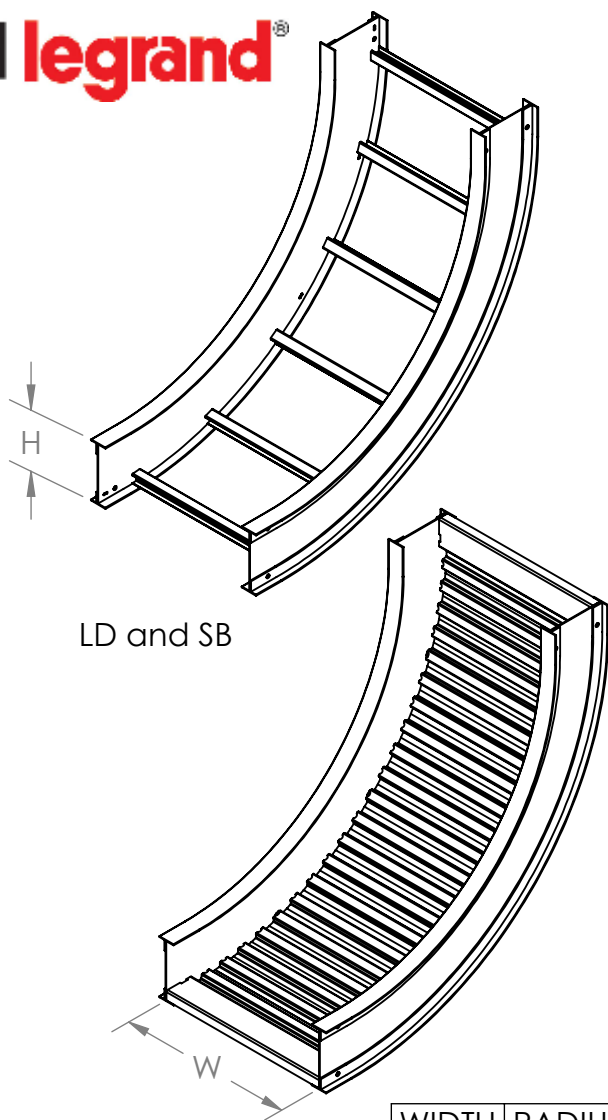




PW Ladder Cable Tray Vertical Fitting

90VI

Vertical Inside 90° Elbow



VC and SC

		H=4		H=5		H=6		H=7	
WIDTH W	RADIUS R	A	B	A	B	A	B	A	B
ALL	12	19	19	20	20	21	21	22	22
	24	31	31	32	32	33	33	34	34
	36	43	43	44	44	45	45	46	46

ITRAY VERTICAL INSIDE ELBOW CATALOG NUMBERING EXAMPLE:

BOTTOM TYPE	LD-4 A-90VI 12-09	WIDTH
VENTED		06-6"
LD - Ladder Rung		09-9"
VC - Vented Corrugated		12-12"
NON-VENTED		18-18"
SC - Solid Corrugated		24-24"
SB - Solid Bottom		30-30"
		36-36"

RAIL HEIGHT: 4-4", 5-5", 6-6", 7-7"

FITTING CODE: 90VI

RADIUS: 12-12", 24-24", 36-36"

MATERIAL: A

- **Material:** Aluminum Alloy 6063 and 5052
- **Finish:** Plain
- **Bottom:** LD: 1" wide rung
SB: Flat sheet over Rung
SC: Solid Corrugated
VC: Vented Corrugated
- **Construction:** Welded
- **Tray Design:** Tray construction and markings are per the latest edition of NEMA Standards Publication VE1, CSA C22.2 No. 126
- **Connectors:** All fittings are supplied with necessary connectors and fasteners
- **Fitting heights (H):** 4", 5", 6", 7"