



ESSENTIAL SERIES

GENERAL PURPOSE LED BULBS

KT-LED10PAR30S-F-8XX

REPLACEMENT LAMP



RoHS Compliant

3 YEAR WARRANTY

DESCRIPTION

10W PAR30 Lamp | 2700–5000K | >80 CRI | Standard Short Neck Flood

LAMP TYPE: PAR30
BASE TYPE: E26 (Medium)
WATTAGE: 10W
COLOR TEMPERATURE: 2700–5000K
COLOR RENDERING INDEX (CRI): >80
WARRANTY: 3 Years
RATED LIFE: L70 (25,000 Hours)



TYPICAL APPLICATIONS

- Track Lighting
- Display
- Flood and SpotLighting
- Outdoor fixtures (with suitable protection from the elements)

PRODUCT FEATURES

- Energy Efficient, 80%+ Energy Savings over Legacy Equivalents
- Lower Heat Generation than Legacy Equivalents
- PF >0.70
- Complies with Part 15 of FCC
- Smooth, uniform dimming
- Precision crafted full face optics for precise beam angle control
- Durable Plastic housing lowers the risk for breakage
- Operating temperature range –4°F/–20°C to 113°F/45°C
- Long Life minimizes replacement and maintenance costs
- ANSI complaint construction ensures fitment for intended applications
- Meets Energy Star requirements
- UL Listed
- Rated for use in wet location

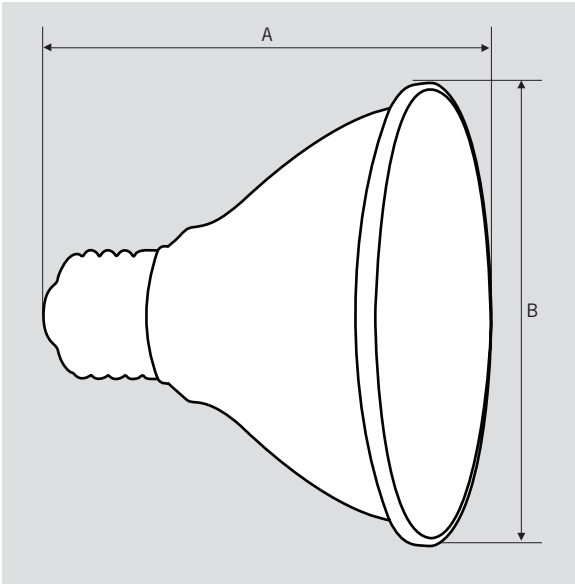
ELECTRICAL AND PERFORMANCE SPECIFICATIONS

Keystone Catalog Number	Description	Color Temp	Input Voltage	Rated Lamp Wattage	Legacy Equivalent Wattage	Base Type	Lumens	Energy Star CBCP	CRI	Light Distribution	Dimmable	Efficacy
KT-LED10PAR30S-F-827	PAR30 bulb. Standard short neck flood, dimmable	2700K	120V	10W	75W halogen	E26	900	TBD	>80	40°	Yes	90 lm/W
KT-LED10PAR30S-F-830	PAR30 bulb. Standard short neck flood, dimmable	3000K	120V	10W	75W halogen	E26	900	TBD	>80	40°	Yes	90 lm/W
KT-LED10PAR30S-F-840	PAR30 bulb. Standard short neck flood, dimmable	4000K	120V	10W	75W halogen	E26	900	TBD	>80	40°	Yes	90 lm/W
KT-LED10PAR30S-F-850	PAR30 bulb. Standard short neck flood, dimmable	5000K	120V	10W	75W halogen	E26	900	TBD	>80	40°	Yes	90 lm/W

KT-LED10PAR30S-F-8XX

REPLACEMENT LAMP

PHYSICAL CHARACTERISTICS



PACKAGING

Carton Quantity	24 pcs
Carton Dimensions	17.13" × 12.80" × 9.65"
Carton Weight	12.4 lbs

LAMP DIMENSIONS

A (Length)	3.35"
B (Diameter)	3.74"

BASE TYPE: E26 (Medium)

ORDERING INFORMATION

ORDER CODE	CARTON QUANTITY	ITEM STATUS
KT-LED10PAR30S-F-8XX	24 pcs	Active

CATALOG NUMBER BREAKDOWN

KT-LED10PAR30S-F-8XX

1 2 3 4 5 6 7 8

- 1 Keystone Technologies
- 2 LED Lamp
- 3 Wattage
- 4 Lamp Shape
- 5 Short Neck
- 6 Standard Flood
- 7 800 Series
- 8 Color Temperature