



ESSENTIAL SERIES

GENERAL PURPOSE LED BULBS

KT-LED10PAR30S-F-8XX /G2

75W REPLACEMENT LAMP

DESCRIPTION

10W PAR30 Lamp | 2700–5000K | >80 CRI | Standard Short Neck Flood



Enclosed
Fixture Rated



LAMP TYPE: PAR30

BASE TYPE: E26 (Medium)

WATTAGE: 10W

COLOR TEMPERATURE: 2700–5000K

COLOR RENDERING INDEX (CRI): >80

WARRANTY: 3 Years

RATED LIFE: L70 (25,000 Hours)

TYPICAL APPLICATIONS

- Track-lighting
- Display
- Flood- and spot-lighting
- Outdoor fixtures (with suitable protection from the elements)

PRODUCT FEATURES

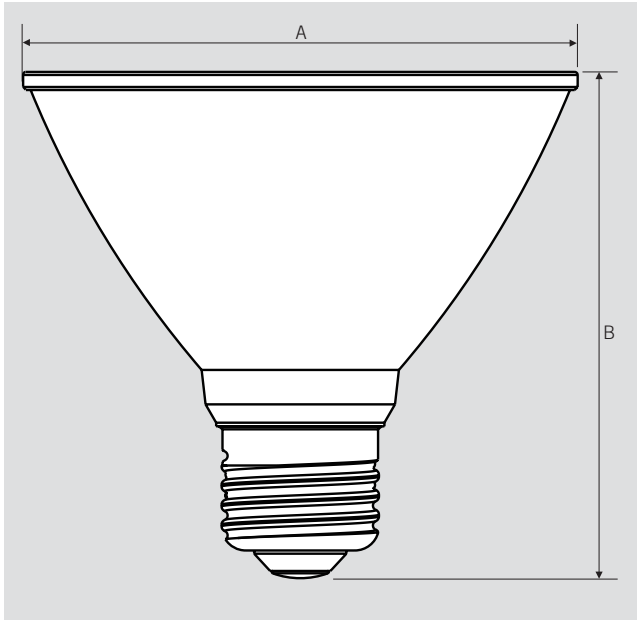
- 80%+ energy savings and less heat generation vs legacy equivalents
- 25,000 hr lifetime means fewer replacements and lower maintenance cost
- Precision crafted optics for beam angle control
- Durable plastic housing for lower risk of breakage
- ANSI compliant construction ensures fit for intended applications
- UL & Energy Star listed
- Suitable for use in enclosed, recessed fixtures
- Suitable for dry, damp, and wet locations
- Suitable for use with dimmers
- PF > 0.90
- Operating temperature range: 4°F/–20°C to 95°F/35°C
- Complies with FCC Part 15

ELECTRICAL AND PERFORMANCE SPECIFICATIONS

| Keystone Catalog Number | Description | Base Type | Input Voltage | Rated Lamp Wattage | Legacy Equivalent Wattage | Lumens | Efficacy | CRI | Beam Angle | Dimmable | Color Temp |
|--------------------------|---|-----------|---------------|--------------------|---------------------------|--------|----------|-----|------------|----------|------------|
| KT-LED10PAR30S-F-827 /G2 | PAR30 bulb. Standard short neck flood, dimmable | E26 | 120V | 10W | 75W halogen | 950 | 95 lm/W | >80 | 40° | Yes | 2700K |
| KT-LED10PAR30S-F-830 /G2 | PAR30 bulb. Standard short neck flood, dimmable | E26 | 120V | 10W | 75W halogen | 950 | 95 lm/W | >80 | 40° | Yes | 3000K |
| KT-LED10PAR30S-F-840 /G2 | PAR30 bulb. Standard short neck flood, dimmable | E26 | 120V | 10W | 75W halogen | 950 | 95 lm/W | >80 | 40° | Yes | 4000K |
| KT-LED10PAR30S-F-850 /G2 | PAR30 bulb. Standard short neck flood, dimmable | E26 | 120V | 10W | 75W halogen | 950 | 95 lm/W | >80 | 40° | Yes | 5000K |

KT-LED10PAR30S-F-8XX /G2
 75W REPLACEMENT LAMP

PHYSICAL CHARACTERISTICS



LAMP DIMENSIONS

| | |
|--------------|-------|
| A (Diameter) | 3.78" |
| B (Length) | 3.43" |

BASE TYPE: E26 (Medium)

PACKAGING

| | |
|-------------------|--------------------------|
| Carton Quantity | 48 pcs |
| Carton Dimensions | 18.50" × 13.46" × 10.32" |

ORDERING INFORMATION

| Order Code | Carton Quantity | UPC | Easy Code |
|--------------------------|-----------------|--------------|-----------|
| KT-LED10PAR30S-F-827 /G2 | 48 pcs | 843654150932 | CRC-07 |
| KT-LED10PAR30S-F-830 /G2 | 48 pcs | 843654150949 | AGQ-89 |
| KT-LED10PAR30S-F-840 /G2 | 48 pcs | 843654150956 | JHC-37 |
| KT-LED10PAR30S-F-850 /G2 | 48 pcs | 843654150963 | JGN-20 |

CATALOG NUMBER BREAKDOWN

KT-LED10PAR30S-F-8XX /G2

1 2 3 4 5 6 7 8 9

- 1 Keystone Technologies
- 2 LED Lamp
- 3 Wattage
- 4 Lamp Shape
- 5 Short-Neck
- 6 Standard Flood
- 7 80 CRI
- 8 Color Temperature
- 9 Second Generation