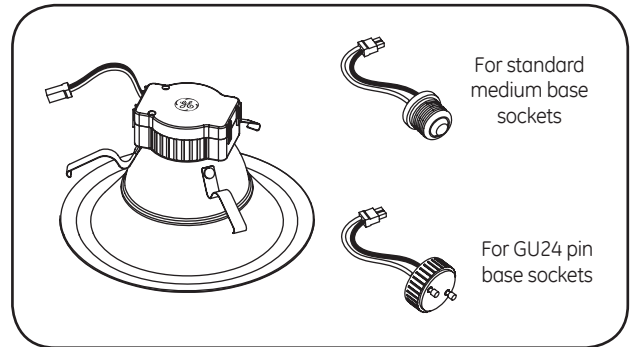


# Lumination™ LED Luminaire

(RS Series)



## BEFORE YOU BEGIN

Read these instructions completely and carefully.

### ⚠ WARNING/AVERTISSEMENT

- |  |   |
|--|---|
| <ul style="list-style-type: none"> <li>• Risk of fire or electric shock. LED Retrofit Kit installation requires knowledge of luminaires electrical systems. If not qualified, do not attempt installation. Contact a qualified electrician.</li> <li>• Risk of fire or electric shock. Install this kit only in the luminaires that have the construction features and dimensions shown in the photographs and/or drawings.</li> <li>• Do not make or alter any open holes in an enclosure of wiring or electrical components during kit installation.</li> <li>• To prevent wiring damage or abrasion, do not expose wiring to edges of sheet metal or other sharp objects.</li> <li>• This device is not intended for use with emergency exits.</li> <li>• Min. lamp compartment dimensions 15 (dia) x 17 (h) mm.</li> </ul> | <ul style="list-style-type: none"> <li>• Risque de choc électrique, le kit d'installation LED Retrofit requiert une connaissance des systèmes électriques des luminaires. Si vous n'êtes pas qualifié, ne tentez pas l'installation. Contactez un électricien.</li> <li>• Risque d'incendie ou de choc électrique. N'installez ce kit que dans les luminaires qui ont les caractéristiques de conception et les dimensions indiquées sur les photos et/ou schémas.</li> <li>• Ne faites/n'altérez pas les trous ouverts dans l'enceinte de câblage ou composants électriques lors de l'installation du kit.</li> <li>• Pour prévenir tout risque de dommage ou abrasion, n'exposez pas le câblage à des lames métalliques ou autres objets coupants ou pointus.</li> <li>• Cet appareil n'est pas conçu pour utilisation avec sortie de secours.</li> <li>• Dimensions minimum du compartiment des lampes : 15mm (diamètre) x 17 (h) mm.</li> </ul> |
|--|---|

## Save These Instructions

Use only in the manner intended by the manufacturer.  
If you have any questions, contact the manufacturer.

## Components Supplied

- One LED retrofit
- One installation instructions sheet

The units covered in this report are intended to retrofit Type IC or non-IC recessed mount Listed luminaires with instructions to remove the existing trim. The minimum dimensions of luminaires are tabulated below. These products are intended to be used in dry or damp locations. These products are classified as to FIRE and SHOCK hazards only.

This device complies with Part 15 of the FCC Rules. Operation is subject to the following two conditions: (1) This device may not cause harmful interference, and (2) this device must accept any interference received, including interference that may cause undesired operation. This Class [B] RFLD complies with the Canadian standard ICES-003. Ce DEFR de la classe [B] est conforme à la NMB-003 du Canada.

**Note:** This equipment has been tested and found to comply with the limits for a Class B digital device, pursuant to part 15 of the FCC Rules. These limits are designed to provide reasonable protection against harmful interference when the equipment is operated in a commercial environment. This equipment generates, uses, and can radiate radio frequency energy and, if not installed and used in accordance with the instruction manual, may cause harmful interference to radio communications. Operation of this equipment in a residential area is likely to cause harmful interference in which case the user will be required to correct the interference at his own expense.



imagination at work

# Prepare Electrical Wiring



## Electrical Requirements

The LED driver must be supplied with 95-132 VAC, 50/60 Hz and rated as follows:

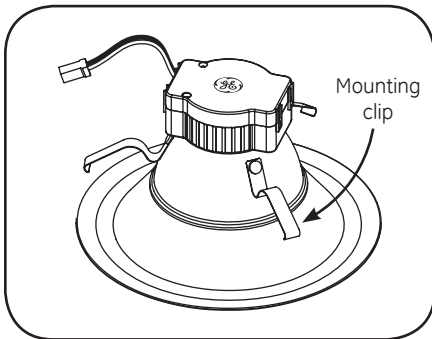
Product Code	Description	Input Voltage	Input Frequency	Input Wattage	Input Current
95851	LED10RS6/827GUP	95-132V	50/60 Hz	10W	0.1 A
95852	LED10RS6/830GUP	95-132V	50/60 Hz	10W	0.1 A
95853	LED10RS4/827E26P	95-132V	50/60 Hz	10W	0.1 A
95854	LED10RS4/830E26P	95-132V	50/60 Hz	10W	0.1 A
95855	LED10RS4/827GUP	95-132V	50/60 Hz	10W	0.1 A
95856	LED10RS4/830GUP	95-132V	50/60 Hz	10W	0.1 A
85153	LED10RS6/827E26P	95-132V	50/60 Hz	10W	0.1 A
85160	LED10RS6/830E26P	95-132V	50/60 Hz	10W	0.1 A
70120	LED13RS6/827E26P	95-132V	50/60 Hz	13W	0.15 A
70122	LED13RS6/830E26P	95-132V	50/60 Hz	13W	0.15 A
70124	LED13RS6/827GUP	95-132V	50/60 Hz	13W	0.15 A
70127	LED13RS6/830GUP	95-132V	50/60 Hz	13W	0.15 A



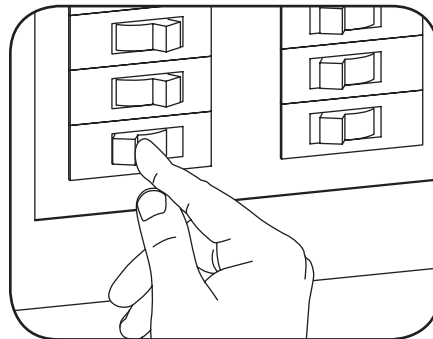
## Grounding Instructions

The grounding and bonding of the overall system shall be done in accordance with National Electric Code (NEC) Article 600 and local codes.

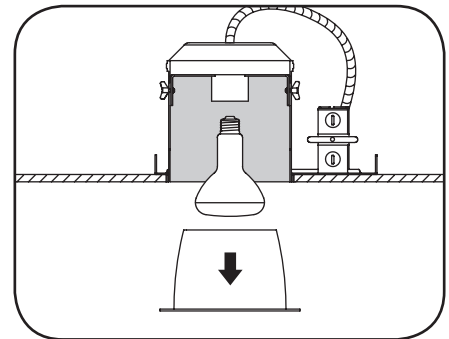
# Installation



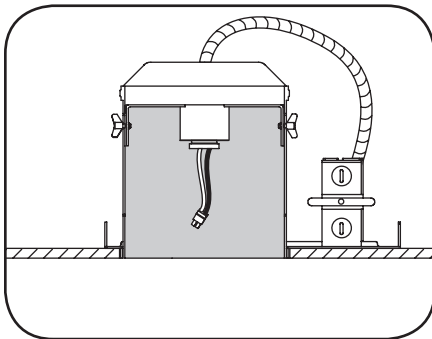
**1** Remove lamp from the packaging and check that the mounting clips are firmly attached.



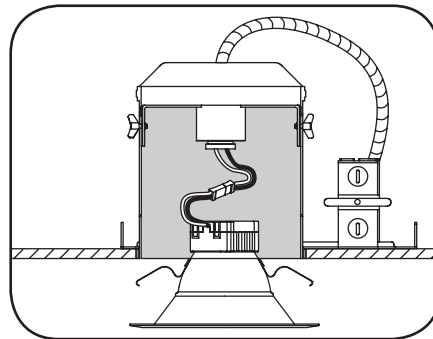
**2** **TURN OFF POWER** at the source to the recessed housing(s) that you are installing the fixture(s) in.



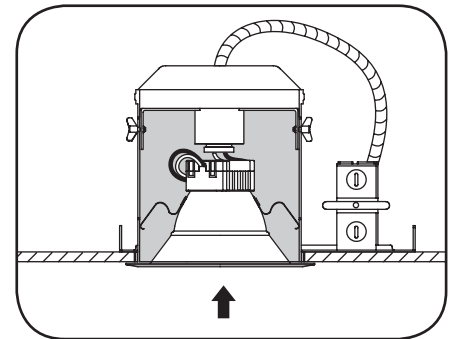
**3** Remove existing trim and bulb, revealing the existing socket.



**4** Insert base socket adapter into existing socket inside the housing.



**5** Link the socket adapter to the matching connector clip attached to the fixture.



**6** Guide fixture into the housing and gently push up until flush with the ceiling.

**7** Restore power to the lighting system.



GE Lighting • 1-888-MY-GE-LED (1-888-69-43-533) • [www.gelighting.com](http://www.gelighting.com)

GE Lighting Solutions, LLC is a subsidiary of the General Electric Company. The GE brand, logo and Lumination are trademarks of the General Electric Company.  
© 2014 GE Lighting Solutions, LLC. Information provided is subject to change without notice. All values are design or typical values when measured under laboratory conditions.