



KT-LED17PLL-22G-840-D

PLL LED LAMP

DESCRIPTION

17W PLL LED | 4000K | >80 CRI | High-Efficiency



LAMP TYPE: PLL
BASE TYPE: 2G11
WATTAGE: 17W
COLOR TEMPERATURE: 4000K
COLOR RENDERING INDEX (CRI): >80
WARRANTY: 5 Years



PRODUCT FEATURES

- Replacement for conventional fluorescent lamp
- UL Classified
- 50,000+ hour lifetime
- Approximately 50% more energy efficient than standard FT40/2G11 lamps
- Environmentally friendly: No mercury used
- Integral driver (isolated) eliminates the need for an external ballast or driver
- Instant startup
- Not dimmable
- Frosted lens eliminates pixelation
- Operating temperature: -20°C/-4°F to 45°C/113°F
- 100+ Lumens per Watt (bare lamp efficacy)
- Suitable for dry and damp locations
- NSF listed: NSF/ANSI Standard 2 – Food Equipment

OPERATING SPECIFICATIONS

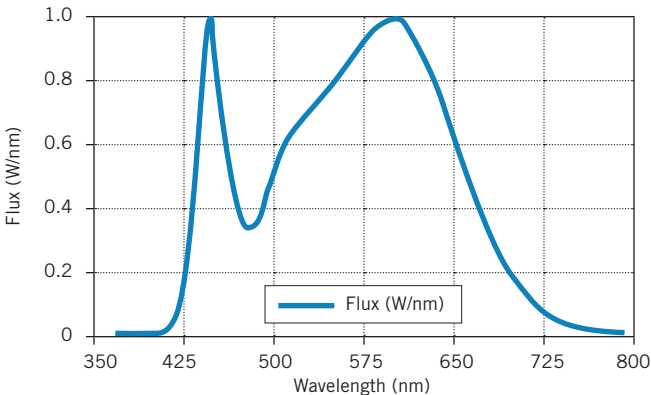
ELECTRICAL AND PERFORMANCE CHARACTERISTICS

Input Voltage	CRI	Bare Lamp Wattage	Nominal Lamp Lumens	Beam Angle	Nominal Bare Lamp Efficacy	Power Factor	Max. THD
120-277V	>80	17W	2200	220°	129 lm/W	>0.9	20%

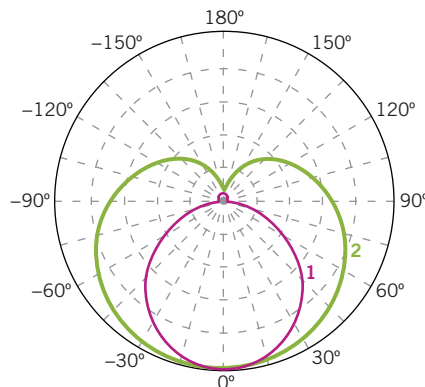
RATED LIFE

L70 (Hours)	50,000
--------------------	--------

SPECTRAL DISTRIBUTION



POLAR CANDELA DISTRIBUTION



Located at
Horizontal Angle=0, Vertical Angle=0

Beam Angle: 220°

Visible Light Area: 325°

- 1 Violet** Vertical Plane through Horizontal Angles (90-270)
- 2 Green** Vertical Plane through Horizontal Angles (0-180)

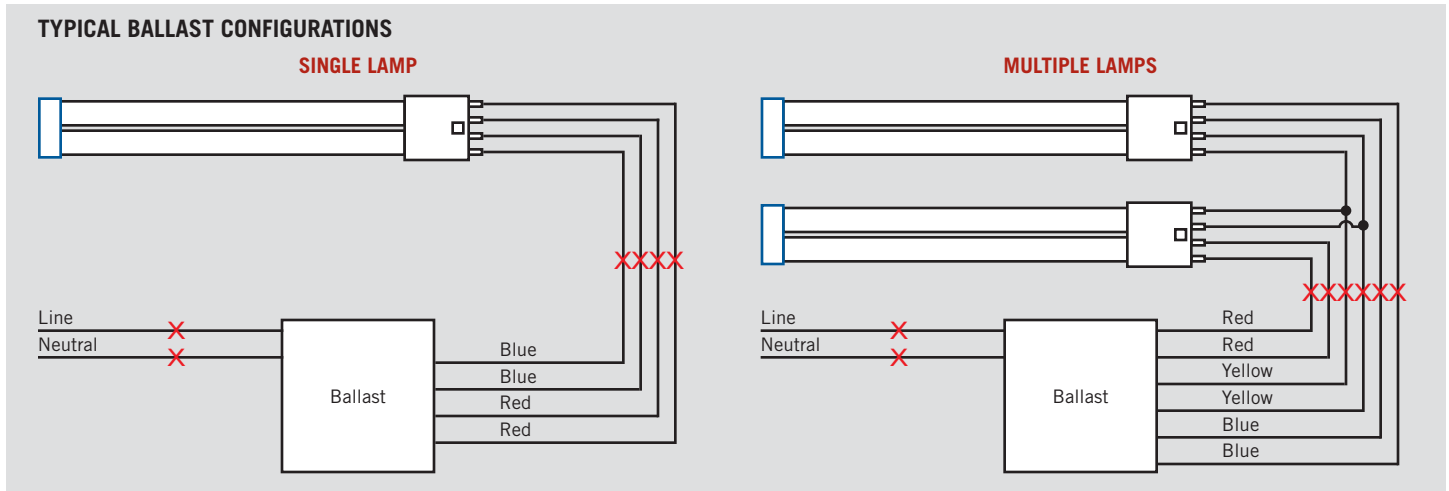


KT-LED17PLL-22G-840-D

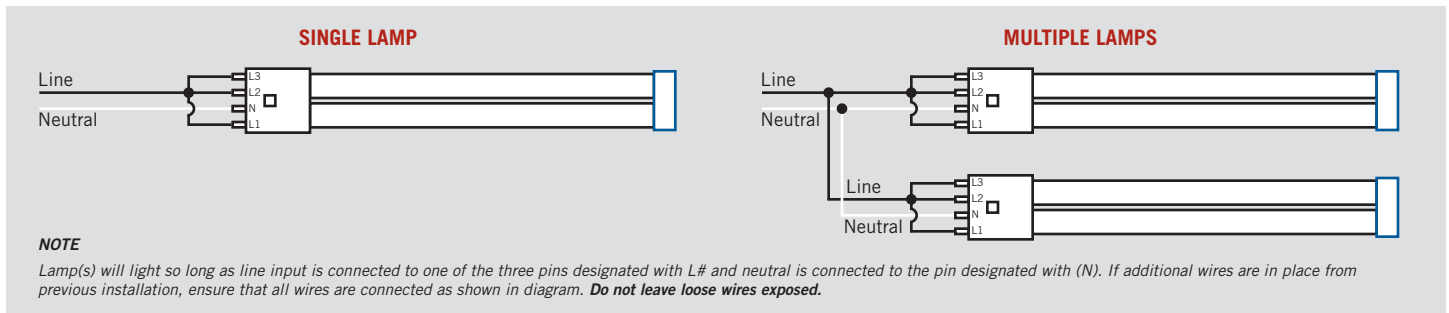
PLL LED LAMP

WIRING DIAGRAMS

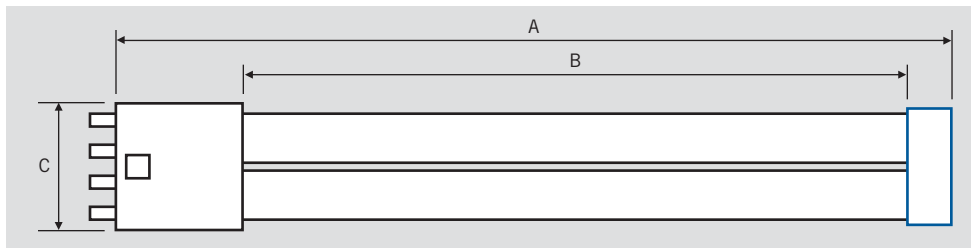
1. Cut all existing connections to ballast as shown below and remove ballast.



2. Re-wire fixture as shown below.



PHYSICAL CHARACTERISTICS



LAMP DIMENSIONS

A (Body Length)	22.31"
B (Illuminated Length)	19.25"
C (Width)	1.73"

BASE TYPE: 2G11



KT-LED17PLL-22G-840-D

PLL LED LAMP

ORDERING INFORMATION

ORDER CODE	PACK QTY.	EASY CODE	UPC
KT-LED17PLL-22G-840-D-CP	12	FUB-88	89094901285

CATALOG NUMBER BREAKDOWN

KT-LED17PLL-22G-840-D-CP

1
2
3
4
5
6
7
8
9
10

- 1** Keystone Technologies
- 2** LED Lamp
- 3** Wattage
- 4** Lamp Type
- 5** Nominal Length (Inches)
- 6** Glass
- 7** 800 Series
- 8** Color Temperature
- 9** Direct-Drive Series
- 10** Packaging Style



KT-LED17PLL-22G-840-D

PLL LED LAMP

DESCRIPTION

17W PLL LED | 4000K | >80 CRI | High-Efficiency



LAMP TYPE: PLL
BASE TYPE: 2G11
WATTAGE: 17W
COLOR TEMPERATURE: 4000K
COLOR RENDERING INDEX (CRI): >80
WARRANTY: 5 Years



PRODUCT FEATURES

- Replacement for conventional fluorescent lamp
- UL Classified
- 50,000+ hour lifetime
- Approximately 50% more energy efficient than standard FT40/2G11 lamps
- Environmentally friendly: No mercury used
- Integral driver (isolated) eliminates the need for an external ballast or driver
- Instant startup
- Not dimmable
- Frosted lens eliminates pixelation
- Operating temperature: -20°C/-4°F to 45°C/113°F
- 100+ Lumens per Watt (bare lamp efficacy)
- Suitable for dry and damp locations
- NSF listed: NSF/ANSI Standard 2 – Food Equipment

OPERATING SPECIFICATIONS

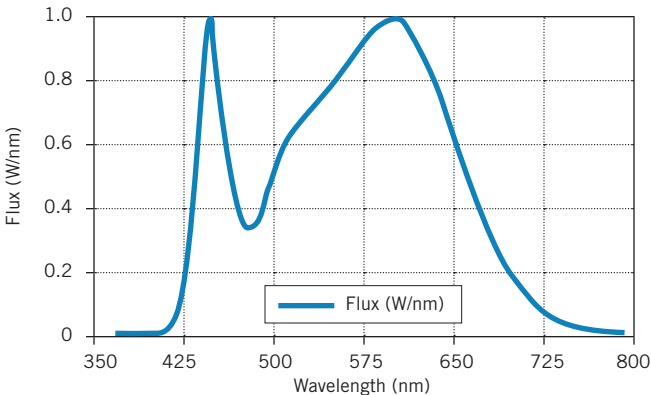
ELECTRICAL AND PERFORMANCE CHARACTERISTICS

Input Voltage	CRI	Bare Lamp Wattage	Nominal Lamp Lumens	Beam Angle	Nominal Bare Lamp Efficacy	Power Factor	Max. THD
120-277V	>80	17W	2200	220°	129 lm/W	>0.9	20%

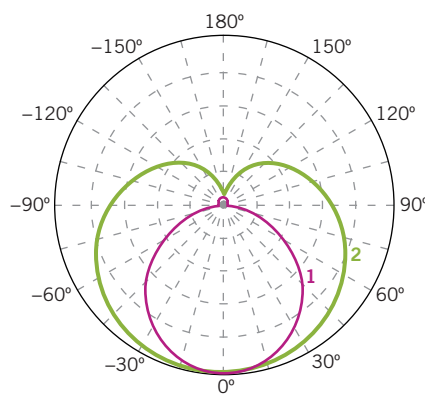
RATED LIFE

L70 (Hours)	50,000
--------------------	--------

SPECTRAL DISTRIBUTION



POLAR CANDELA DISTRIBUTION



Located at
Horizontal Angle=0, Vertical Angle=0

Beam Angle: 220°

Visible Light Area: 325°

- 1 Violet Vertical Plane through Horizontal Angles (90-270)
- 2 Green Vertical Plane through Horizontal Angles (0-180)

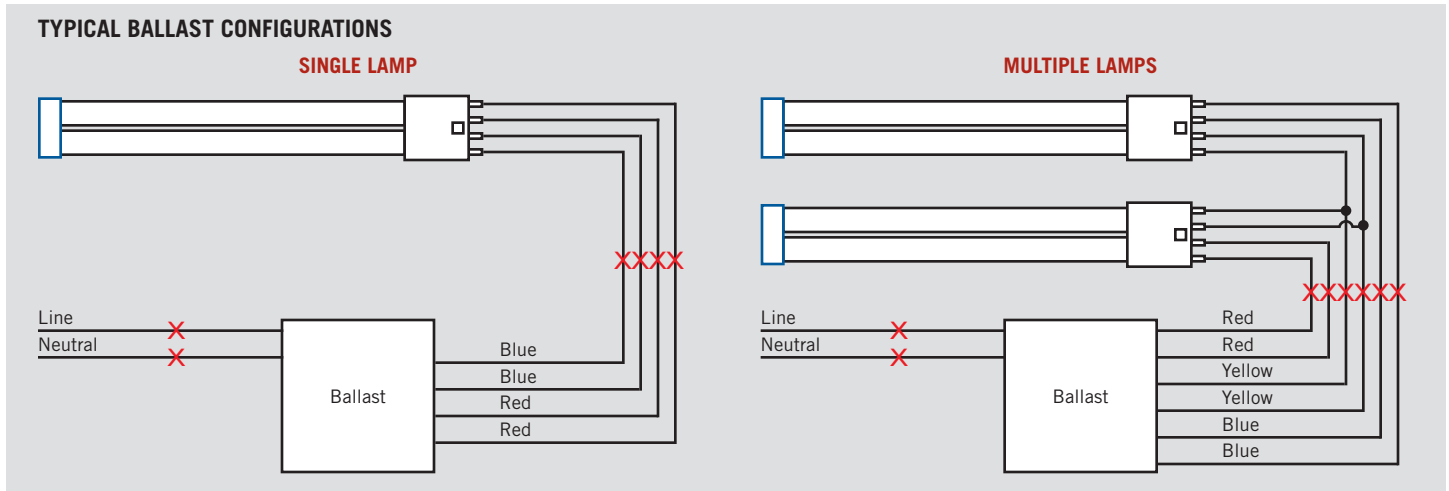


KT-LED17PLL-22G-840-D

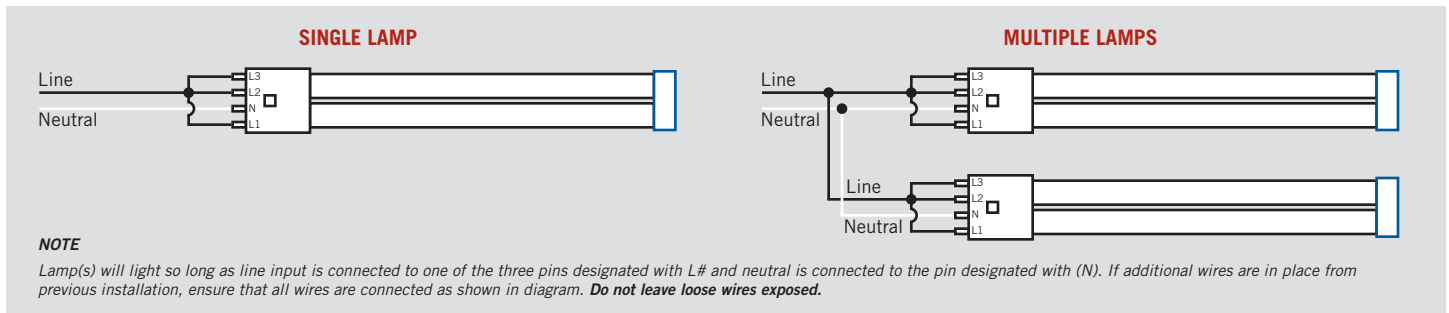
PLL LED LAMP

WIRING DIAGRAMS

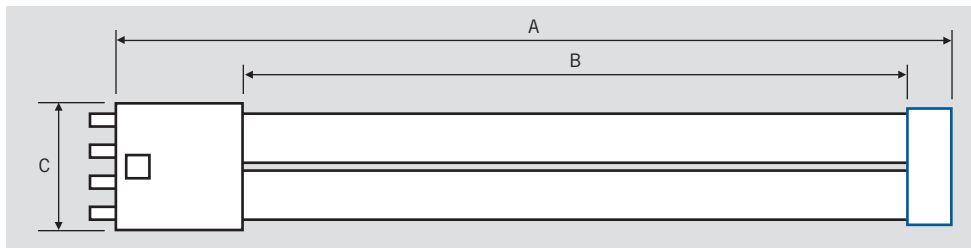
1. Cut all existing connections to ballast as shown below and remove ballast.



2. Re-wire fixture as shown below.



PHYSICAL CHARACTERISTICS



LAMP DIMENSIONS

A (Body Length)	22.31"
B (Illuminated Length)	19.25"
C (Width)	1.73"

BASE TYPE: 2G11



KT-LED17PLL-22G-840-D

PLL LED LAMP

ORDERING INFORMATION

ORDER CODE	PACK QTY.	EASY CODE	UPC
KT-LED17PLL-22G-840-D-CP	12	FUB-88	89094901285

CATALOG NUMBER BREAKDOWN

KT-LED17PLL-22G-840-D-CP

1 2 3 4 5 6 7 8 9 10

- 1 Keystone Technologies
- 2 LED Lamp
- 3 Wattage
- 4 Lamp Type
- 5 Nominal Length (Inches)
- 6 Glass
- 7 800 Series
- 8 Color Temperature
- 9 Direct-Drive Series
- 10 Packaging Style