



# KT-LEDXXA21-0-E26-8XX

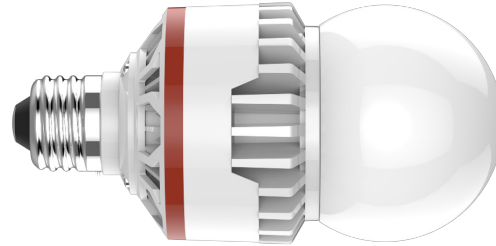
## REPLACEMENT LAMP

### DESCRIPTION

14–20W Commercial A21 Lamp | 2700–5000K | >80 CRI | Omni-Directional



<b>LAMP TYPE:</b> Commercial A21
<b>BASE TYPE:</b> E26 (Medium)
<b>WATTAGE:</b> 14–20W
<b>COLOR TEMPERATURE:</b> 2700–5000K
<b>COLOR RENDERING INDEX (CRI):</b> > 80
<b>WARRANTY:</b> 5 Years



### PRODUCT FEATURES

- Up to 75% energy saving compared to legacy equivalent lamps
- Can be used in base-up or base-down position
- Rated for open and enclosed fixtures
- Large metal heatsink for optimal heat dissipation
- THD < 20%
- PF > 0.90
- Operating temperature range –4°F/–20°C to 113°F/45°C; 95°F/35°C max for fully enclosed fixture
- Ideal for post top, bollards, and outdoor corridor lighting
- Suitable for dry and damp location
- Meets Energy Star requirements
- UL 1993 and 1598C Rated pending

### ELECTRICAL AND PERFORMANCE SPECIFICATIONS

Keystone Catalog Number	Description	Color Temp	Input Voltage	Rated Lamp Wattage	Legacy Equivalent Wattage	Base Type	Lumens	CRI	Light Distribution	Dimmable	Efficacy
KT-LED14A21-0-E26-827	Commercial A21 bulb. Universal input voltage, Omni-directional, Non-dimmable	2700K	120–277V	14W	100W incand.	E26	1764 L	>80	340	No	126 lm/W
KT-LED14A21-0-E26-830	Commercial A21 bulb. Universal input voltage, Omni-directional, Non-dimmable	3000K	120–277V	14W	100W incand.	E26	1792 L	>80	340	No	128 lm/W
KT-LED14A21-0-E26-840	Commercial A21 bulb. Universal input voltage, Omni-directional, Non-dimmable	4000K	120–277V	14W	100W incand.	E26	1918 L	>80	340	No	137 lm/W
KT-LED14A21-0-E26-850	Commercial A21 bulb. Universal input voltage, Omni-directional, Non-dimmable	5000K	120–277V	14W	100W incand.	E26	1960 L	>80	340	No	140 lm/W
KT-LED20A21-0-E26-827	Commercial A21 bulb. Universal input voltage, Omni-directional, Non-dimmable	2700K	120–277V	20W	150W incand.	E26	2500 L	>80	340	No	125 lm/W
KT-LED20A21-0-E26-830	Commercial A21 bulb. Universal input voltage, Omni-directional, Non-dimmable	3000K	120–277V	20W	150W incand.	E26	2620 L	>80	340	No	131 lm/W
KT-LED20A21-0-E26-840	Commercial A21 bulb. Universal input voltage, Omni-directional, Non-dimmable	4000K	120–277V	20W	150W incand.	E26	2720 L	>80	340	No	136 lm/W
KT-LED20A21-0-E26-850	Commercial A21 bulb. Universal input voltage, Omni-directional, Non-dimmable	5000K	120–277V	20W	150W incand.	E26	2740 L	>80	340	No	137 lm/W
KT-LED20A21-0-E26-827-DIM	Commercial A21 Bulb. Omni-directional, TRIAC dimmable	2700K	120V	20W	150W incand.	E26	2460 L	>80	340	Yes	123 lm/W
KT-LED20A21-0-E26-830-DIM	Commercial A21 Bulb. Omni-directional, TRIAC dimmable	3000K	120V	20W	150W incand.	E26	2500 L	>80	340	Yes	125 lm/W
KT-LED20A21-0-E26-840-DIM	Commercial A21 Bulb. Omni-directional, TRIAC dimmable	4000K	120V	20W	150W incand.	E26	2620 L	>80	340	Yes	131 lm/W
KT-LED20A21-0-E26-850-DIM	Commercial A21 Bulb. Omni-directional, TRIAC dimmable	5000K	120V	20W	150W incand.	E26	2660 L	>80	340	Yes	133 lm/W

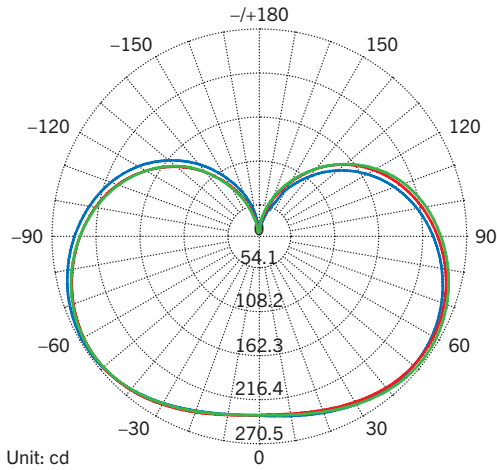


# KT-LEDXXA21-0-E26-8XX

## REPLACEMENT LAMP

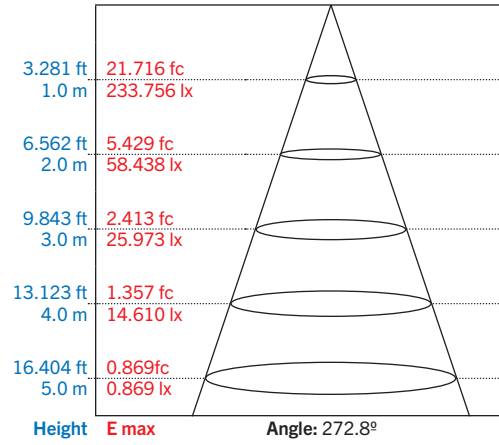
### OPERATING SPECIFICATIONS

#### POLAR CANDELA DISTRIBUTION



C Plane	50% MaxAng.	10% MaxAng.
<span style="color: green;">■</span> C240.0_60.0	272.8	343.2
<span style="color: blue;">■</span> C0.0_180.0	272.5	342.3
<span style="color: red;">■</span> C90.0_270.0	273.0	342.8

#### LUX DISTANCE CURVE

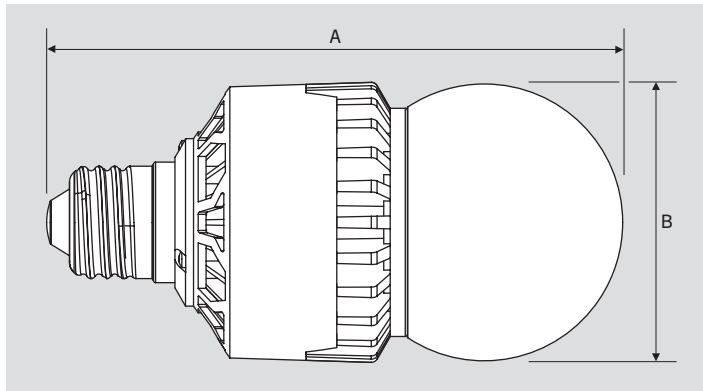


Note: The curves indicate the illuminated area and the average illumination when the luminaire is at a different distance.

#### RATED LIFE

L70 (Hours)	25,000
-------------	--------

### PHYSICAL CHARACTERISTICS



#### LAMP DIMENSIONS

A (Length)	5.26"
B (Diameter)	2.56"

BASE TYPE: E26 (Medium)

### PACKAGING

Carton Quantity	24 pcs
Carton Dimensions	11.6" × 13.38" × 15"
Carton Weight	19.1 lbs



# KT-LEDXXA21-0-E26-8XX

## REPLACEMENT LAMP

### ORDERING INFORMATION

CATALOG NUMBER	PACK QTY.	EASY CODE	UPC
KT-LED14A21-0-E26-827	24 pcs	MKD-50	843654122700
KT-LED14A21-0-E26-830	24 pcs	LTE-35	843654122717
KT-LED14A21-0-E26-840	24 pcs	XEF-64	843654122724
KT-LED14A21-0-E26-850	24 pcs	XOI-75	843654122731
KT-LED20A21-0-E26-827	24 pcs	GAU-17	843654122748
KT-LED20A21-0-E26-830	24 pcs	SXF-69	843654122755
KT-LED20A21-0-E26-840	24 pcs	OPF-90	843654122762
KT-LED20A21-0-E26-850	24 pcs	XJH-40	843654122779
KT-LED20A21-0-E26-827-DIM	24 pcs	CLA-73	843654122786
KT-LED20A21-0-E26-830-DIM	24 pcs	JRC-19	843654122793
KT-LED20A21-0-E26-840-DIM	24 pcs	TMJ-80	843654122809
KT-LED20A21-0-E26-850-DIM	24 pcs	QHI-50	843654122816

### CATALOG NUMBER BREAKDOWN

# KT-LEDXXA21-0-E26-8XX

1 2 3 4 5 6 7 8

- 1 Keystone Technologies
- 2 LED Lamp
- 3 Wattage
- 4 Lamp Style
- 5 Omni-Directional
- 6 Base Type
- 7 800 Series
- 8 Color Temperature