



# KT-LED25A23-0-E26-8XX

## REPLACEMENT LAMP

### DESCRIPTION

25W Commercial A23 Lamp | 3000–5000K | >80 CRI | Omni-Directional



**LAMP TYPE:** Commercial A23

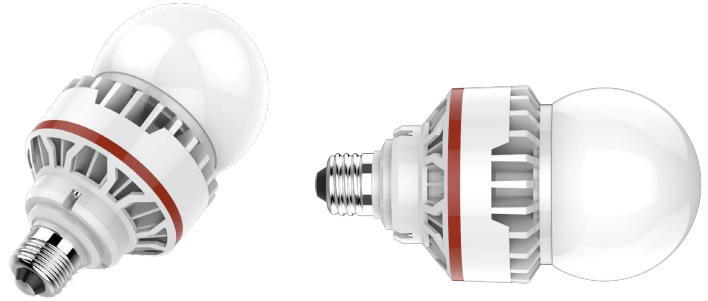
**BASE TYPE:** E26 (Medium)

**WATTAGE:** 25W

**COLOR TEMPERATURE:** 3000–5000K

**COLOR RENDERING INDEX (CRI):** > 80

**WARRANTY:** 5 Years



### PRODUCT FEATURES

- Up to 75% energy saving compared to legacy equivalent lamps
- Can be used in base-up or base-down position
- Rated for open and enclosed fixtures
- Large metal heatsink for optimal heat dissipation
- THD < 20%
- PF > 0.90
- Operating temperature range –4°F/–20°C to 113°F/45°C; 95°F/35°C max for fully enclosed fixture
- Ideal for post top, bollards, and outdoor corridor lighting
- Suitable for dry and damp location
- Meets Energy Star requirements
- UL 1993 and 1598C Rated

### ELECTRICAL AND PERFORMANCE SPECIFICATIONS

Keystone Catalog Number	Description	Color Temp	Input Voltage	Rated Lamp Wattage	Legacy Equivalent Wattage	Base Type	Lumens	CRI	Light Distribution	Dimmable	Efficacy
KT-LED25A23-0-E26-830	Commerical A23 Bulb. Universal Input Voltage, Omni-Directional, Non-Dimmable	3000K	120–277V	25W	200W incand./100W HID	E26	3160 L	>80	330	No	126 lm/W
KT-LED25A23-0-E26-840	Commerical A23 Bulb. Universal Input Voltage, Omni-Directional, Non-Dimmable	4000K	120–277V	25W	200W incand./100W HID	E26	3350 L	>80	330	No	134 lm/W
KT-LED25A23-0-E26-850	Commerical A23 Bulb. Universal Input Voltage, Omni-Directional, Non-Dimmable	5000K	120–277V	25W	200W incand./100W HID	E26	3340 L	>80	330	No	133 lm/W

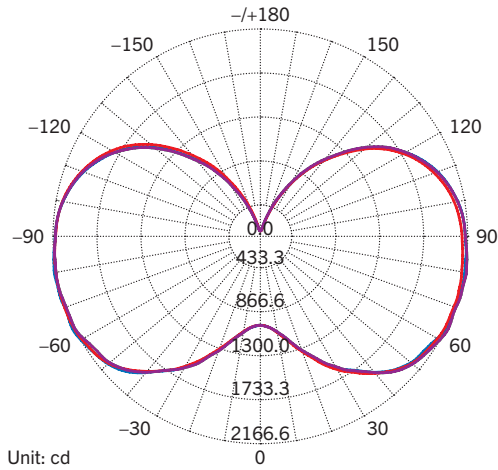


# KT-LED25A23-0-E26-8XX

## REPLACEMENT LAMP

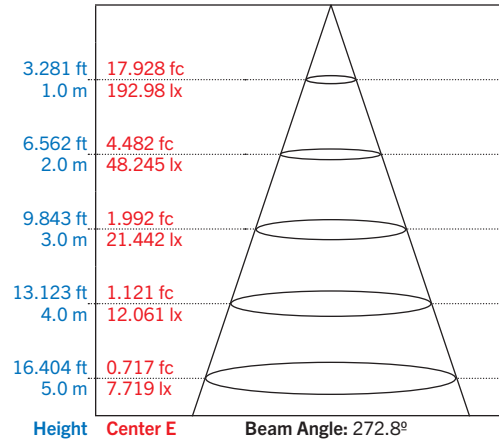
### OPERATING SPECIFICATIONS

#### POLAR CANDELA DISTRIBUTION



C Plane	50% MaxAng.	10% MaxAng.
■ C180.0_360.0	280.1	327.7
■ C0.0_180.0	280.1	327.7
■ C90.0_270.0	281.9	328.7
■ C180.0_360.0	280.1	327.7

#### LUX DISTANCE CURVE

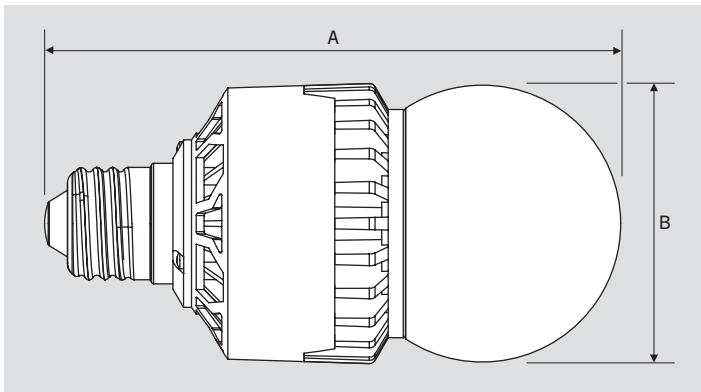


Note: The curves indicate the illuminated area and the average illumination when the luminaire is at a different distance.

#### RATED LIFE

L70 (Hours)	50,000
-------------	--------

### PHYSICAL CHARACTERISTICS



#### LAMP DIMENSIONS

A (Length)	6.28"
B (Diameter)	3.22"

BASE TYPE: E26 (Medium)

### PACKAGING

Carton Quantity	24 pcs (25W)
Carton Dimensions	12" × 15.1" × 16.14"
Carton Weight	33.5 lbs



# KT-LED25A23-0-E26-8XX

## REPLACEMENT LAMP

### ORDERING INFORMATION

CATALOG NUMBER	PACK QTY.	EASY CODE	UPC
KT-LED25A23-0-E26-830-DP	24 pcs	FEK-69	843654122823
KT-LED25A23-0-E26-840-DP	24 pcs	AVA-26	843654122830
KT-LED25A23-0-E26-850-DP	24 pcs	WAU-28	843654122847

### CATALOG NUMBER BREAKDOWN

# KT-LED25A23-0-E26-8XX-DP

1 2 3 4 5 6 7 8 9

- 1 Keystone Technologies
- 2 LED Lamp
- 3 Wattage
- 4 Lamp Style
- 5 Omni-Directional
- 6 Base Type
- 7 800 Series
- 8 Color Temperature
- 9 Packaging Style