



KT-LED35A25-0-XX-8XX

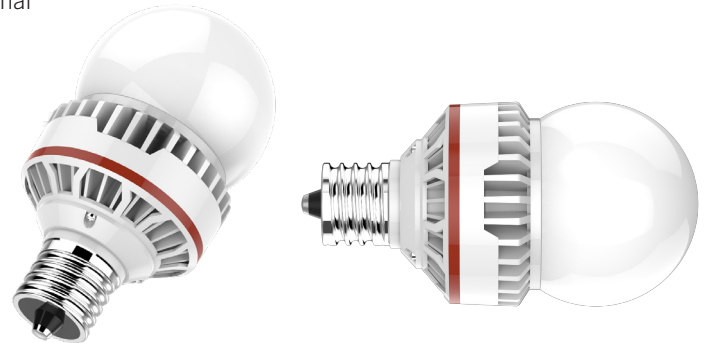
REPLACEMENT LAMP

DESCRIPTION

35W Commercial A25 Lamp | 3000–5000K | >80 CRI | Omni-Directional



| |
|--|
| LAMP TYPE: Commercial A25 |
| BASE TYPE: E26 (Medium) or EX39 (Mogul) |
| WATTAGE: 35W |
| COLOR TEMPERATURE: 3000–5000K |
| COLOR RENDERING INDEX (CRI): > 80 |
| WARRANTY: 5 Years |



PRODUCT FEATURES

- Up to 75% energy saving compared to legacy equivalent lamps
- Can be used in base-up, base-down and horizontal position
- Rated for open and enclosed fixtures
- Large metal heatsink for optimal heat dissipation
- THD < 20%
- PF > 0.90
- Operating temperature range –4°F/–20°C to 113°F/45°C; 95°F/35°C max for fully enclosed fixture
- Ideal for post top, bollards, and outdoor corridor lighting
- Suitable for dry and damp location
- Meets Energy Star requirements
- UL 1993 and 1598C Rated

ELECTRICAL AND PERFORMANCE SPECIFICATIONS

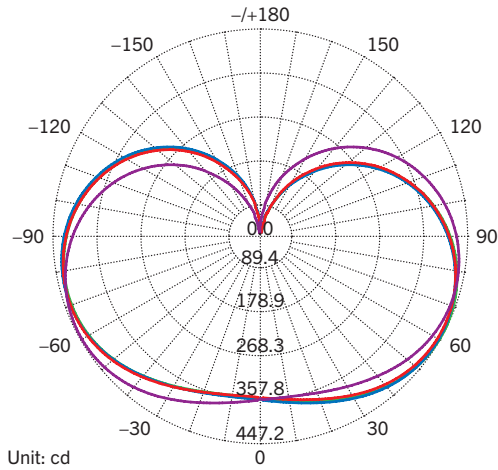
| Keystone Catalog Number | Description | Color Temp | Input Voltage | Rated Lamp Wattage | Legacy Equivalent Wattage | Base Type | Lumens | CRI | Light Distribution | Dimmable | Efficacy |
|-------------------------|--|------------|---------------|--------------------|---------------------------|-----------|--------|-----|--------------------|----------|----------|
| KT-LED35A25-0-E26-830 | Commercial A25 Bulb. Universal Input Voltage, Omni-Directional, Non-Dimmable | 3000K | 120–277V | 35W | 300W incand./ 150W HID | E26 | 4400 L | >80 | 330 | No | 125 lm/W |
| KT-LED35A25-0-E26-840 | Commercial A25 Bulb. Universal Input Voltage, Omni-Directional, Non-Dimmable | 4000K | 120–277V | 35W | 300W incand./ 150W HID | E26 | 4780 L | >80 | 330 | No | 137 lm/W |
| KT-LED35A25-0-E26-850 | Commercial A25 Bulb. Universal Input Voltage, Omni-Directional, Non-Dimmable | 5000K | 120–277V | 35W | 300W incand./ 150W HID | E26 | 4850 L | >80 | 330 | No | 139 lm/W |
| KT-LED35A25-0-EX39-830 | Commercial A25 Bulb. Universal Input Voltage, Omni-Directional, Non-Dimmable | 3000K | 120–277V | 35W | 300W incand./ 150W HID | EX39 | 4550 L | >80 | 330 | No | 130 lm/W |
| KT-LED35A25-0-EX39-840 | Commercial A25 Bulb. Universal Input Voltage, Omni-Directional, Non-Dimmable | 4000K | 120–277V | 35W | 300W incand./ 150W HID | EX39 | 4780 L | >80 | 330 | No | 137 lm/W |
| KT-LED35A25-0-EX39-850 | Commercial A25 Bulb. Universal Input Voltage, Omni-Directional, Non-Dimmable | 5000K | 120–277V | 35W | 300W incand./ 150W HID | EX39 | 4850 L | >80 | 330 | No | 139 lm/W |



KT-LED35A25-0-XX-8XX REPLACEMENT LAMP

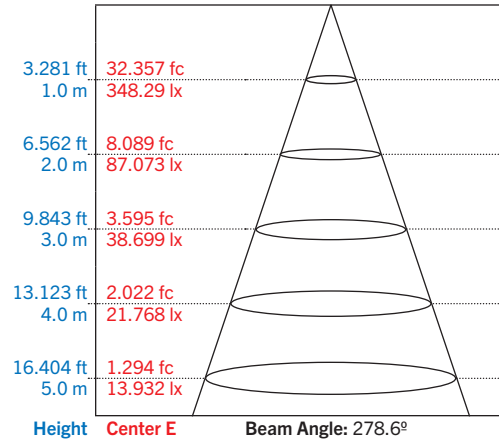
OPERATING SPECIFICATIONS

POLAR CANDELA DISTRIBUTION



| C Plane | 50% MaxAng. | 10% MaxAng. |
|--|-------------|-------------|
| ■ C60.0_240.0 | 278.6 | 344.0 |
| ■ C0.0_180.0 | 279.4 | 346.7 |
| ■ C90.0_270.0 | 279.5 | 344.7 |
| ■ C180.0_360.0 | 279.4 | 346.7 |

LUX DISTANCE CURVE

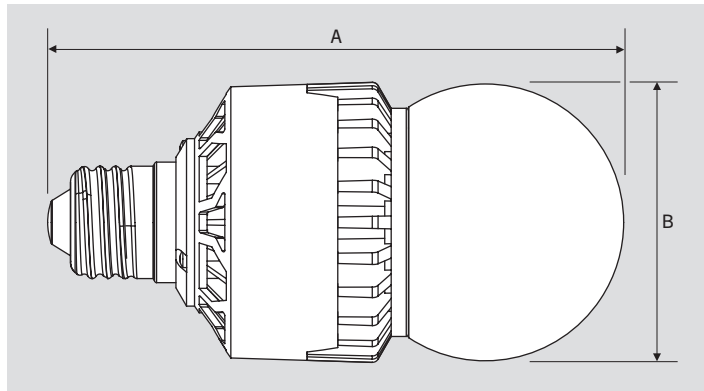


Note: The curves indicate the illuminated area and the average illumination when the luminaire is at a different distance.

RATED LIFE

| | |
|-------------|--------|
| L70 (Hours) | 50,000 |
|-------------|--------|

PHYSICAL CHARACTERISTICS



LAMP DIMENSIONS

| | |
|--------------|----------------------------|
| A (Length) | 6.91" (E26) / 7.25" (EX39) |
| B (Diameter) | 3.73" |

BASE TYPE: E26 (Medium) or EX39 (Mogul)

PACKAGING

| | |
|-------------------|----------------------|
| Carton Quantity | 12 pcs (35W) |
| Carton Dimensions | 12.4" × 8.5" × 16.9" |
| Carton Weight | 21.95 lbs |



KT-LED35A25-0-XX-8XX

REPLACEMENT LAMP

ORDERING INFORMATION

| ORDER CODE | DESCRIPTION | PACKAGING STYLE | PACK QUANTITY | ITEM STATUS |
|-------------------------|------------------|---------------------------------------|---------------|-------------|
| KT-LED35A25-0-XX-8XX-DP | Replacement Lamp | Distributor Pack (Individual Cartons) | 12 pcs (35W) | Active |

CATALOG NUMBER BREAKDOWN

KT-LED35A25-0-XX-8XX-DP

1 2 3 4 5 6 7 8 9

- 1 Keystone Technologies
- 2 LED Lamp
- 3 Wattage
- 4 Lamp Style
- 5 Omni-Directional
- 6 Base Type
- 7 800 Series
- 8 Color Temperature
- 9 Packaging Style