



# ESSENTIAL SERIES

GENERAL PURPOSE LED BULBS

## KT-LED5PAR20-F-8XX

### REPLACEMENT LAMP

### DESCRIPTION

5W PAR20 Lamp | 2700–5000K | >80 CRI | Standard Flood



RoHS Compliant

3 YEAR WARRANTY

<b>LAMP TYPE:</b> PAR20
<b>BASE TYPE:</b> E26 (Medium)
<b>WATTAGE:</b> 5W
<b>COLOR TEMPERATURE:</b> 2700–5000K
<b>COLOR RENDERING INDEX (CRI):</b> >80
<b>WARRANTY:</b> 3 Years
<b>RATED LIFE:</b> L70 (25,000 Hours)



### TYPICAL APPLICATIONS

- Track Lighting
- Display
- Flood and SpotLighting
- Outdoor fixtures (with suitable protection from the elements)

### PRODUCT FEATURES

- Energy Efficient, 80%+ Energy Savings over Legacy Equivalents
- Lower Heat Generation than Legacy Equivalents
- PF >0.70
- Complies with Part 15 of FCC
- Smooth, uniform dimming
- Precision crafted full face optics for precise beam angle control
- Durable Plastic housing lowers the risk for breakage
- Operating temperature range –4°F/–20°C to 113°F/45°C
- Long Life minimizes replacement and maintenance costs
- ANSI complaint construction ensures fitment for intended applications
- Meets Energy Star requirements
- UL Listed
- Rated for use in wet location

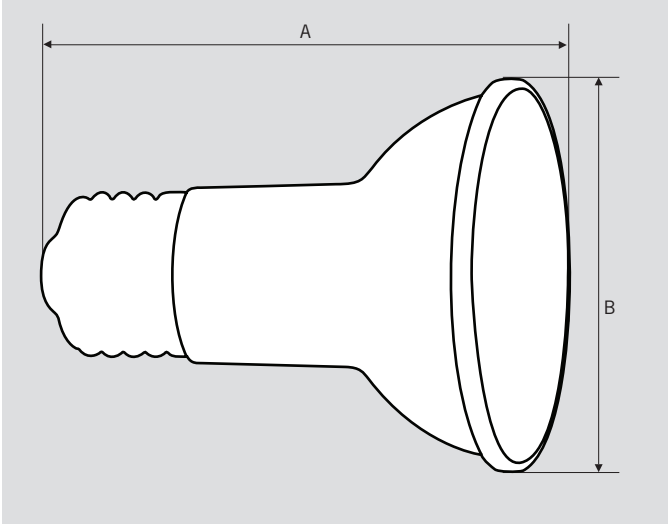
### ELECTRICAL AND PERFORMANCE SPECIFICATIONS

Keystone Catalog Number	Description	Color Temp	Input Voltage	Rated Lamp Wattage	Legacy Equivalent Wattage	Base Type	Lumens	Energy Star CBCP	CRI	Light Distribution	Dimmable	Efficacy
KT-LED5PAR20-F-827	PAR20 bulb. Standard flood, dimmable	2700K	120V	5W	50W halogen	E26	500	TBD	>80	40°	Yes	100 lm/W
KT-LED5PAR20-F-830	PAR20 bulb. Standard flood, dimmable	3000K	120V	5W	50W halogen	E26	500	TBD	>80	40°	Yes	100 lm/W
KT-LED5PAR20-F-840	PAR20 bulb. Standard flood, dimmable	4000K	120V	5W	50W halogen	E26	500	TBD	>80	40°	Yes	100 lm/W
KT-LED5PAR20-F-850	PAR20 bulb. Standard flood, dimmable	5000K	120V	5W	50W halogen	E26	500	TBD	>80	40°	Yes	100 lm/W

## KT-LED5PAR20-F-8XX

### REPLACEMENT LAMP

#### PHYSICAL CHARACTERISTICS



#### PACKAGING

Carton Quantity	24 pcs
Carton Dimensions	12.01" × 9.06" × 9.45"
Carton Weight	6.65 lbs

#### LAMP DIMENSIONS

A (Length)	2.48"
B (Diameter)	3.15"

BASE TYPE: E26 (Medium)

#### ORDERING INFORMATION

ORDER CODE	CARTON QUANTITY	ITEM STATUS
KT-LED5PAR20-F-8XX	24 pcs	Active

#### CATALOG NUMBER BREAKDOWN

## KT-LED5PAR20-F-8XX

1 2 3 4 5 6 7

- 1 Keystone Technologies
- 2 LED Lamp
- 3 Wattage
- 4 Lamp Shape
- 5 Standard Flood
- 6 800 Series
- 7 Color Temperature