



ESSENTIAL SERIES

GENERAL PURPOSE LED BULBS

KT-LED6MR16-S-8XX /G2

35W REPLACEMENT LAMP

DESCRIPTION

6.5W MR16 Lamp | 2700–5000K | >80 CRI | Spot Light



LAMP TYPE: MR16
BASE TYPE: GU5.3
WATTAGE: 6.5W
COLOR TEMPERATURE: 2700–5000K
COLOR RENDERING INDEX (CRI): > 80
WARRANTY: 3 Years
RATED LIFE: L70 (15,000 Hours)



TYPICAL APPLICATIONS

- Track-lighting
- Display
- Under-cabinet
- Outdoor landscaping (with suitable protection from the elements)

PRODUCT FEATURES

- Energy efficient, 80%+ energy savings over legacy equivalents
- Lower heat generation than legacy equivalents
- Smooth, uniform dimming to 10%
- Precision-crafted, full-face optics for precise beam angle control
- Durable plastic housing lowers the risk of breakage
- Long life minimizes replacement and maintenance costs
- Compatible with Keystone low voltage transformers
- Suitable for damp locations
- Operating temperature range: –4°F/–20°C to 95°F/35°C
- PF: > 0.9
- Rated for open and recessed fixtures
- ANSI compliant construction ensures fitment for intended applications
- UL Listed
- Meets Energy Star requirements
- Complies with Part 15 of FCC

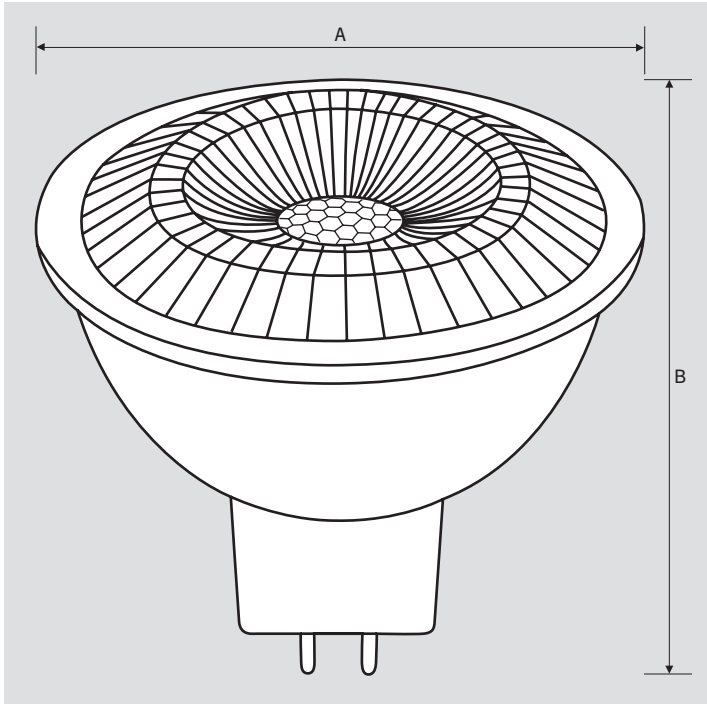
ELECTRICAL AND PERFORMANCE SPECIFICATIONS

Keystone Catalog Number	Description	Base Type	Rated Lamp Wattage	Legacy Equivalent	CCT	Lumens	Efficacy	Input Voltage	CRI	Beam Angle	Energy Star CBCP	Dimmable
KT-LED6MR16-S-827 /G2	MR16 spot light*	GU5.3	6.5W	35W halogen	2700K	460	71 lm/W	12V	>80	35°	957	Yes
KT-LED6MR16-S-830 /G2	MR16 spot light*	GU5.3	6.5W	35W halogen	3000K	460	71 lm/W	12V	>80	35°	997	Yes
KT-LED6MR16-S-840 /G2	MR16 spot light*	GU5.3	6.5W	35W halogen	4000K	460	71 lm/W	12V	>80	35°	1137	Yes
KT-LED6MR16-S-850 /G2	MR16 spot light*	GU5.3	6.5W	35W halogen	5000K	460	71 lm/W	12V	>80	35°	1013	Yes

* Requires 12V transformer

KT-LED6MR16-S-8XX /G2 REPLACEMENT LAMP

PHYSICAL CHARACTERISTICS



LAMP DIMENSIONS

A (Diameter)	1.97"
B (Length)	1.91"

BASE TYPE: GU5.3

RATED LIFE

L70 (Hours)	15,000
-------------	--------

PACKAGING

Carton Quantity	60 pcs
Carton Dimensions	12.95" × 10.91" × 6.54"
Carton Weight	8.5 lbs

ORDERING INFORMATION

ORDER CODE	CARTON QUANTITY	UPC	EASY CODE	ENERGY STAR UNIQUE ID
KT-LED6MR16-S-827 /G2	60 pcs	843654141459	FXU-38	2398496
KT-LED6MR16-S-830 /G2	60 pcs	843654141466	SZM-70	2398497
KT-LED6MR16-S-840 /G2	60 pcs	843654141473	EWT-73	2398498
KT-LED6MR16-S-850 /G2	60 pcs	843654141480	EFI-52	2398499

CATALOG NUMBER BREAKDOWN

KT-LED6MR16-S-8XX /G2

1 2 3 4 5 6 7 8 9

- 1 Keystone Technologies
- 2 LED Lamp
- 3 Wattage
- 4 Multi-Faceted Reflector
- 5 Lamp Diameter (16/8")
- 6 Spot Light
- 7 80 CRI
- 8 CCT
- 9 Generation 2