



# ESSENTIAL SERIES

GENERAL PURPOSE LED BULBS

## KT-LED7.5MR16-NS-9XX

REPLACEMENT LAMP

### DESCRIPTION

7.5W MR16 Lamp | 2700–5000K | >90 CRI | Narrow Spot Light



**3 YEAR**  
WARRANTY

<b>LAMP TYPE:</b> MR16
<b>BASE TYPE:</b> GU5.3
<b>WATTAGE:</b> 7.5W
<b>COLOR TEMPERATURE:</b> 2700–5000K
<b>COLOR RENDERING INDEX (CRI):</b> >90
<b>WARRANTY:</b> 3 Years
<b>RATED LIFE:</b> L70 (25,000 Hours)



### TYPICAL APPLICATIONS

- Track Lighting
- Outdoor Landscape (with suitable protection from the elements)
- Display
- Undercabinet

### PRODUCT FEATURES

- Energy Efficient, 80%+ Energy Savings over Legacy Equivalents
- Lower Heat Generation than Legacy Equivalents
- Rated for open and recessed fixtures
- PF >0.90
- Complies with Part 15 of FCC
- HiCRI LED's offer enhanced color rendering vs 80 CRI LED's, providing ideal clarity, representation, and uniformity of illuminated area/objects
- Smooth, uniform dimming
- Title 20 Compliant
- Operating temperature range –4°F/–20°C to 95°F/35°C
- Long Life minimizes replacement and maintenance costs
- ANSI complaint construction ensures fitment for intended applications
- Meets Energy Star requirements
- UL Listed
- Durable Plastic housing lowers the risk for breakage
- Precision crafted full face optics for precise beam angle control
- Compatible with Keystone Low Voltage Transformers

### ELECTRICAL AND PERFORMANCE SPECIFICATIONS

Keystone Catalog Number	Description	Color Temp	Input Voltage	Rated Lamp Wattage	Legacy Equivalent Wattage	Base Type	Lumens	CRI	Light Distribution	Dimmable	Efficacy
KT-LED7.5MR16-NS-927	MR16 bulb. Narrow Spot light, dimmable	2700K	12V	7.5W	75W halogen	GU5.3	570	>90	25°	Yes	76 lm/W
KT-LED7.5MR16-NS-930	MR16 bulb. Narrow Spot light, dimmable	3000K	12V	7.5W	75W halogen	GU5.3	570	>90	25°	Yes	76 lm/W
KT-LED7.5MR16-NS-940	MR16 bulb. Narrow Spot light, dimmable	4000K	12V	7.5W	75W halogen	GU5.3	570	>90	25°	Yes	76 lm/W
KT-LED7.5MR16-NS-950	MR16 bulb. Narrow Spot light, dimmable	5000K	12V	7.5W	75W halogen	GU5.3	570	>90	25°	Yes	76 lm/W



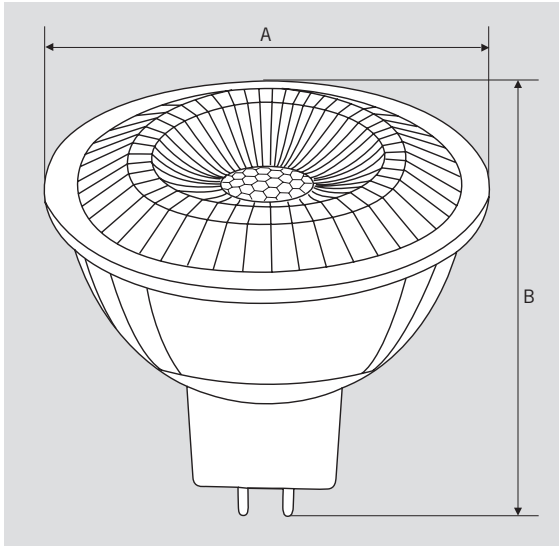
# ESSENTIAL SERIES

GENERAL PURPOSE LED BULBS

## KT-LED7.5MR16-NS-9XX

REPLACEMENT LAMP

### PHYSICAL CHARACTERISTICS



### PACKAGING

Carton Quantity	60 pcs
Carton Dimensions	12.95" x 10.91" x 6.54"
Carton Weight	9.5 lbs

### LAMP DIMENSIONS

A (Length)	1.97"
B (Diameter)	1.91"

BASE TYPE: GU5.3

### ORDERING INFORMATION

ORDER CODE	CARTON QUANTITY	ITEM STATUS
KT-LED7.5MR16-NS-9XX	60 pcs	Active

### CATALOG NUMBER BREAKDOWN

# KT-LED7.5MR16-NS-9XX

1 2 3 4 5 6 7

- 1 Keystone Technologies
- 2 LED Lamp
- 3 Wattage
- 4 Lamp Shape
- 5 Narrow Spot Light
- 6 900 Series
- 7 Color Temperature



# ESSENTIAL SERIES

GENERAL PURPOSE LED BULBS

## KT-LED7.5MR16-NS-9XX REPLACEMENT LAMP

### DESCRIPTION

7.5W MR16 Lamp | 2700–5000K | >90 CRI | Narrow Spot Light



<b>LAMP TYPE:</b> MR16
<b>BASE TYPE:</b> GU5.3
<b>WATTAGE:</b> 7.5W
<b>COLOR TEMPERATURE:</b> 2700–5000K
<b>COLOR RENDERING INDEX (CRI):</b> >90
<b>WARRANTY:</b> 3 Years
<b>RATED LIFE:</b> L70 (25,000 Hours)



### TYPICAL APPLICATIONS

- Track Lighting
- Outdoor Landscape (with suitable protection from the elements)
- Display
- Undercabinet

### PRODUCT FEATURES

- Energy Efficient, 80%+ Energy Savings over Legacy Equivalents
- Lower Heat Generation than Legacy Equivalents
- Rated for open and recessed fixtures
- PF >0.90
- Complies with Part 15 of FCC
- HiCRI LED's offer enhanced color rendering vs 80 CRI LED's, providing ideal clarity, representation, and uniformity of illuminated area/objects
- Smooth, uniform dimming
- Title 20 Compliant
- Operating temperature range –4°F/–20°C to 95°F/35°C
- Long Life minimizes replacement and maintenance costs
- ANSI complaint construction ensures fitment for intended applications
- Meets Energy Star requirements
- UL Listed
- Durable Plastic housing lowers the risk for breakage
- Precision crafted full face optics for precise beam angle control
- Compatible with Keystone Low Voltage Transformers

### ELECTRICAL AND PERFORMANCE SPECIFICATIONS

Keystone Catalog Number	Description	Color Temp	Input Voltage	Rated Lamp Wattage	Legacy Equivalent Wattage	Base Type	Lumens	CRI	Light Distribution	Dimmable	Efficacy
KT-LED7.5MR16-NS-927	MR16 bulb. Narrow Spot light, dimmable	2700K	12V	7.5W	75W halogen	GU5.3	570	>90	25°	Yes	76 lm/W
KT-LED7.5MR16-NS-930	MR16 bulb. Narrow Spot light, dimmable	3000K	12V	7.5W	75W halogen	GU5.3	570	>90	25°	Yes	76 lm/W
KT-LED7.5MR16-NS-940	MR16 bulb. Narrow Spot light, dimmable	4000K	12V	7.5W	75W halogen	GU5.3	570	>90	25°	Yes	76 lm/W
KT-LED7.5MR16-NS-950	MR16 bulb. Narrow Spot light, dimmable	5000K	12V	7.5W	75W halogen	GU5.3	570	>90	25°	Yes	76 lm/W



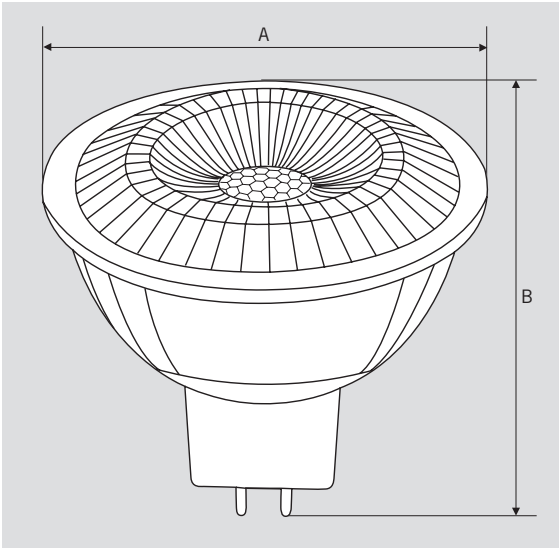
# ESSENTIAL SERIES

GENERAL PURPOSE LED BULBS

## KT-LED7.5MR16-NS-9XX

REPLACEMENT LAMP

### PHYSICAL CHARACTERISTICS



### PACKAGING

Carton Quantity	60 pcs
Carton Dimensions	12.95" x 10.91" x 6.54"
Carton Weight	9.5 lbs

### LAMP DIMENSIONS

A (Length)	1.97"
B (Diameter)	1.91"

BASE TYPE: GU5.3

### ORDERING INFORMATION

ORDER CODE	CARTON QUANTITY	ITEM STATUS
KT-LED7.5MR16-NS-9XX	60 pcs	Active

### CATALOG NUMBER BREAKDOWN

# KT-LED7.5MR16-NS-9XX

1 2 3 4 5 6 7

- 1 Keystone Technologies
- 2 LED Lamp
- 3 Wattage
- 4 Lamp Shape
- 5 Narrow Spot Light
- 6 900 Series
- 7 Color Temperature