

## KT-LED9.5A19-0-8XX /G2 REPLACEMENT LAMP

### DESCRIPTION

9.5W A19 Lamp | 2700–5000K | >80 CRI | Omni-Directional



RoHS  
Compliant

**3YEAR**  
WARRANTY

|                                         |
|-----------------------------------------|
| <b>LAMP TYPE:</b> A19                   |
| <b>BASE TYPE:</b> E26 (Medium)          |
| <b>WATTAGE:</b> 9.5W                    |
| <b>COLOR TEMPERATURE:</b> 2700–5000K    |
| <b>COLOR RENDERING INDEX (CRI):</b> >80 |
| <b>WARRANTY:</b> 3 Years                |
| <b>RATED LIFE:</b> L70 (15,000 Hours)   |



### TYPICAL APPLICATIONS

- Table, Desk, and Floor Lamps
- Wall Sconces
- Surface Mount Ceiling Fixtures
- General Lighting
- Pendant Lights

### PRODUCT FEATURES

- Energy Efficient, 80%+ Energy Savings over Legacy Equivalents
- Lower Heat Generation than Legacy Equivalents
- PF >0.70
- Complies with Part 15 of FCC
- Durable Plastic housing lowers the risk for breakage
- ANSI complaint construction ensures fitment for intended applications
- Rated for open, recessed, and enclosed fixtures
- Operating temperature range –4°F/–20°C to 95°F/35°C
- Long Life minimizes replacement and maintenance costs
- Meets Energy Star requirements
- UL Listed
- Smooth diffused lens for comfortable glare free performance
- Smooth, uniform dimming
- Suitable for damp locations

### ELECTRICAL AND PERFORMANCE SPECIFICATIONS

| Keystone Catalog Number | Description                          | Color Temp | Input Voltage | Rated Lamp Wattage | Legacy Equivalent Wattage | Base Type | Lumens | CRI | Beam Angle | Dimmable | Efficacy |
|-------------------------|--------------------------------------|------------|---------------|--------------------|---------------------------|-----------|--------|-----|------------|----------|----------|
| KT-LED9.5A19-0-827 /G2  | A19 bulb. Omni-Directional, dimmable | 2700K      | 120V          | 9.5W               | 60W                       | E26       | 800    | >80 | 230°       | Yes      | 84 lm/W  |
| KT-LED9.5A19-0-830 /G2  | A19 bulb. Omni-Directional, dimmable | 3000K      | 120V          | 9.5W               | 60W                       | E26       | 800    | >80 | 230°       | Yes      | 84 lm/W  |
| KT-LED9.5A19-0-835 /G2  | A19 bulb. Omni-Directional, dimmable | 3500K      | 120V          | 9.5W               | 60W                       | E26       | 800    | >80 | 230°       | Yes      | 84 lm/W  |
| KT-LED9.5A19-0-840 /G2  | A19 bulb. Omni-Directional, dimmable | 4000K      | 120V          | 9.5W               | 60W                       | E26       | 800    | >80 | 230°       | Yes      | 84 lm/W  |
| KT-LED9.5A19-0-850 /G2  | A19 bulb. Omni-Directional, dimmable | 5000K      | 120V          | 9.5W               | 60W                       | E26       | 800    | >80 | 230°       | Yes      | 84 lm/W  |

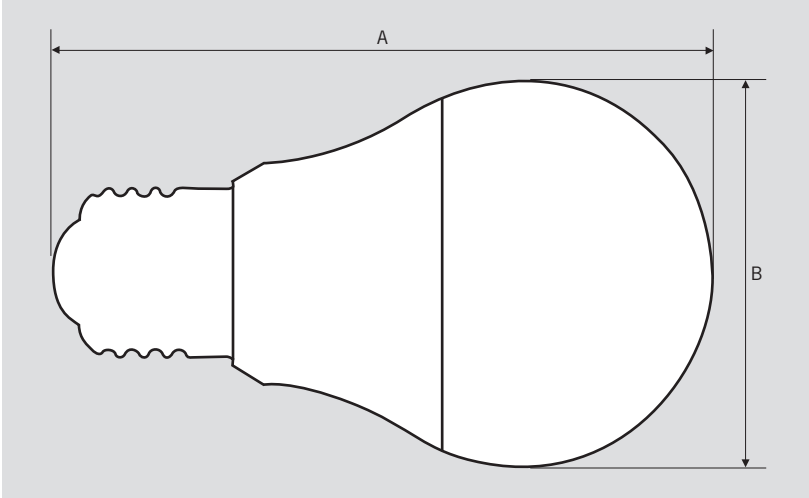


# ESSENTIAL SERIES

GENERAL PURPOSE LED BULBS

## KT-LED9.5A19-0-8XX /G2 REPLACEMENT LAMP

### PHYSICAL CHARACTERISTICS



### PACKAGING

|                   |                         |
|-------------------|-------------------------|
| Carton Quantity   | 60 pcs                  |
| Carton Dimensions | 24.61" x 14.76" x 4.72" |
| Carton Weight     | 7.34 lbs                |

### LAMP DIMENSIONS

|              |       |
|--------------|-------|
| A (Length)   | 3.94" |
| B (Diameter) | 2.36" |

BASE TYPE: E26 (Medium)

### ORDERING INFORMATION

| CATALOG NUMBER         | CARTON QUANTITY | EASY CODE | UPC          |
|------------------------|-----------------|-----------|--------------|
| KT-LED9.5A19-0-827 /G2 | 60 pcs          | OSD-58    | 843654130170 |
| KT-LED9.5A19-0-830 /G2 | 60 pcs          | UDH-32    | 843654130187 |
| KT-LED9.5A19-0-835 /G2 | 60 pcs          | XUC-27    | 843654130194 |
| KT-LED9.5A19-0-840 /G2 | 60 pcs          | AHJ-60    | 843654130200 |
| KT-LED9.5A19-0-850 /G2 | 60 pcs          | RNV-78    | 843654130217 |

### CATALOG NUMBER BREAKDOWN

# KT-LED9.5A19-0-8XX /G2

1 2 3 4 5 6 7 8

- 1 Keystone Technologies
- 2 LED Lamp
- 3 Wattage
- 4 Lamp Shape
- 5 Omni-Directional
- 6 800 Series
- 7 Color Temperature
- 8 Generation 2