



6" Vertical Triple Tube Lensed Downlight

LF6CFV

One 26W, 32W or 42W Triple Tube
Compact Fluorescent

4-pin Lamp
120V-277V

DATE: _____ TYPE: _____

FIRM NAME: _____

PROJECT: _____



Ceiling Cutout: 6-1/4"
Maximum Ceiling Thickness: 1-1/4"
For conversion to millimeters,
multiply inches by 25.4
Not to Scale

APPLICATIONS:

The LF6CFV offers a vertically lamped compact fluorescent lensed downlight fixture. The multi-watt, multi-volt ballast provides the ability to change wattages by simply changing the lamp. This luminaire is ideal for a wide variety of low to medium height ceiling applications including commercial, retail, hospitality, and design build.

HOUSING:

One-piece 22-gauge galvanized steel platform. Prewired J-box with snap-on cover for easy access. Same housing accommodates downlight, wall wash downlight, and lensed downlight reflectors.

REFLECTOR:

High purity aluminum, Alzak, iridescence suppressed, semi-diffuse reflector. Self-trim standard. White painted splay standard.

BALLAST:

One (1) compact fluorescent Class 'P' electronic multi-volt (120V through 277V) HPF ballast suitable for operating all 26W, 32W, and 42W triple tube lamps. All ballast options are equipped with EOL protection. Accessible from below ceiling. Contact technical support for 347V.

LAMP:

Use one (1) 26W (GX24q-3 base), 32W (GX24q-3 base), or 42W (GX24q-4 base) 4-pin triple tube compact fluorescent lamp. Lamp furnished by others or as option below.

SOCKET:

One (1) injection molded socket suitable for 26W, 32W, and 42W triple tube lamps (vented). Adjusts to two positions, upper position for 42W and lower position for 26W/32W, accommodating various lamp sizes and ensuring proper lamp position.

INSTALLATION:

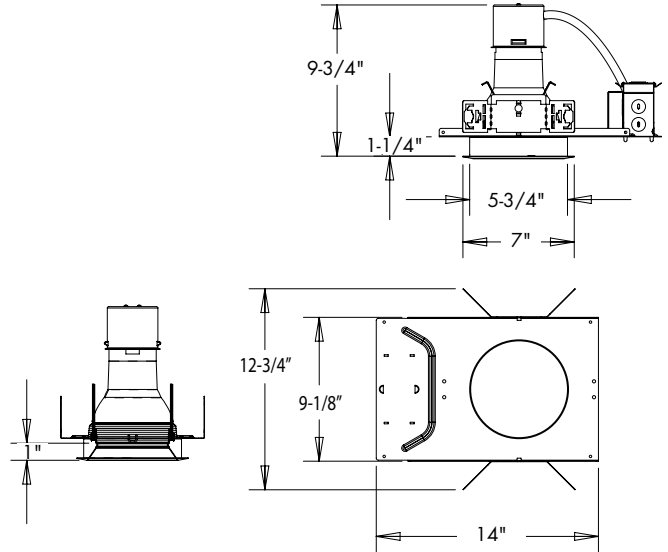
Universal adjustable mounting brackets accept 1/2" EMT conduit or 1 1/2" or 3/4" lathing channel (by others) or Prescolite 24" bar hangers (B24 or B6). Light commercial bar hangers included.

LABELS:

UL listed or UL/CSA listed with CDN option for wet locations with lensed trims. UL, CUL listed for damp locations for EMR housing option. Approved for through wiring (4 in, 4 out). Non-IC type.

LAMP INCLUDED OPTION:

Specify lamp type T (Triple 4-pin) and temperature as shown below.



Order housing, reflector and accessories separately.

CATALOG NUMBER:

EXAMPLE: LF6CFV32EB 6CFVCGFL LP32T30K

| HOUSING | WATTAGE | BALLAST | VOLTAGE | HSG. OPTIONS | REFLECTOR | SPLAY COLOR | LENS | TRIM OPTIONS | ACCESSORIES |
|---------------------------------|--|---|---|---|---|---|--|--|---|
| <input type="checkbox"/> LF6CFV | <input type="checkbox"/> 32 26/32/42W Triple Tube | <input type="checkbox"/> EB Electronic | <input type="checkbox"/> Blank 120V-277V <input type="checkbox"/> CDN Canadian Electrical code compliant ballast disconnect <input type="checkbox"/> CDN 347V ⁵ Canadian Electrical code compliant ballast disconnect | <input type="checkbox"/> CP ² Chicago Plenum CP fixture height is 11 7/8" <input type="checkbox"/> FSDFA Fuse kit installed at factory <input type="checkbox"/> RIF1 ^{1,2} Radio interference filter (single circuit) <input type="checkbox"/> EMR ^{1,2,3} Emergency battery pack with remote test switch and indicator light <input type="checkbox"/> DM Electronic Analog Dimming Ballast to 3%, 4-wire, 0-10V (120-277V) <input type="checkbox"/> MW26 Max Wattage label, 26W <input type="checkbox"/> MW32 Max Wattage label, 32W <input type="checkbox"/> SYL ⁴ Osram Sylvania Ballast (available only for standard EB option) <input type="checkbox"/> ECDM ⁶ Lutron EcoSystem or 3-wire line voltage dimming ballast (120-277V). Dims to 5%. | <input type="checkbox"/> 7DM Advance Mark 7™ Dimming Ballast to 5%, 4-wire, 0-10V, analog (120V thru 277V) <input type="checkbox"/> XDM Advance Mark 10™ Dimming Ballast to 5%, 2-wire line voltage (specify voltage) <input type="checkbox"/> HDM ⁷ Lutron Hi-Lume® Dimming Ballast to 1%, 3-wire line voltage (specify voltage) <input type="checkbox"/> 2DM ^{7,8} Lutron Tu-Wire Dimming Ballast to 5, 2-wire, line voltage (120V only) <input type="checkbox"/> SMT Philips Advance SmartMate® ballast | <input type="checkbox"/> 6CFV 6" Alzak Semi-Diffuse <input type="checkbox"/> Blank Painted White <input type="checkbox"/> CR Clear Alzak <input type="checkbox"/> CG Champagne Gold Alzak <input type="checkbox"/> PW Pewter Alzak <input type="checkbox"/> WE Wheat Alzak <input type="checkbox"/> LW Light Wheat Alzak | <input type="checkbox"/> FL Regressed Fresnel <input type="checkbox"/> PL Regressed Prismatic <input type="checkbox"/> DL Regressed Diffuse <input type="checkbox"/> CL Regressed Clear | <input type="checkbox"/> WT White Flange (Alzak Only) <input type="checkbox"/> TRG Trim Ring Gasket (factory installed) <input type="checkbox"/> FSDFI Fuse kit for field installation <input type="checkbox"/> SCA6 Sloped ceiling adapter (see note on back page) | <input type="checkbox"/> B24 Set of (2) 24" bar hangers for T-bar ceilings <input type="checkbox"/> B6 Set of (2) bar hangers for ceiling joists up to 24" centers <input type="checkbox"/> LP -wattage= 26, 32, 42 -type= T (Triple 4-pin) -temp= 27K, 30K, 35K, 41K (Kelvin) *Example: LP32T30K |

¹RIF1 and EMR options not offered in combination
²CP not offered in combination with RIF1 or EMR
³UL, CUL listed for damp locations
⁴Available for Osram Sylvania Quick 60+® Limited Warranty when used with Osram lamp(s). See www.prescolite.com for details.
⁵Dimming option not available for 347V
⁶For 42W specify LF6CFV42EBECDDM
⁷Not available for 42W
⁸For 26W specify LF6CFV26EB2DM, 32W specify LF6CFV32EB2DM

PHOTOMETRIC DATA

LiteFrame® - 6" Vertical Triple Tube Lensed Downlight - LF6CFV

BALLAST DATA CFLH1/CFLV

| | 26W Triple | | | 32W Triple | | | 42W Triple | | |
|---------------------------|------------|-------|-------|------------|-------|-------|------------|-------|-------|
| | 120V | 277V | 347V | 120V | 277V | 347V | 120V | 277V | 347V |
| Total System Watts | 29 | 29 | 31 | 36 | 36 | 36 | 46 | 46 | 50 |
| Input Current (Amps) | 0.24 | 0.11 | 0.09 | 0.31 | 0.13 | 0.11 | 0.38 | 0.17 | 0.15 |
| Input Frequency in Hz | 50/60 | 50/60 | 50/60 | 50/60 | 50/60 | 50/60 | 50/60 | 50/60 | 50/60 |
| Power Factor <.98 | <.98 | <.95 | | <.98 | <.98 | <.95 | <.98 | <.98 | <.95 |
| Ballast Factor <1.1 | <1.1 | <1.02 | | <.98 | <.98 | <.98 | <.98 | <.98 | <1.0 |
| Total Harmonic Distortion | <10% | <10% | <10% | <10% | <10% | <10% | <10% | <10% | <10% |

LAMP DATA CFLH1/CFLV

| Rated Watts | 26W Triple | 32W Triple | 42W Triple |
|---------------------|------------|------------|------------|
| Rated Lumens | 1710 | 2200 | 3200 |
| Efficacy (LPW) | 66 | 69 | 76 |
| Rated Life | 12,000 | 12,000 | 12,000 |
| CRI 82 | 82 | 82 | |
| Min. Starting Temp. | 32°F | 32°F | 32°F |

LUMINANCE DATA IN CANDELA/SQ. METER

| Angle in Vertical | Average 0° |
|-------------------|------------|
| 45° | 20421 |
| 55° | 12484 |
| 65° | 6354 |
| 75° | 4611 |
| 85° | 2739 |

AVERAGE INITIAL FOOTCANDLES

Multiple Units (Square Array)
Ceiling 80% Wall 50% Floor 20%

Assumptions:

- Multiple Units (Square Array)
- Ceiling 80% Wall 50% Floor 20%
- 4 Fixtures evenly spaced in the center of the room.
- The room is square and has a width and length equal to twice the lamp spacing.
- The lumen depreciation factor is 0.8.
- The dirt depreciation factor is 0.98.

42W Triple

| SPACING | RCR1 | RCR3 | RCR7 |
|---------|------|------|------|
| 7.0 | 18 | 15 | 10 |
| 8.0 | 14 | 11 | 8 |
| 9.0 | 11 | 9 | 6 |
| 10.0 | 9 | 7 | 5 |
| 11.0 | 7 | 6 | 4 |
| 12.0 | 6 | 5 | 3 |
| 13.0 | 5 | 4 | 3 |
| 14.0 | 4 | 4 | 3 |
| 15.0 | 4 | 3 | 2 |

COEFFICIENTS OF UTILIZATION Zonal Cavity Method

| Room Cavity Ratio | % Effective Ceiling Cavity Reflectance | | | | | | | | | | | | | | |
|-------------------|--|-----|-----|-----|-----|-----|-----|-----|-----|-----|-----|-----|-----|-----|--|
| | 80% | | | 70% | | | 50% | | | 30% | | | 10% | | |
| | 20% Effective Floor Cavity Reflectance | | | | | | | | | | | | | | |
| | % Wall Reflectance | | | | | | | | | | | | | | |
| | 70 | 50 | 30 | 10 | 70 | 50 | 30 | 10 | 50 | 30 | 10 | 50 | 30 | 10 | |
| 1 | .37 | .35 | .34 | .33 | .36 | .35 | .34 | .33 | .33 | .32 | .32 | .32 | .31 | .31 | |
| 2 | .34 | .32 | .30 | .29 | .33 | .31 | .30 | .28 | .30 | .29 | .28 | .29 | .28 | .27 | |
| 3 | .31 | .29 | .27 | .25 | .31 | .28 | .26 | .25 | .27 | .26 | .24 | .26 | .25 | .24 | |
| 4 | .29 | .26 | .24 | .22 | .29 | .26 | .23 | .22 | .25 | .23 | .21 | .24 | .22 | .21 | |
| 5 | .27 | .24 | .21 | .19 | .27 | .23 | .21 | .19 | .23 | .21 | .19 | .22 | .20 | .19 | |
| 6 | .25 | .22 | .19 | .17 | .25 | .21 | .19 | .17 | .21 | .19 | .17 | .20 | .18 | .17 | |
| 7 | .24 | .20 | .17 | .16 | .23 | .20 | .17 | .16 | .19 | .17 | .15 | .19 | .17 | .15 | |
| 8 | .22 | .18 | .16 | .14 | .22 | .18 | .16 | .14 | .18 | .16 | .14 | .17 | .15 | .14 | |
| 9 | .21 | .17 | .15 | .13 | .20 | .17 | .14 | .13 | .16 | .14 | .13 | .16 | .14 | .13 | |
| 10 | .20 | .16 | .13 | .12 | .19 | .16 | .13 | .12 | .15 | .13 | .12 | .15 | .13 | .12 | |

CFT632EB-STF602

Test No. 546

NOTES

Refer to www.prescolite.com for additional photometric tests (IES Files).

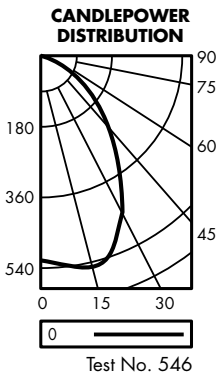
When ordering a sloped ceiling adapter, specify the degree of slope in 5° increments, max. of 35°. For a more precise degree or wet ceiling applications, please contact factory. Sloped ceiling adapter and housing must be installed at the same time prior to finish ceiling installation.

LF6CFV32EB/6CFVCL with Clear Alzak Reflector and Clear Lens

Lamp: 1-F42TBX/835/A

Spacing Criteria: 1.2

Efficiency: 32.8%



CANDLEPOWER SUMMARY

| Angle | 0° |
|-------|-----|
| 0 | 525 |
| 5 | 526 |
| 10 | 539 |
| 15 | 548 |
| 20 | 542 |
| 25 | 507 |
| 30 | 455 |
| 35 | 388 |
| 40 | 316 |
| 45 | 242 |
| 50 | 175 |
| 55 | 120 |
| 60 | 74 |
| 65 | 45 |
| 70 | 35 |
| 75 | 20 |
| 80 | 9 |
| 85 | 4 |
| 90 | 0 |

