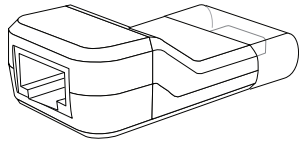


Catalog Number • Numéro de Catalogue • Número de Catálogo: LMCI-100

Country of Origin: Made in China • Pays d'origine: Fabriqué en Chine • País de origen: Hecho en China



This unit has no adjustments.

For full operational details and more features of the product, see the DLM System Installation Guide provided with Wattstopper room controllers, and also available at www.legrand.us/wattstopper.

Installation shall be in accordance with all applicable regulations, local and NEC codes. Wire connections shall be rated suitable for the wire size (lead and building wiring) employed.

For Class 2 DLM devices and device wiring: To be connected to a Class 2 power source only. Do not reclassify and install as Class 1, or Power and Lighting Wiring.

SPECIFICATIONS

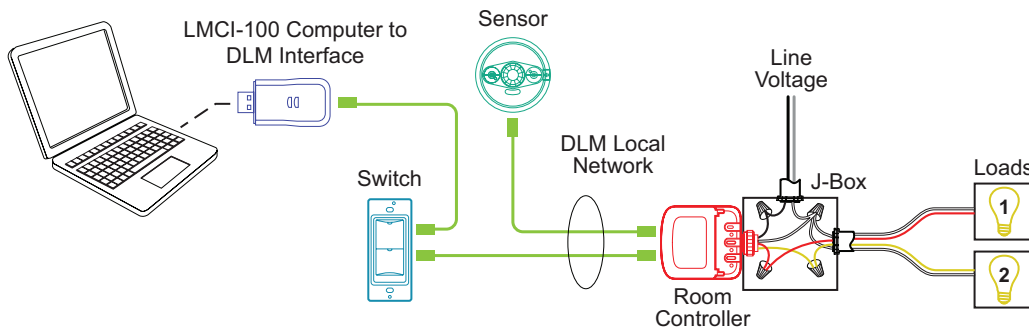
Connection to the DLM Local Network:.....	1 RJ45 port
Voltage	24VDC
Current consumption.....	7mA
Connection to computer:	1 USB connector
Voltage	5VDC
Current consumption.....	15mA
Environment:	
Operating Temperature	32° to 131°F (0° to 55°C)
Storage Temperature	23° to 176°F (-5° to 80°C)
Relative Humidity	5 to 95% (non condensing)
This device complies with Part 15 of the FCC Rules. Operation is subject to the following two conditions: (1) this device may not cause harmful interference, and (2) this device must accept any interference received, including interference that may cause undesired operation.	

DESCRIPTION

The Wattstopper LMCI-100 Computer to DLM Interface is a USB dongle that connects a computer's USB port to the Digital Lighting Management (DLM) local network through its RJ45 connector. It works in conjunction with the LMCS-100 Digital Lighting Management computer software allowing users to read, store configurations, and modify DLM parameters for easy computer based configuration.

CONNECTION DIRECTIONS

Plug the LMCI-100 into a USB port on the computer running the LMCS-100 software. Plug an LMRJ cable from the DLM Local Network into the RJ45 port on the LMCI-100.

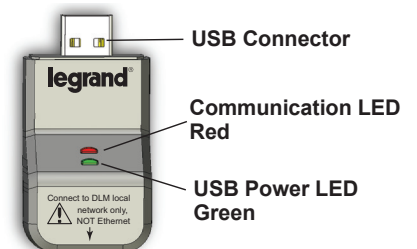


CAUTION: TO CONNECT A COMPUTER TO THE DLM LOCAL NETWORK USE THE LMCI-100. NEVER CONNECT THE DLM LOCAL NETWORK TO AN ETHERNET PORT – IT MAY DAMAGE COMPUTERS AND OTHER CONNECTED EQUIPMENT.

POWER-UP FUNCTIONALITY

Upon connecting the LMCI-100 to a computer running the LMCS-100 DLM software and then to the DLM local network, the LMCI-100 is ready to send and receive signals from the DLM system.

The power LED (green) on the LMCI-100 turns on indicating the unit is receiving power from the computer's USB port. The communication LED (red) blinks to indicate it is sending and receiving DLM messages and passing them through the USB connection.



TROUBLESHOOTING

Power LED is not on.	<ol style="list-style-type: none">1. Check that the unit is connected to the USB port of a computer.2. Check that the computer is on and running the LMCS-100 DLM software package.
The communication LED is not on and doesn't blink.	<ol style="list-style-type: none">1. Check that the unit is connected to the USB port of a computer.2. Check that the computer is on and running the LMCS-100 DLM software package.3. Check that the LMCI-100 is connected to the DLM local network through its RJ45 port: Unplug the LMRJ cable from the LMCI-100 then plug in a different DLM device to that LMRJ cable. If the device does not power up, recheck DLM local network connections between the LMCI-100 and the room controller.

WARRANTY INFORMATION

Wattstopper warrants its products to be free of defects in materials and workmanship for a period of five (5) years. There are no obligations or liabilities on the part of Wattstopper for consequential damages arising out of, or in connection with, the use or performance of this product or other indirect damages with respect to loss of property, revenue or profit, or cost of removal, installation or reinstallation.

INFORMATIONS RELATIVES À LA GARANTIE

Wattstopper garantit que ses produits sont exempts de défauts de matériaux et de fabrication pour une période de cinq (5) ans. Wattstopper ne peut être tenu responsable de tout dommage consécutif causé par ou lié à l'utilisation ou à la performance de ce produit ou tout autre dommage indirect lié à la perte de propriété, de revenus, ou de profits, ou aux coûts d'enlèvement, d'installation ou de réinstallation.

INFORMACIÓN DE LA GARANTÍA

Wattstopper garantiza que sus productos están libres de defectos en materiales y mano de obra por un período de cinco (5) años. No existen obligaciones ni responsabilidades por parte de Wattstopper por daños consecuentes que se deriven o estén relacionados con el uso o el rendimiento de este producto u otros daños indirectos con respecto a la pérdida de propiedad, renta o ganancias, o al costo de extracción, instalación o reinstalación.