



ELLIOTT ELECTRIC SUPPLY

We Deliver...Lower Cost, Quality Products, & Personal Service

3804 South Street
75964-7263, TX Nacogdoches
Phone: 936-569-7941
Fax: 936-560-4685



LT560WH6930 6" 10W Led Retro 30K *Eaton Lighting*

Catalog Number	LT560WH6930
Manufacturer	Eaton Lighting
Description	Retrofit Module-Trim, 120 V Ac, 0.085 to 0.089 A, 9.4 W, 316 Stainless Steel, Matte White, Recessed Mount, 7.75 In Length, 9 In Width, 3.75 In Height, 1.2 LB
Weight per unit	1.2 (lbs/each)
Product Category	Lighting Accessories

Features

amperage rating	85m A
Ballast Type	N/A INCH
Lamp Type	LED 0

Dimensions and Weight

Height	9.25 in
Length	7.938 in
Width	9 W

Descriptions

Description	6" 10W LED RETRO 30K
-------------	----------------------

Manufacturer Information

Brand	HALO
GTIN	00080083742417
UPC	080083742417

Taxonomies, Classifications, and Categories

Category Description	LED ARCHITECTURAL & SPECIFICATION LIGHTING
Type	5/6" LT4 LED Retrofit Trim Kit

Packaging

Carton	1
Package	6
Weight Per each	1.2

Uses, Certifications, and Standards

Mounting	Recessed
standard	Energy Star Qualified

DESCRIPTION

The Halo LT560 is an LED Baffle-Trim Module for 5" and 6" aperture recessed downlights; suitable for new construction, remodel and retrofit installation. The LT560 is UL Certified for use with Halo and All-Pro, and is UL Certified for use with other compatible 5" and 6" housings. Precision construction makes any housing AIR-TITE for added HVAC savings and code compliance.

Catalog #		Type
Project		
Comments		Date
Prepared by		

SPECIFICATION FEATURES

MECHANICAL

Module - Trim

- Module construction includes LED, heat sink, reflector, lens, baffle and trim ring

Lens

- Regressed lens
- Impact-resistant polycarbonate
- Convex form for lamp-like appearance
- Diffusing for even illumination

Mounting

- Torsion springs are pre-installed and adjust to fit 5" and 6" compatible housings

Housing Compatibility

See Housing Compatibility

LED

- Color Temperature (CCT)
Options: 2700K, 3000K, 3500K, 4000K, 5000K
- CRI: 90
- 90 CRI can be used for California Title 24 compliance/certified to Title 20

LED Chromaticity

- A tight chromaticity specification ensures LED color uniformity, sustainable Color Rendering Index (CRI) and Correlated Color Temperature (CCT) over the useful life of the LED
- LED chromaticity of 3 SDCM exceeds ENERGY STAR® color standards per ANSI C78.377- 2011
- High color performance with R9 greater than 50
- Halo LED serialized testing and measurement ensures color and lumen consistency on a per-unit basis, and validates long-term product consistency over time

ELECTRICAL

Power Connections

- LED connector is a non-screw base luminaire disconnect offering easy installation with the matching Halo 5" and 6" LED housings
- LED Connector meets California Title-24 high efficacy luminaire requirement for a non-screw base socket, and where required to qualify as a high efficacy luminaire
- The included E26 medium screw-base Edison adapter provides easy retrofit of incandescent housings (see Housing Compatibility)
- L70 at 35,000 hours.

LED Driver

- 120V 50/60 Hz constant current dimmable driver provides high-efficiency operation
- If dimming is not required the fixture can be operated from a standard wall switch

Dimming

- Designed for continuous dimming capability to nominally 10% with many 120V Leading Edge (LE) and Trailing Edge (TE) Phase Control dimmers. (Dimmers with low end trim adjustment offer greater assurance of achieving 10% level.)
- Consult dimmer manufacturer for compatibility and conditions of use

Note: some dimmers require a neutral in the wallbox.

Warranty

Five-year limited warranty.

Compliance Labels

- UL Certified 1598 Luminaire (with Halo housings - see Housing Compatibility)
- UL Certified for Wet Location covered ceiling – Shower Applications
- IP56 Ingress Protection rated
- May be installed in housings in direct contact with insulation** and combustible material

COMPLIANCE

- Airtight certified per ASTM-E283-04 (not exceeding 2.0 CFM under 75 Pascals pressure difference)
- Can be used to comply with California Title 24 High Efficacy requirements. Certified to California Title 20 Appliance Efficiency Database.*
- Can be used for International Energy Conservation Code (IECC) high efficiency luminaire compliance.
- ENERGY STAR® Certified luminaire - consult ENERGY STAR® Certified Product List*
- EMI/RFI per FCC 47CFR Part 15 Class B Consumer limits, suitable for use in residential and commercial installations
- Contains no mercury or lead and RoHS compliant.
- Photometric testing in accordance with IES LM-79
- Lumen maintenance projections in accordance with IES LM-80 and TM-21
- Can be used in closets. Compliant with NFPA 70, NEC section 410.16 (A)(1) and 410.16 (C)(3).



LT560

600 Series 5/6-Inch LED Recessed Retrofit Module-Trim

**90CRI
2700K, 3000K, 3500K,
4000K, 5000K**

**FOR USE IN
INSULATED CEILING
AND NON- INSULATED
CEILING RATED
HOUSINGS**

**HIGH-EFFICACY LED
WITH INTEGRAL
DRIVER - DIMMABLE**

ENERGY DATA

LT56 Series (Values at non-dimming line voltage)		
Input Voltage	120 VAC	
Input Current	0.085A - 0.089A (per input power)	
Input Power	LT560WH6927	9.5 W
	LT560WH6930	9.4 W
	LT560WH6935	9.6 W
	LT560WH6940	10.3 W
	LT560WH6950	9.5 W
THD	≤ 24%	
PF	≥ 0.90	
T Ambient	-30°C to +40°C	
Sound Rating	Class A	
(all values at 25°C without a dimming control in circuit)		

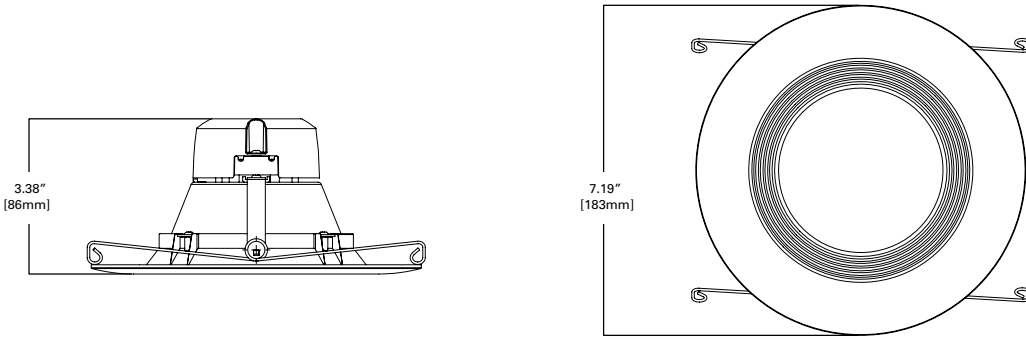


Refer to ENERGY STAR® Certified Products List.
Can be used to comply with California Title 24 High Efficacy requirements.
Certified to California Appliance Efficiency Database.

* Refer to ENERGY STAR® Certified Products List and CEC (T20) Appliance Database for listings.

** Not for use with housings in direct contact with spray foam insulation.

DIMENSIONS



ORDERING INFORMATION

SAMPLE NUMBER: LT560WH6930
 Complete unit includes an LT560 Baffle-Trim LED module and a 5" or 6" compatible housing ordered separately.

Models **Accessory (Order Separately)**

LT560WH6927= 5"/6" Retrofit Baffle - Trim LED Module, 90 CRI, 2700K, Matte White
LT560WH6930= 5"/6" Retrofit Baffle - Trim LED Module, 90 CRI, 3000K, Matte White
LT560WH6935= 5"/6" Retrofit Baffle - Trim LED Module, 90 CRI, 3500K, Matte White
LT560WH6940= 5"/6" Retrofit Baffle - Trim LED Module, 90 CRI, 4000K, Matte White
LT560WH6950= 5"/6" Retrofit Baffle - Trim LED Module, 90 CRI, 5000K, Matte White

HE26LED=Replacement screw base adapter (one included with unit)



E26 Screw base adapter for retrofit (included)

HOUSING COMPATIBILITY

Compatible Halo LED Housings with LED luminaire connector (high-efficacy compliant)

HALO LED	Recessed Can Size	Catalog Number
	5"	H550ICAT, H550RICAT, E550ICAT, E550RICAT
	6"	H750ICAT, H750RICAT, H750T, H750TCP, H2750ICAT, H2750RICAT, E750ICAT, E750RICAT

Halo LED Retrofit Enclosures

HALO	6"	ML7BXRFK, ML7E26RFK
------	----	---------------------

Compatible Halo Incandescent E26 Screwbase Housings

HALO	5"	H5ICAT, H5ICATNB, H5RICAT, H5T, H5TNB, H5RT, H5TM, H25ICAT, H25ICATNB, E5ICAT, E5ICATNB, E5RICAT, E5RTAT, E5TAT, E5TATNB
	6"	H7ICAT, H7RICAT, H7ICT, H7RICT, H7ICATNB, H7ICTNB, H7T, H7RT, H7TNB, H7TCP, H7UICAT, H7UICATNB, H27ICAT, H27RICAT, H27ICT, H27RICT, H27T, H27RT, E27ICAT, E27RICAT, E27RTAT, E27TAT, E7ICAT, E7ICATNB, E7RICAT, E7RTAT, E7TAT, E7TATNB

LT56 Series LED Retrofit is UL Certified for retrofit in the following 5/6" recessed housings:

The LT Series LED light module - trim combination is UL Certified for use with any 5"/6" diameter recessed housing constructed of steel or aluminum with an internal volume that exceeds 107.9 in³ in addition to those noted above.

Product Specifications

LT560WH6927 - 90 CRI

Lighting facts
A Program of the U.S. DOE

Light Output (Lumens) 720
Watts 9.5
Lumens per Watt (Efficacy) 75.79

Color Accuracy
Color Rendering Index (CRI) 91

Light Color
Correlated Color Temperature (CCT) 2700 (Warm White)

2700K 3000K 4500K 6500K

All results are according to IESNA LM-79-2008. Approved Method for the Electrical and Photometric Testing of Solid-State Lighting. The U.S. Department of Energy (DOE) verifies product test data and results.

Visit www.lightingfacts.com for the Label Reference Guide.

Registration Number: F4QJ-FEU49K (11/10/2017)
Model Number: LT560WH6927 (Upgrade: 11/10/2017)
Type: Luminaire - Downlight

LT560WH6930 - 90 CRI

Lighting facts
A Program of the U.S. DOE

Light Output (Lumens) 785
Watts 9.4
Lumens per Watt (Efficacy) 83.51

Color Accuracy
Color Rendering Index (CRI) 91

Light Color
Correlated Color Temperature (CCT) 3000 (Bright White)

2700K 3000K 4500K 6500K

All results are according to IESNA LM-79-2008. Approved Method for the Electrical and Photometric Testing of Solid-State Lighting. The U.S. Department of Energy (DOE) verifies product test data and results.

Visit www.lightingfacts.com for the Label Reference Guide.

Registration Number: F4QJ-GBKSDN (8/31/2017)
Model Number: LT560WH6930 (Upgrade: 8/31/2017)
Type: Luminaire - Downlight

LT560WH6935 - 90 CRI

Lighting facts
A Program of the U.S. DOE

Light Output (Lumens) 760
Watts 9.6
Lumens per Watt (Efficacy) 79.17

Color Accuracy
Color Rendering Index (CRI) 91

Light Color
Correlated Color Temperature (CCT) 3500 (Bright White)

2700K 3000K 4500K 6500K

All results are according to IESNA LM-79-2008. Approved Method for the Electrical and Photometric Testing of Solid-State Lighting. The U.S. Department of Energy (DOE) verifies product test data and results.

Visit www.lightingfacts.com for the Label Reference Guide.

Registration Number: F4QJ-DBBRZ (11/10/2017)
Model Number: LT560WH6935 (Upgrade: 11/10/2017)
Type: Luminaire - Downlight

LT560WH6940 - 90 CRI

Lighting facts
A Program of the U.S. DOE

Light Output (Lumens) 760
Watts 10.3
Lumens per Watt (Efficacy) 73.79

Color Accuracy
Color Rendering Index (CRI) 94

Light Color
Correlated Color Temperature (CCT) 4000 (Bright White)

2700K 3000K 4500K 6500K

All results are according to IESNA LM-79-2008. Approved Method for the Electrical and Photometric Testing of Solid-State Lighting. The U.S. Department of Energy (DOE) verifies product test data and results.

Visit www.lightingfacts.com for the Label Reference Guide.

Registration Number: F4QJ-RORTEU (11/10/2017)
Model Number: LT560WH6940 (Upgrade: 11/10/2017)
Type: Luminaire - Downlight

LT560WH6950 - 90 CRI

Lighting facts
A Program of the U.S. DOE

Light Output (Lumens) 780
Watts 9.5
Lumens per Watt (Efficacy) 82.11

Color Accuracy
Color Rendering Index (CRI) 94

Light Color
Correlated Color Temperature (CCT) 5000 (Daylight)

2700K 3000K 4500K 6500K

All results are according to IESNA LM-79-2008. Approved Method for the Electrical and Photometric Testing of Solid-State Lighting. The U.S. Department of Energy (DOE) verifies product test data and results.

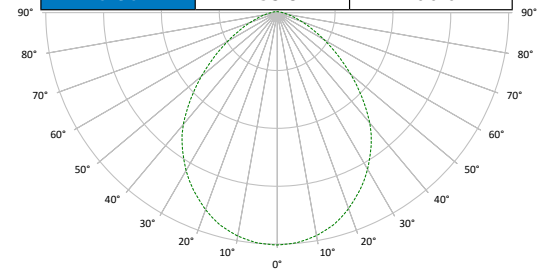
Visit www.lightingfacts.com for the Label Reference Guide.

Registration Number: F4QJ-SUPFNQ (11/10/2017)
Model Number: LT560WH6950 (Upgrade: 11/10/2017)
Type: Luminaire - Downlight

Photometric Data

LT56 Photometric*

LT560WH6930		
Luminaire lumens	783.9	
Input watts	9.5	
LER (LPW)	82.11	
Spacing Criteria	0-180	1.18
	90-270	1.18
	Diagonal	1.27
Beam angle (degrees)	94.7	
Field angle (degrees)	139.5	
Zonal lumen	Lumens	% Lumens
0-30	273	34.8
0-40	436	55.6
0-60	699.1	89.2
0-90	783.9	100.0



* Tested in accordance with IES LM63. Field results may vary.