



ELLIOTT ELECTRIC SUPPLY

We Deliver...Lower Cost, Quality Products, & Personal Service

3804 South Street
75964-7263, TX Nacogdoches
Phone: 936-569-7941
Fax: 936-560-4685



LT938P 3/8" NM LT Bullet

Thomas&Betts-Abb Ins Prod

Catalog Number	LT938P
Manufacturer	Thomas&Betts-Abb Ins Prod
Description	
Weight per unit	0.1100 (lbs/each)
Product Category	Liquid Tight Fittings

Features

Material	THERMOPLASTIC
----------	---------------

Dimensions and Weight

Size	3/8 INCH
------	----------

Descriptions

Description	3/8" NM LT BULLET
Product Type	3/8 Inch 90 Deg Bullet Connector

Manufacturer Information

Brand	Thomas & Betts
GTIN	00786210450711
Manufacturers Part Number	LT938P
UPC	786210450711

Taxonomies, Classifications, and Categories

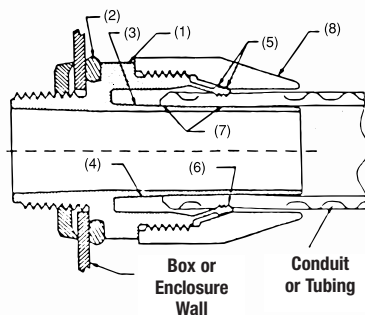
Category Description	NON-METALLIC FITTINGS
Type	Bullet-90 Degree

Packaging

Carton	10
Package	50
Weight Per each	0.11

Uses, Certifications, and Standards

Application	T&B Bullet meets performance requirements when terminating Type B liquidtight non-metallic conduit or flexible non-metallic tubing to a box or enclosure with knockout opening or threaded hub.
standard	UL E23018, CSA

XTRA FLEX® System —**Conduit, Tubing, Fittings for Non-Metallic Liquidtight Conduit****Suggested Specification:**

Where liquidtight flexible non-metallic conduit (UL Type B) or liquidtight flexible non-metallic tubing is terminated to a box or enclosure, the non-metallic connectors used shall be able to be installed without disassembly and provide a positive installation criteria. In the installed condition, the connector must provide a seal meeting watertight requirements of NEMA Type 4 and Type 6 enclosures. The performance of connectors shall be unaffected by exposure to detergents, sanitizers, cutting fluids, wire pulling compounds and oil base industrial paints. The connector must also be capable of withstanding Marine environment and cold impact simulating a hammer blow. Installed connectors shall be of the elongated gland type as manufactured by Thomas & Betts LT38P series.

Specification Sheet — Bullet® Liquidtight Fittings or Liquidtight Flexible Non-Metallic Conduit and Tubing

Application

A series of nonmetallic connectors designed to provide a liquidtight seal when terminating liquidtight nonmetallic conduit (UL Type B) or liquidtight nonmetallic tubing to a box or enclosure with knockout opening or a threaded hub.

Plastic Bullet® Liquidtight Fittings Features

- Connector assembles to conduit without disassembly and is designed to be installed with a positive installation criteria gland bottoms on body shoulder
- Rugged low profile non-metallic body and gland construction (1); the connector is equipped with a steel locknut to firmly secure connector to box or an enclosure and a sealing O-Ring
- Captivated sealing O-Ring (2) with predetermined compression for a reliable seal at enclosure
- Connector ferrule designed to accept variations in conduit inside diameter and is tolerant of field conduit cuts (3)
- The profile of ferrule is designed to reduce friction between conduit I.D. and ferrule, (4) enabling conduit to seat properly for an effective seal
- Outer surface of the clamping fingers provided with friction reducing ridges (5) for ease of installation; the inner surface is designed with conduit biting teeth to enhance clamping and sealing action (6)
- Performance of connectors tested to simulate adverse installation conditions
- Provides a double sealing action (7)
- Elongated gland nut profile (8) designed to provide additional strain relief for 90° pull and an easy hand grip.

- Performance of connector unaffected by exposure to detergents, cleaners and sanitizers commonly encountered in food processing plants and typical industrial environment; also unaffected by cutting fluids, wiring pulling compounds and marine environment. The connector meets industry standards for cold impact and simulated hammer blow.

Standard Material/Finish

- Body Gland — Weather stabilized thermoplastic (black)
- O-Ring — Nitrile (blue)
- Locknut — Steel/electro zinc plated
- Material Temperature Rating — thermoplastic -40° C to 105° C
- Material Flammability Rating: UL 94-V2

Listed/Certified by

UL (File# E23018);
CSA (File# LR52391)

Conforms to

- CSA 22.2 #227.2 & CSA 22.2 #227.3
- ANSI/U.L.514B-1988
- Watertight requirements of NEMA Type 4 and NEMA Type 6 enclosures
- Federal Standard H28 (NPT threads)
- Suitable for hazardous locations — Class I Div. 2; Class II Div. 1 & 2; Groups E, F, & G; Class III per N.E.C.; Article 501-4, 502-4 and 503-3
- NEMA 6P

XTRA FLEX® System —

Conduit, Tubing, Fittings for Non-Metallic Liquidtight Conduit



The BULLET® non-metallic liquidtight fitting — easy to use, built to take it!



- Outside surface has friction-reducing ridges
- Inner surface teeth bite into conduit or tubing to enhance clamping and sealing action
- Fitting ferrule designed to accept variations in conduit sizes and field conduit cuts
- Smooth ferrule profile reduces friction to ensure a tight conduit-to-fitting seal
- Friction-reducing ridges and teeth provide a true double seal and high pullout resistance
- Elongated gland nut offers additional strain relief for 90° pull and easy hand grip
- Rugged low-profile nonmetallic body and gland construction provides space savings
- Captivated sealing O-Ring features predetermined compression to provide a reliable seal at enclosure
- Steel locknut firmly secures fitting to box or enclosure

Plastic Bullet® Liquidtight Fittings for T&B LTC Non-Metallic Liquidtight Conduit Type B and T&B EFC Flexible Tubing

This engineering breakthrough meets the demand for a tough, reusable, non-metallic liquidtight fitting for use with XTRA FLEX® Type B conduit or flexible tubing. The BULLET® non-metallic fitting provides a reliable liquidtight seal that combines high pullout resistance and ease of installation.

The BULLET® fitting is economical because it can be used over and over again without sacrificing the quality of the original seal. When used with the XTRA FLEX® raceway system, you can meet most machine or industrial requirements where liquidtight protection is needed.

Engineered to meet your needs.

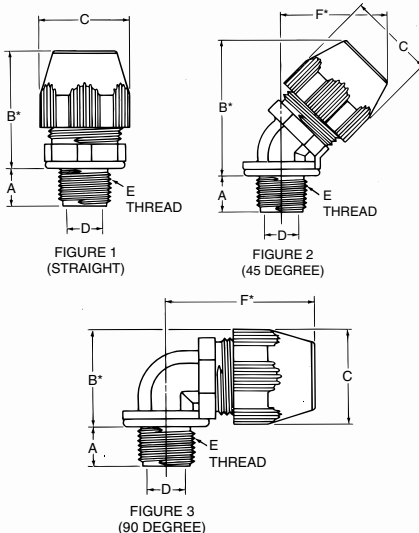
The BULLET® non-metallic fitting meets your performance requirements when terminating Type B liquidtight non-metallic conduit or flexible non-metallic tubing to a box or enclosure with knockout opening or threaded hub. Fittings meet the watertight requirements for NEMA Type 4 and Type 6 enclosures and conform to UL514B and CSA No. 22.2 #227.2 specifications.

Corrosion resistant. Built to take it.

The BULLET® liquidtight fitting is manufactured from weather-resistant thermoplastic materials and is suitable for indoor or outdoor corrosive environments. The BULLET® fitting is resistant to detergents, cleaners, oils, sanitizers, paints, cutting fluids and wire pulling compounds — just about any liquid usually found in industrial, plant or marine environments. It also surpasses industry standards for cold impact and simulated hammer blows.

Ease of installation.

Installations can be performed quickly and easily because BULLET® liquidtight fittings can be installed without disassembly. BULLET® nonmetallic fittings are resistant to numerous caustics and solvents.



CAT. NO.	FIG.	TRADE SIZE (IN.)	A ±.015 (.040) (IN.) (MM)	*B ±.035 (0.90) (IN.) (MM)	C ±.015 (0.40) ACROSS CORNERS (IN.) (MM)	MIN. THROAT DIA. D (IN.) (MM)	E THREAD NPT (IN.)	F* (IN.) (MM) APPROX.
LT38P	1		.570	1.595 (40.51)	1.354	.417		—
LT438P	2	¾	(14.48)	2.012 (51.10)	(34.39)	(10.59)	¾-14	1.534 (38.95)
LT938P	3			1.380 (35.05)				1.880 (47.75)
LT50P	1		.570	1.636 (41.55)	1.448	.550		—
LT450P	2	½	(14.48)	2.092 (53.14)	(36.78)	(13.97)	½-14	1.590 (40.39)
LT950P	3			1.489 (37.82)				1.986 (50.44)
LT75P	1		.582	1.757 (44.63)	1.740	.740		—
LT475P	2	¾	(14.78)	2.452 (62.28)	(44.20)	(18.80)	¾-14	1.821 (46.25)
LT975P	3			1.790 (45.47)				2.212 (56.)
LT100P	1		.726	1.923 (48.84)	2.068	.940		—
LT4100P	2	1	(18.44)	2.684 (68.17)	(52.53)	(23.88)	1-11½	2.034 (51.66)
LT9100P	3			2.104 (53.44)				2.508 (63.70)
LT125P	1		.750	2.164 (54.97)	2.494	1.257		—
LT4125P	2	1¼	(19.05)	3.264 (82.91)	(63.35)	(31.93)	1¼-11½	2.385 (60.58)
LT9125P	3			2.564 (65.13)				2.856 (72.54)
LT150P	1		.767	2.353 (59.77)	2.784	1.453		—
LT4150P	2	1½	(19.48)	3.605 (91.57)	(70.71)	(36.91)	1½-11½	2.604 (66.14)
LT9150P	3			2.854 (72.49)				3.144 (79.86)
LT200P	1		.794	2.605 (66.17)	3.362	1.883		—
LT4200P	2	2	(20.17)	4.210 (106.93)	(85.39)	(47.83)	2-8	3.050 (77.47)
LT9200P	3			3.432 (87.17)				3.675 (93.34)

* After Assembly
UL File No. E-23018
CSA File No. 52391

XTRA FLEX® System — Conduit, Tubing, Fittings for Non-Metallic Liquidtight Conduit

T&B Fittings

Table 1 — Behavior of EMS20-1B.1 IN: Aqueous Solutions of Inorganic Salts at Room Temperature

SALT SOLUTIONS	VISUAL CHANGE	RATINGS*
10% Ammonium Chloride	Unchanged	F
10% Aluminum Chloride	Unchanged	F
10% Sodium Hypochlorite (0.1% Cl ²)	White coating after 18 days	G
10% Calcium Chloride	Unchanged	F
10% Chrome Alum	Unchanged	G
10% Ferric Chloride	Unchanged yellowing	P
5% Potassium Dichromate	Unchanged yellowing	P
10% Potassium Nitrate	Unchanged	G
1% Potassium Permanganate	Decomposed	NR
10% Copper Sulfate	Unchanged	G

SALT SOLUTIONS	VISUAL CHANGE	RATINGS*
10% Magnesium Chloride	Unchanged	G
10% Magnanese Sulfate	Unchanged	G
10% Sodium Sulfate	Unchanged	G
10% Sodium Bisulfite	Unchanged	G
5% Mercuric Chloride	Swelled	P
10% Zinc Chloride	Unchanged	F

* These abbreviations are used for the ratings:

E – Excellent P – Poor
G – Good NR – Not Recommended
F – Fair S – Solvent

Table 2 — Behavior of EMS20-1B.1 IN: Acids, Bases, Halogens, etc.

REAGENT	TEMP °F	VISUAL CHANGE	RATINGS*
Sulfuric Acid (Conc)	75	Dissolves	S, NR
Sulfuric Acid (Dilute)	75	Partially dissolves	P, NR
Hydrochloric Acid (Conc)	75	Dissolves	S, NR
Hydrochloric Acid (Dilute)	75	Partially dissolves	P, NR
Hydrochloric Acid (20-40%)	73	Etched after 1 sec.	P
Phosphoric Acid (Conc)	75	Dissolves	S, NR
Nitric Acid (Conc)	75	Dissolves	S, NR
Acetic Acid (Conc)	75	Partially Dissolves	P, NR
Acetic Acid (Conc)	200	Dissolves	S, NR
Acetic Acid (Dilute)	75	Etched	F, NR
Formic Acid (Conc)	75	Dissolves	S, NR
Formic Acid (Dilute)	75	Partially Dissolves	P, NR
Chlorine	–	Strong Attack	NR
Bromine	–	Strong Attack	NR
Phenol	75	Dissolves	S, NR
O-Chlorophenol	75	Dissolves	S, NR
m-Chlorophenol	75	Dissolves	S, NR
p-Chlorophenol	75	Dissolves	S, NR
Cresol	75	Dissolves	S, NR
Dimethylformamide	75	Strong Attack	NR
gamma-Butyrolactone	75	Strong Attack	NR
Xylenols	75	Dissolves	S, NR
Sodium Hydroxide (1%)	73	Unchanged	E
Sodium Hydroxide (5%)	73	Minimal effect	E
Sodium Hydroxide (5%)	158	Minimal effect	E
Sodium Hydroxide (10%)	73	Minimal effect	E
Sodium Hydroxide (10%)	158	Some "crazing" after 30 days	P
Potassium Hydroxide (5%)	73	Minimal effect	E
Potassium Hydroxide (5%)	158	Minimal effect	E
Potassium Hydroxide (10%)	73	Minimal effect	E
Potassium Hydroxide (10%)	158	Some "crazing" after 30 days	P
Hydrogen Peroxide (0.5%)	73	Unchanged	G
Hydrogen Peroxide (1%)	73	Brittle after 54 days	NR
Hydrogen Peroxide (3%)	73	Brittle after 54 days	NR
Hydrogen Peroxide (10%)	73	Degrades	NR
Hydrogen Peroxide (30%)	73	Degrades	NR

* These abbreviations are used for the ratings:

E – Excellent P – Poor
G – Good NR – Not Recommended
F – Fair S – Solvent

Table 3 — Behavior of EMS20-1B.1 IN: Organic Solvents at Room Temperature

REAGENT	VISUAL CHANGE	RATINGS*
Benzyl Alcohol	Coarse surface after 2 days	NR
Butyl Alcohol	Temporary loss of stiffness	G
Ethyl Alcohol	Temporary loss of stiffness	G
Isopropyl Alcohol	Temporary loss of stiffness	G
Methyl Alcohol	Temporary loss of stiffness	G
Butyl Acetate	Temporary loss of stiffness	G
Ethyl Acetate	Unchanged	E
Methyl Acetate	Unchanged	E
Amyl Acetate	Unchanged	E
Ether (Diethyl)	Unchanged	E
Tetrahydrofuran	Unchanged	E
Acetone	Unchanged	E
Benzaldehyde	Unchanged	E
Cyclohexanone	Unchanged	E
Dichlorethylene	Unchanged	E
Trichlorethylene	Temporary loss of stiffness	G
Perchlorethylene	Temporary loss of stiffness	G
Dichlormethane	Unchanged	E
Chloroform	Temporary loss of stiffness	G
Carbon Tetrachloride	Temporary loss of stiffness	G
Carbon Disulfide	Unchanged	E
Pyridine	Unchanged	E
Benzene	Unchanged	E
Monochlorobenzene	Unchanged	E
Toluene	Unchanged	E
Xylene	Unchanged	E
Kerosene	Unchanged	E
Turpentine	Unchanged	E
Tetralin	Unchanged	E
Decalin	Unchanged	E
Gasoline	Unchanged	E
Petroleum	Unchanged	E
Mineral Oil	Unchanged	E
Resorcinol	Dissolves	NR

* These abbreviations are used for the ratings:

E – Excellent P – Poor
G – Good NR – Not Recommended
F – Fair S – Solvent

XTRA FLEX® System —

Conduit, Tubing, Fittings for Non-Metallic Liquidtight Conduit

Metallic Bullet® Liquidtight Connectors for T&B LTC Non-Metallic Liquidtight Conduit Type B and T&B EFC Flexible Tubing

T&B Fittings

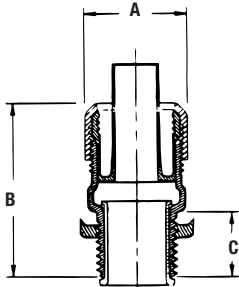


Figure 1

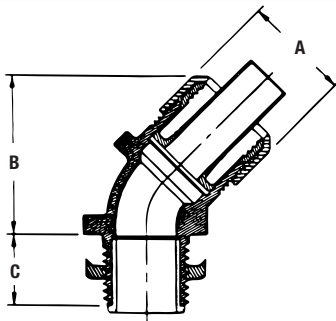


Figure 2

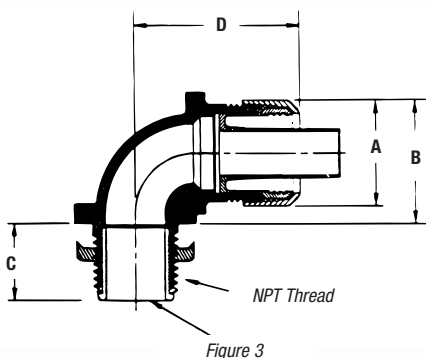


Figure 3

CAT. NO.	FIG.	TRADE SIZE (IN.)	A ±.030 (.80) (IN.) (MM)	*B ±.060 (1.50) (IN.) (MM)	C ±.045 (1.15) (IN.) (MM)	D (IN.) (MM)	THREAD NPT (IN.)
LT38M	1	—	1.156	1.500 (38.1)	0.562 (14.3)	—	—
LT438M	2	¾	(29.4)	1.962 (49.8)	0.562 (14.3)	—	¾-14
LT938M	3	—	—	1.312 (33.3)	0.625 (15.9)	1.375 (34.9)	—
LT50M	1	—	1.375	1.562 (39.7)	0.562 (14.3)	—	—
LT450M	2	½	(34.9)	1.875 (47.6)	0.562 (14.3)	—	½-14
LT950M	3	—	—	1.437 (36.5)	0.625 (15.9)	1.562 (39.7)	—
LT75M	1	—	1.656	1.625 (41.2)	0.625 (15.9)	—	—
LT475M	2	¾	(42.1)	2.125 (54.0)	0.562 (14.3)	—	¾-14
LT975M	3	—	—	1.750 (44.4)	0.625 (15.9)	1.750 (44.4)	—
LT100M	1	—	1.875	2.062 (52.4)	0.750 (19.0)	—	—
LT4100M	2	1	(47.6)	2.250 (57.1)	0.812 (20.6)	—	1-11½
LT9100M	3	—	—	1.937 (49.2)	0.812 (20.6)	2.187 (55.5)	—
LT125M	1	—	2.375	2.500 (63.5)	0.812 (20.6)	—	—
LT4125M	2	1¼	(60.3)	2.750 (69.8)	0.812 (20.6)	—	1¼-11½
LT9125M	3	—	—	2.500 (63.5)	0.812 (20.6)	2.750 (69.8)	—
LT150M	1	—	2.750	2.687 (68.2)	0.812 (20.6)	—	—
LT4150M	2	1½	(69.8)	2.750 (69.8)	0.812 (20.6)	—	1½-11½
LT9150M	3	—	—	2.812 (71.4)	0.812 (20.6)	2.937 (74.6)	—
LT200M	1	—	3.468	3.062 (77.8)	0.812 (20.6)	—	—
LT4200M	2	2	(88.1)	3.875 (98.4)	0.875 (22.2)	—	2-11½
LT9200M	3	—	—	3.500 (88.9)	0.875 (22.2)	3.437 (87.3)	—

* After Assembly

UL File No. E-23018

CSA File No. 52391



Suggested Specification:

Where liquidtight flexible non-metallic conduit (UL Type B) or liquidtight flexible non-metallic tubing is terminated to a box or enclosure, the metallic connectors used shall be able to be installed without disassembly and provide a positive installation criteria. In the installed condition, the connector must provide a seal, meeting watertight requirements of NEMA Type 4 and Type 6 enclosures with conduit and NEMA Type 4 enclosures with tubing. Installed connectors shall be as manufactured by Thomas & Betts LT38M series.

Material: Body/Gland — Steel/MI
Insert — Nylon

XTRA FLEX® System —

Conduit, Tubing, Fittings for Non-Metallic Liquidtight Conduit Material — PVC

When you have a conduit application in a liquidtight environment, it's time to load up the T&B Bullet®.

Thomas & Betts introduces the ISO Metric Bullet® liquidtight fittings for use with the 3/8", 1/2" and 3/4" XTRA FLEX® EFC and LTC non-metallic liquidtight conduit series.

The T&B Bullet® liquidtight fitting and EFC non-metallic conduit are suited for OEM applications as in the machine tool industry where environments include continuous motion, vibration and exposure to moisture, oil, dirt and dust.

The T&B Bullet® liquidtight fitting and LTC non-metallic conduit are also suitable for construction applications where ISO metric threading and liquidtight systems are installed.

The XTRA FLEX® system offers a lightweight, liquidtight flexible conduit solution for industrial applications. The XTRA FLEX® system enables fast, easy installation and high performance in demanding industrial applications.

T&B Fittings



ISO Metric Bullet® Liquidtight Fitting Non-Metallic

CAT. NO.	ANGLE OF FITTING	CONDUIT SIZE	KNOCKOUT SIZE	UNIT PACKAGE	STANDARD PACKAGE	UPC NUMBER
LT38P-IS020	Straight	3/8"	1/2"	25	100	786210-66444
LT50P-IS020	Straight	1/2"	1/2"	25	100	786210-66613
LT75P-IS025	Straight	3/4"	3/4"	25	50	786210-66443
LT938P-IS020	90°	3/8"	1/2"	25	50	786210-66612
LT950P-IS020	90°	1/2"	1/2"	25	50	786210-66640
LT975M-IS025	90°	3/4"	3/4"	10	50	786210-66611

*Testing: UL and CSA listed; NEMA 4, 6, 6P; IP 67 when used with LTC conduit or EFC tubing with installed T&B Bullet liquidtight fitting.

XTRA FLEX® System —**Conduit, Tubing, Fittings for Non-Metallic Liquidtight Conduit Material — PVC**

Maximum flexibility for tight applications!

Corrugated Flexible Non-Metallic Tubing



- OEM grade — UL Recognized
- PVC material
- Black color standard
- Extremely fast installation
- Liquidtight with specified fittings
- Good tensile strength provides excellent pullout protection
- Smooth inner diameter allows easy wire pulling
- Broad operating temperature range: 18° C to +60° C (-2° F to +140° F).
- Flammability Rating VW-1 (Vertical Wire) UL224

Recommended industrial applications

- Protection of fiber optic cable
- Installation of instrumentation and control cable
- Indoor/outdoor lighting
- Packaging equipment
- Marine and shipboard wiring
- Flexing component wiring protection on robots, graphic arts equipment, etc.



CAT. NO.	CONDUIT SIZE	I.D. (IN.)		O.D. (IN.)	
		MIN.	MAX.	MIN.	MAX.
EFC025*	¼"	.390	.405	.560	.575
EFC038	⅜"	.484	.504	.690	.710
EFC050	½"	.622	.642	.820	.840
EFC075	¾"	.820	.840	1.030	1.050
EFC100	1"	1.041	1.066	1.290	1.315
EFC125	1¼"	1.380	1.410	1.630	1.660
EFC150	1½"	1.575	1.600	1.865	1.900
EFC200	2"	2.020	2.045	2.340	2.375

* Not CSA Certified.
Underwriters Recognized
UL File No. 96548

CSA File No. 067241
See technical data next page.
Use with Bullet® Liquidtight Fittings.

CAT. NO.	AVAILABLE COLORS
LTC -	COLOR OF CONDUIT
W/O SUFFIX	Black
-1	Orange
-2	Blue

United States
Tel: 901.252.8000
800.816.7809
Fax: 901.252.1354

Canada
Tel: 450.347.5318
Fax: 450.347.1976

Technical Services
Tel: 888.862.3289

Thomas & Betts

www.tnb.com

A-127

XTRA FLEX® System —

Conduit, Tubing, Fittings for Non-Metallic Liquidtight Conduit Material — PVC

T&B Fittings



Now available in reels.

XTRA FLEX® Conduit

The XTRA FLEX® system offers a lightweight, liquidtight flexible conduit solution for demanding applications. The XTRA FLEX® system ensures fast, easy installations and long-lasting, high performance in a variety of environments.

Now, XTRA FLEX® Conduit is available on reels. Large users can save space and reduce waste, while taking advantage of the convenience of stocking bulk in lengths. Utilizing our new coupling design to connect 100-ft. lengths, Thomas & Betts now offers reel lengths up to 1,000 feet.

- Fast installation — even in tight, cramped spaces
- Smooth inner diameter enables easy wire pulling
- Smooth outer jacket — approved for outdoor use, sunlight resistant and oil resistant
- Tested to CSA and UL requirements
- Lightweight and liquidtight
- Marked at 1-foot intervals for fast, easy measuring

..... Specifications

- Material: PVC
- Colors Available: Black, Gray
- Temp. Range: -18° C to +105° C (-2° F to +221° F) Black
-18° C to +80° C (-2° F to +176° F) Gray
- Flammability Rating: UL 1660
- Listings: UL Listed, CSA Certified

Please contact your Thomas & Betts sales representative regarding custom colors and combinations.

XTRA FLEX® Liquidtight Conduit/Reel Lengths



CAT. NO.	SIZE	DESCRIPTION	MIN. I.D.	MAX. I.D.	MIN. O.D.	MAX. O.D.	REEL LENGTH	MIN. ORDER
LTC038GY-500	3/8"	Gray Type B LT Conduit	.484"	.504"	.690"	.710"	500 ft.	1,500
LTC050GY-500	1/2"	Gray Type B LT Conduit	.622"	.642"	.820"	.840"	500 ft.	1,500
LTC050-500	1/2"	Black Type B LT Conduit	.622"	.642"	.820"	.840"	500 ft.	Stock
LTC050GY-1000	1/2"	Gray Type B LT Conduit	.622"	.642"	.820"	.840"	1,000 ft.	2,000
LTC100GY-500	1"	Gray Type B LT Conduit	1.041"	1.066"	1.290"	1.315"	500 ft.	1,500
LTC100-500	1"	Black Type B LT Conduit	1.041"	1.066"	1.290"	1.315"	500 ft.	1,500

UL Listed, UL File No. 95745

CSA Certified, CSA File No. LL 80349

XTRA FLEX® System —

Conduit, Tubing, Fittings for Non-Metallic Liquidtight Conduit Material — PVC



Smooth, sunlight- and oil-resistant outer jacket, approved for outdoor use!

Smooth Liquidtight Non-Metallic Conduit Type B



- Industrial grade — UL Listed/CSA Certified
- PVC material
- Liquidtight non-metallic conduit Type B
- Black color standard
- Fast installation — even in tight, cramped spaces
- Smooth inner diameter enables easy wire pulling
- Tested to CSA and UL requirements
- Lightweight and liquidtight
- Temperature range of -18° C to +105° C (-2° F to +221° F)
- UL1660 flammability rating
- Marked at 1-ft. intervals for fast, easy measuring and cutting

Recommended industrial applications

- Machine tools
- Motor hookups
- Food processing equipment
- Extensions from wireways
- Sensor and microswitch wiring in control consoles



XTRA FLEX® Conduit and Tubing Technical Data*

LTFNMC = Liquidtight flexible non-metallic conduit

LTFNMT = Liquidtight flexible non-metallic tubing

XTRA FLEX® CONDUIT & TUBING	STYLE	COLOR	SIZE RANGE	UL TEMP RATING	CSA TEMP RATING	VOLTAGE RATING	UL OIL RESISTANT	UL OUTDOOR	UL DIRECT BURIAL
LTC038 Series	UL Type B LTFNMC	Black	¾"-2"	105° C Dry 60° C Wet 70° C Oil	75° C-18° C	600V	Yes	Yes	Yes
LTC038-1, -2 Series	UL Type B LTFNMC	Orange, Blue	½"-1"	105° C Dry 60° C Wet 70° C Oil	—	600V	Yes	No	Yes
LTC038GY Series	UL Type B LTFNMC	Gray	¾"-2"	80° C Dry 60° C Wet 70° C Oil	—	600V	Yes	Yes	Yes
EFC025 Series**	LTFNMT	Black	¼"-2"	105° C	75°C-18 C	300V	Yes	Yes	No
EFC025-1, -2** Series	LTFNMT	Orange, Blue	½"-1"	105° C	—	300V	Yes	No	No

* For a complete test report, contact Customer Service.

** UL Component Recognized

Industrial Grade



CAT. NO.	CONDUIT SIZE	I.D. (IN.)		O.D. (IN.)	
		MIN.	MAX.	MIN.	MAX.
LTC038	¾"	.484	.504	.690	.710
LTC050	½"	.622	.642	.820	.840
LTC075	¾"	.820	.840	1.030	1.050
LTC100	1"	1.041	1.066	1.290	1.315
LTC125	1½"	1.380	1.410	1.630	1.660
LTC150	1½"	1.575	1.600	1.865	1.900
LTC200	2"	2.020	2.045	2.340	2.375

Commercial Grade



CAT. NO.	CONDUIT SIZE	I.D. (IN.)		O.D. (IN.)	
		MIN.	MAX.	MIN.	MAX.
LTC038GY	¾"	.484	.504	.690	.710
LTC050GY	½"	.622	.642	.820	.840
LTC075GY	¾"	.820	.840	1.030	1.050
LTC100GY	1"	1.041	1.066	1.290	1.315
LTC125GY	1½"	1.380	1.410	1.630	1.660
LTC150GY	1½"	1.575	1.600	1.865	1.900
LTC200GY	2"	2.020	2.045	2.340	2.375

Rated at 600V

XTRA FLEX® Type B suitable for use in hazardous location (for LTC Series only) where general purpose equipment is specifically permitted by the NEC; Class I Div. 2; Class II, Div. 1 & 2; Class III, Div. 1 & 2, NEC 501-4(b); 502-4(a)(b); 503-3(a)(b).

UL Listed, UL File No. E95745

CSA Certified, CSA File No. LL80349

See technical data below.

Use with Bulle® Liquidtight Fittings.

AVAILABLE COLORS		
LTC - CAT. NO.	COLOR OF CONDUIT	COLOR OF MARKING
W/O SUFFIX	Black	Orange
-1	Orange	Black
-2	Blue	Black

XTRA FLEX® System —
Conduit, Tubing, Fittings for Non-Metallic Liquidtight Conduit Material — PVC

XTRA FLEX® Non-Metallic Conduit Type B and Flexible Tubing

T&B Fittings

A = SATISFACTORY CHEMICAL	B = BE EXPECTED TO CHANGE CHEMICAL	C = NOT RECOMMENDED CHEMICAL
Acetate Solvents C	Cottonseed Oil B	Lubricating Oils A
Acetic Acid (10%) A	Creosote C	Magnesium Chloride A
Acetic Acid (Glacial) B	Cresol A	Magnesium Hydroxide A
Acetone C	Cresylic Acid C	Magnesium Sulphate A
Acrylonitrile A	Cyclohexane A	Malic Acid A
Adipic Acid A	Cyclohexanone C	Methyl Acetate C
Alcohol Butyl A	DDT Weed Killer A	Methyl Bromide C
Alcohol Ethyl A	Detergent Synthetic A	Methyl Ethyl Ketone C
Alcohol Isopropyl A	Developers Photographic A	Methylene Chloride C
Alcohol Methyl A	Dextrin A	Mineral Oils A
Aluminum Acetate A	Dextrose A	Monochlorobenzene C
Aluminum Chloride A	Dibutyle Phthalate C	Naphtha B
Aluminum Hydroxide A	Dichlorobenzene C	Naphthalene C
Aluminum Sulfate A	Diesel Oil B	Nitric Acid (10%) A
Aliyl Chloride C	Diethylene Glycol A	Nitric Acid (40%) A
Ammonia (0.88S.G.Aqueous) A	Diethyl Ether C	Nitric Acid (70%) C
Ammonia (Dry Gas) A	Di-isodecyl Phthalate C	Nitrobenzene C
Ammonia (Liquid) C	Dioctyle Phthalate C	Nitrogen Fertilizers A
Ammonium Chloride A	Emulsifiers A	Oleic Acid A
Ammonium Hydroxide A	Emulsions Photographic A	Oxalic Acid A
Animal Oils A	Ethyl Acetate C	Palmitic Acid A
Amyl Acetate C	Ethylene Dichloride C	Paraffin A
Aniline Oils B	Ethylene Glycol A	Pentane B
Aromatic Hydrocarbons C	Fatty Acid A	Perchloroethylene C
Asphalt C	Ferric Chloride A	Phenol B
ASTM Fuel A B	Ferric Sulphate A	Phosphoric Acid A
ASTM Fuel B C	Ferrous Chloride A	Pitch A
ASTM #1 Oil A	Ferrous Sulphate A	Potassium Hydroxide A
ASTM #3 Oil B	Fixing Solution, Photographic A	Propane A
Barium Chloride A	Fluorine C	Sea Water A
Barium Hydroxide A	Formaldehyde (40%) C	Sodium Hydroxide (10%) A
Barium Sulfide A	Formic Acid (40%) A	Sodium Hydroxide (50%) A
Benzene C	Formic Acid (50%) B	Sodium Cyanide A
Benzine B	Formic Acid (100%) C	Soybean Oil A
Bordeaux Mixture A	Fuel Oil B	Stearic Acid A
Borax A	Glacial Acetic Acid B	Styrene C
Boric Acid A	Glucose A	Sulphur Dioxide (Dry) A
Brine A	Glycerine A	Sulphur Dioxide (Moist) B
Bromine Traces C	Grape Sugar A	Sulphur Dioxide (Liquid) C
Butyl Acetate C	Grease A	Sulphuric Acid (45%) A
Calcium Hydroxide A	Heptane B	Sulphuric Acid (60%) B
Calcium Hypochlorite A	Hexane B	Sulphuric Acid (98%) C
Carbonic Acid B	Hydrobromic Acid A	Sulphurous Acid (30%) A
Carbon Dioxide A	Hydrochloric Acid (10%) A	Tannic Acid A
Carbon Disulphite C	Hydrochloric Acid (40%) A	Tartaric Acid A
Carbon Monoxide A	Hydrofluoric Acid (10%) A	Tetrahydrofuran C
Carbon Tetrachloride C	Hydrofluoric Acid (40%) B	Toluene C
Casein A	Hydrofluoboric Acid A	Trichlorethylene C
Chlorine (Dry) A	Hydrofluosilicic Acid A	Triethanolamine A
Chlorine (Wet Gas) B	Hydrogen Peroxide A	Tricresyl Phosphate C
Chlorine (Water) C	Hydrogen Sulphide A	Turpentine B
Chlorobenzene C	Iso-octan A	Urea A
Chlorinated Hydrocarbons C	Isopropyl Acetate C	Vinegar A
Chloroform C	Kerosene B	Vinyl Acetate C
Chromic Acid A	Ketones C	Vinyl Chloride C
Citric Acid A	Lactic Acid (10%) A	Water A
Coal Tar C	Lactic Acid (100%) C	Xylene C
Copper Chloride A	Lacquer Solvents B	Zinc Chloride A
Copper Nitrate A	Linseed Oil A	Zinc Sulphate A
Copper Sulphate A		

NOTE: These chemical resistance ratings are based upon information supplied by the raw material manufacturers. It is intended as a general guideline only. To determine specific suitability, samples should be tested by user under actual conditions. Operating Condition: 70° F.