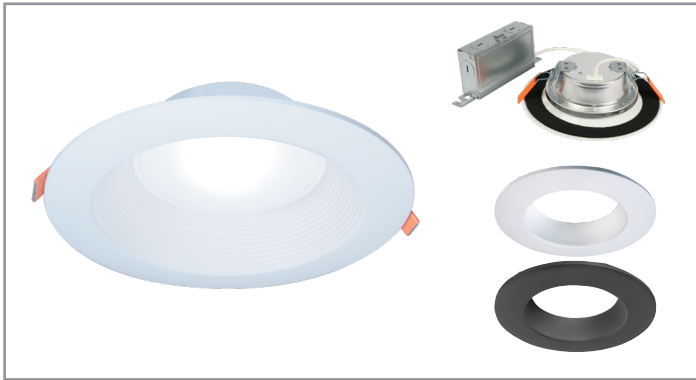


Project		Catalog #		Type	
Prepared by		Notes		Date	



HALO

LTC 6" Recessed Canless LED Downlights

The LTC Baffle Canless LED Downlights provide a modern, recessed downlight for bright, general area lighting. The 5-color selectability and flicker-free 10% dimming allow for easy lighting customization.

Typical Applications Residential

Interactive Menu

- Order Information page 2
- Product Specifications page 2
- Energy Data page 3
- Photometric Data page 4
- Product Warranty

Product Certification



Refer to ENERGY STAR® Certified Products List.
Can be used to comply with California Title 24 High Efficacy requirements.
Certified to California Appliance Efficiency Database under JAB.

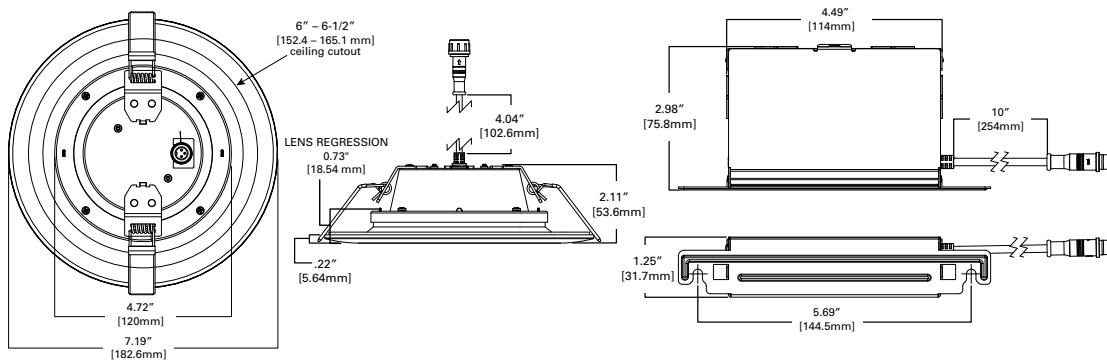
Product Features



Top Product Features

- Round 6" Canless LED Downlight suitable for remodel and new construction installations (For new construction, use with canless mounting frames/plates)
- Installs in [2x4] framing and rated for IC (insulation contact) or non-IC applications (no housing required)
- **Lens & Trim:** Recessed baffle trim, flat diffuse lens
- **5-Color Field-SeleCCTable:** 2700K, 3000K, 3500K, 4000K, 5000K; 90+ CRI
- **Brightness:** 750 lumens (nominal)
- **Dimming:** Dims to 10% (phase cut LE/TE); 120V input
- Smooth Decorative Overlays in 2 finishes (sold separately)
- Meets AIR-TITE and code compliance for additional energy savings
- **Life:** 35,000 hrs of maintenance-free operation in damp or wet locations
- 5-year warranty

Dimensional and Mounting Details



Order Information

Individual

Catalog Number	Module	Lumens (Nominal)	CRI/CCT	Driver	Finish	Packaging
LTC608FS5B	6-inch LT Series Baffle Canless LED Downlight	750 lumen	90+ CRI, field selectable CCT: 2700K, 3000K, 3500K, 4000K, 5000K	120V 60Hz, LE & TE phase cut 10% dimming	Matte White	Plastic-free & Fully Recyclable

Bulk Pack

Catalog Number	Module + Mounting frame	Lumens (Nominal)	CRI/CCT	Driver	Finish	Packaging
LTC608B-MF6RC-6PK	New Construction Kit: (6) 6-inch LT Series Baffle Canless LED Downlights + (6) New Construction Mounting Frames	750 lumen	90+ CRI, field selectable CCT: 2700K, 3000K, 3500K, 4000K, 5000K	120V 60Hz, LE & TE phase cut 10% dimming	Matte White	6 pack, Recyclable

Optional Accessories - Decorative Smooth Splay Overlays (order separately)

Catalog Number	Description
LT60MW	6-inch matte white decorative smooth splay overlay
LT60MB	6-inch matte black decorative smooth splay overlay



LT60MW
Paintable Matte White,
Smooth Splay



LT60MB
Matte Black,
Smooth Splay

Optional Accessories - Fixture-to-Junction Box Extension Cable (order separately)

Use HALO Canless Extension Cables in applications where junction boxes need to be installed further away from the fixture – either for convenience or to save on line-voltage wire. (Co-locating junction boxes makes adjustments and maintenance fast and easy.)

Catalog Number	Description
HLB06FSEC	6-ft.extension cable
HLB12FSEC	12-ft.extension cable
HLB20FSEC	20-ft.extension cable

Optional Accessories - Mounting Frame (order separately)

Catalog Number	Description
HL6RSMF	6" round and square mounting frame

Specification Features

Selectable System

- Use the 5-position color selector switch to choose between: 2700K, 3000K, 3500K, 4000K, and 5000K

Module – Trim

- LED module consists of LED array, optical assembly, driver and self-flanged trim
- Baffle trim (Use a decorative overlay to convert from baffle to smooth splay - order separately)
- Injection molded plastic construction is impact resistant and non-corrosive
- Non-conductive construction meets most local code 'dead front' requirements

LED Array

- A plurality of low power LEDs provide a uniform source with high efficiency and long life
- Available in 90 CRI minimum, R9 greater than 50 and color accuracy within 4 SDCM provide color accuracy and uniformity
- Factory default color temperature (CCT) is set to bright white (3000K)
- 5-color selectable CCT: 2700K, 3000K, 3500K, 4000K and 5000K

Optical Assembly

- Optical assembly provides wide distribution useful for general and task lighting
- Diffuse injection molded lens with contoured profile provides uniformity and a familiar lamp like appearance

Driver

- Integral 120V 60 Hz constant current driver provides noise free operation
- Dimmable: Continuous, flicker-free phase cut (leading-edge/trailing-edge - LE/TE) dimming from 100% to 10% output with compatible dimmers
- See this fixture's Dimming Guide for compatible dimmers

Retention

- No additional housing or junction box required (Not for installation in recessed cans)
- The included remote driver / junction box may be used in direct contact with insulation
- Installer must cut hole and install fixture into aperture with the clips compressed
- When released, the spring clips will rest on the back side of the ceiling material holding the fixture in place
- For new construction applications, use HALO Canless Mounting Frames or Smash Plates prior to drywall installation

Gasket

- Closed cell gaskets achieve restrictive airflow requirements without additional caulking

Compliance

- UL Certified US and Canada Type IC suitable for direct contact with air permeable insulation
- Damp location listed. Not recommended for use in direct contact with spray foam insulation, reference NEMA LSD57-2013
- Airtight certified per ASTM-E283
- EMI/RFI emissions per FCC 47CFR Part 15 consumer limits
- Contains no mercury or lead and RoHS compliant
- Photometric testing in accordance with IES LM-79-08
- Lumen maintenance projections in accordance with IES LM-80-08 and TM-21-11
- Can be used for State of California Title 24 high efficacy luminaire compliance. Complies with Title 24 JA8-2022-E.
- Can be used International Energy Conservation Code (IECC) high efficiency luminaire compliance.
- ENERGY STAR® listed, reference database for current listings

Warranty

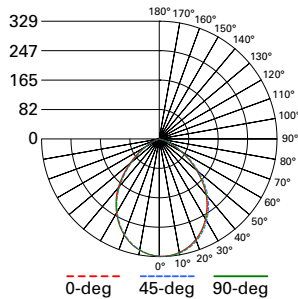
- Five year limited warranty, consult website for details. www.cooperlighting.com/legal

Energy Data

LTC6 - 750 Lumen

Lumens	750
Input Voltage	120V
Input current	0.081A
Input Power	9.3 (W)
Efficiency	79.81 (LPW)
Inrush(A)	1.46A@68usec
THD	15.30%
PF	0.967
T Ambient	-30° - +40°C
Sound Rating	19.3dB @1feet

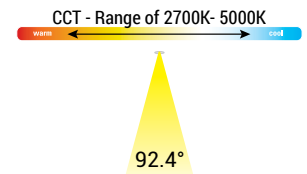
Photometric Data



LTC608FS5B-3000K
 Spacing Criteria (0/90/45):
 1.18/1.18/1.26
 Beam Angle: 92.4°
 Field Angle: 139.4°
 Lumens: 795
 Input Watts: 8.8 W
 Efficacy: 90.3 LPW
 UGR: 21.9
 Test Report: P879314

Zonal Lumen	Lumens	% Lumens
0-30	284.5	35.8
0-40	450.3	56.7
0-60	716.7	90.2
0-90	795	100
90-180	0	0
0-180	795	100

TM-30-15	Rf = 92
	Rg = 100
CRI/CIE	Ra = 93
	R9 = 71.6

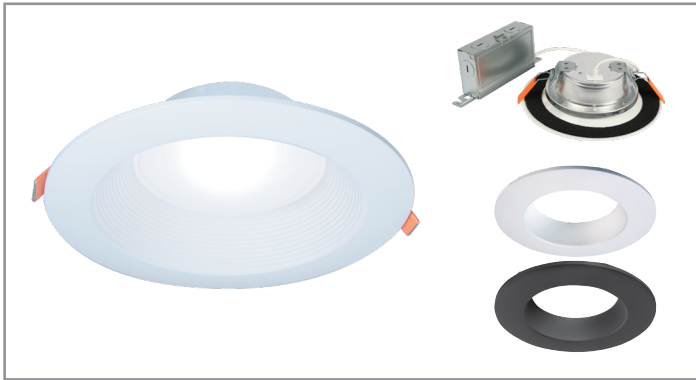


LT4 5CCT				
CCT	Watts	lumens	LPW	CRI
2700K	8.6	750	87.2	92
3000K	8.8	795	90.3	93
3500K	8.8	825	93.8	95
4000K	8.7	835	96.0	95
5000K	8.6	800	93.0	93

LTC608FS5B-3000K

PRODUCT SPECIFICATIONS	
Lumens	795
Watts	8.8
Lumens Per Watt (Efficacy)	90.3
Color Accuracy (CRI)	93
Light Color (CCT) Correlated Color Temperature (CCT)	3000K

Project		Catalog #		Type	
Prepared by		Notes		Date	



HALO

LTC 6" Recessed Canless LED Downlights

The LTC Baffle Canless LED Downlights provide a modern, recessed downlight for bright, general area lighting. The 5-color selectability and flicker-free 10% dimming allow for easy lighting customization.

Typical Applications Residential

Interactive Menu

- Order Information page 2
- Product Specifications page 2
- Energy Data page 3
- Photometric Data page 4
- Product Warranty

Product Certification



Refer to ENERGY STAR® Certified Products List.
Can be used to comply with California Title 24 High Efficacy requirements.
Certified to California Appliance Efficiency Database under JAB.

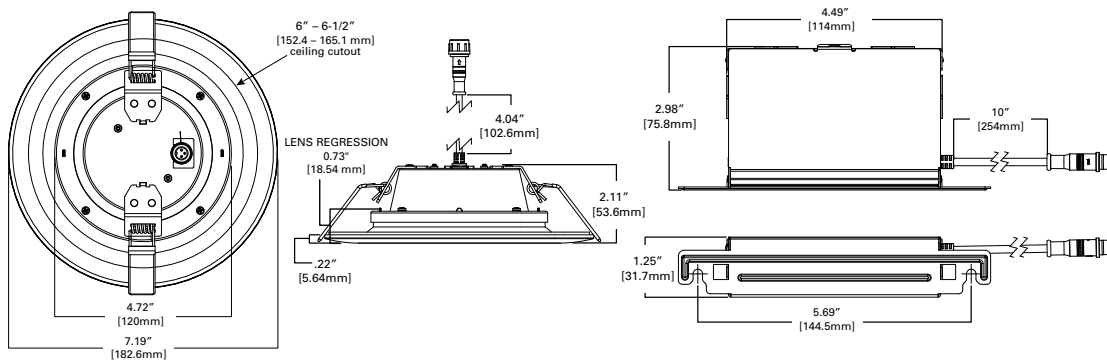
Product Features



Top Product Features

- Round 6" Canless LED Downlight suitable for remodel and new construction installations (For new construction, use with canless mounting frames/plates)
- Installs in [2x4] framing and rated for IC (insulation contact) or non-IC applications (no housing required)
- **Lens & Trim:** Recessed baffle trim, flat diffuse lens
- **5-Color Field-SeleCCTable:** 2700K, 3000K, 3500K, 4000K, 5000K; 90+ CRI
- **Brightness:** 750 lumens (nominal)
- **Dimming:** Dims to 10% (phase cut LE/TE); 120V input
- Smooth Decorative Overlays in 2 finishes (sold separately)
- Meets AIR-TITE and code compliance for additional energy savings
- **Life:** 35,000 hrs of maintenance-free operation in damp or wet locations
- 5-year warranty

Dimensional and Mounting Details



Order Information

Individual

Catalog Number	Module	Lumens (Nominal)	CRI/CCT	Driver	Finish	Packaging
LTC608FS5B	6-inch LT Series Baffle Canless LED Downlight	750 lumen	90+ CRI, field selectable CCT: 2700K, 3000K, 3500K, 4000K, 5000K	120V 60Hz, LE & TE phase cut 10% dimming	Matte White	Plastic-free & Fully Recyclable

Bulk Pack

Catalog Number	Module + Mounting frame	Lumens (Nominal)	CRI/CCT	Driver	Finish	Packaging
LTC608B-MF6RC-6PK	New Construction Kit: (6) 6-inch LT Series Baffle Canless LED Downlights + (6) New Construction Mounting Frames	750 lumen	90+ CRI, field selectable CCT: 2700K, 3000K, 3500K, 4000K, 5000K	120V 60Hz, LE & TE phase cut 10% dimming	Matte White	6 pack, Recyclable

Optional Accessories - Decorative Smooth Splay Overlays (order separately)

Catalog Number	Description
LT60MW	6-inch matte white decorative smooth splay overlay
LT60MB	6-inch matte black decorative smooth splay overlay



LT60MW
Paintable Matte White,
Smooth Splay



LT60MB
Matte Black,
Smooth Splay

Optional Accessories - Fixture-to-Junction Box Extension Cable (order separately)

Use HALO Canless Extension Cables in applications where junction boxes need to be installed further away from the fixture – either for convenience or to save on line-voltage wire. (Co-locating junction boxes makes adjustments and maintenance fast and easy.)

Catalog Number	Description
HLB06FSEC	6-ft. extension cable
HLB12FSEC	12-ft. extension cable
HLB20FSEC	20-ft. extension cable

Optional Accessories - Mounting Frame (order separately)

Catalog Number	Description
HL6RSMF	6" round and square mounting frame

Specification Features

Selectable System

- Use the 5-position color selector switch to choose between: 2700K, 3000K, 3500K, 4000K, and 5000K

Module – Trim

- LED module consists of LED array, optical assembly, driver and self-flanged trim
- Baffle trim (Use a decorative overlay to convert from baffle to smooth splay - order separately)
- Injection molded plastic construction is impact resistant and non-corrosive
- Non-conductive construction meets most local code 'dead front' requirements

LED Array

- A plurality of low power LEDs provide a uniform source with high efficiency and long life
- Available in 90 CRI minimum, R9 greater than 50 and color accuracy within 4 SDCM provide color accuracy and uniformity
- Factory default color temperature (CCT) is set to bright white (3000K)
- 5-color selectable CCT: 2700K, 3000K, 3500K, 4000K and 5000K

Optical Assembly

- Optical assembly provides wide distribution useful for general and task lighting
- Diffuse injection molded lens with contoured profile provides uniformity and a familiar lamp like appearance

Driver

- Integral 120V 60 Hz constant current driver provides noise free operation
- Dimmable: Continuous, flicker-free phase cut (leading-edge/trailing-edge - LE/TE) dimming from 100% to 10% output with compatible dimmers
- See this fixture's Dimming Guide for compatible dimmers

Retention

- No additional housing or junction box required (Not for installation in recessed cans)
- The included remote driver / junction box may be used in direct contact with insulation
- Installer must cut hole and install fixture into aperture with the clips compressed
- When released, the spring clips will rest on the back side of the ceiling material holding the fixture in place
- For new construction applications, use HALO Canless Mounting Frames or Smash Plates prior to drywall installation

Gasket

- Closed cell gaskets achieve restrictive airflow requirements without additional caulking

Compliance

- UL Certified US and Canada Type IC suitable for direct contact with air permeable insulation
- Damp location listed. Not recommended for use in direct contact with spray foam insulation, reference NEMA LSD57-2013
- Airtight certified per ASTM-E283
- EMI/RFI emissions per FCC 47CFR Part 15 consumer limits
- Contains no mercury or lead and RoHS compliant
- Photometric testing in accordance with IES LM-79-08
- Lumen maintenance projections in accordance with IES LM-80-08 and TM-21-11
- Can be used for State of California Title 24 high efficacy luminaire compliance. Complies with Title 24 JA8-2022-E.
- Can be used International Energy Conservation Code (IECC) high efficiency luminaire compliance.
- ENERGY STAR® listed, reference database for current listings

Warranty

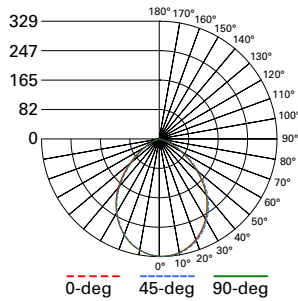
- Five year limited warranty, consult website for details. www.cooperlighting.com/legal

Energy Data

LTC6 - 750 Lumen

Lumens	750
Input Voltage	120V
Input current	0.081A
Input Power	9.3 (W)
Efficiency	79.81 (LPW)
Inrush(A)	1.46A@68usec
THD	15.30%
PF	0.967
T Ambient	-30° - +40°C
Sound Rating	19.3dB @1feet

Photometric Data



LTC608FS5B-3000K

Spacing Criteria (0/90/45):
1.18/1.18/1.26

Beam Angle: 92.4°

Field Angle: 139.4°

Lumens: 795

Input Watts: 8.8 W

Efficacy: 90.3 LPW

UGR: 21.9

Test Report: P879314

Zonal Lumen	Lumens	% Lumens
0-30	284.5	35.8
0-40	450.3	56.7
0-60	716.7	90.2
0-90	795	100
90-180	0	0
0-180	795	100

TM-30-15	Rf = 92
	Rg = 100
CRI/CIE	Ra = 93
	R9 = 71.6

CCT - Range of 2700K- 5000K



92.4°

LT4 5CCT

CCT	Watts	lumens	LPW	CRI
2700K	8.6	750	87.2	92
3000K	8.8	795	90.3	93
3500K	8.8	825	93.8	95
4000K	8.7	835	96.0	95
5000K	8.6	800	93.0	93

LTC608FS5B-3000K

PRODUCT SPECIFICATIONS	
Lumens	795
Watts	8.8
Lumens Per Watt (Efficacy)	90.3
Color Accuracy (CRI)	93
Light Color (CCT) Correlated Color Temperature (CCT)	3000K