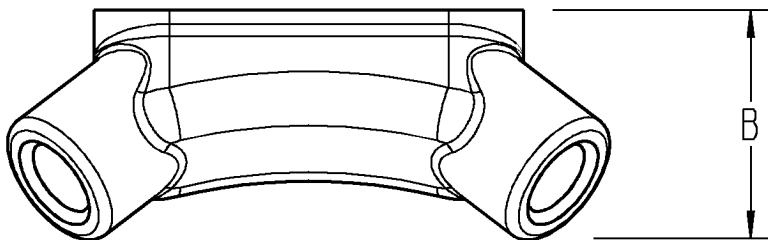
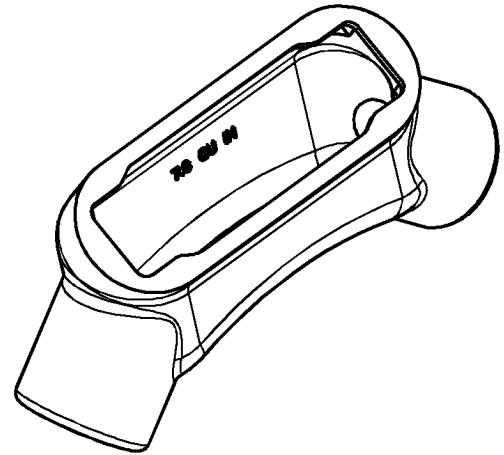
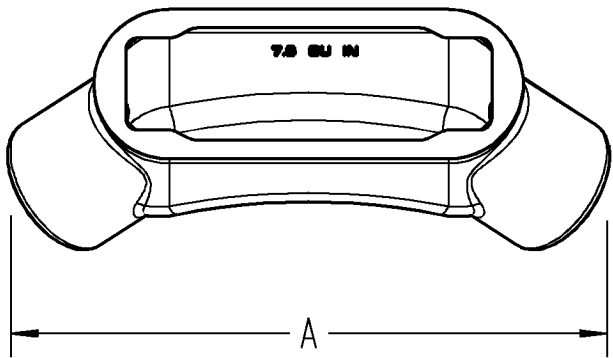




T&B Rigid Fittings



NOTES:

1. MATERIAL : CLASS 30 GRAY IRON
2. FINISH : BLUEKOTE
3. LISTED FOR 40% WIRE FILL
4. LISTED AS ENCLOSURE FOR SPLICES
5. ALL DIMENSION ARE REFERENCE ONLY
6. ALL HUBS NPT THREADS
7. STANDARD FORM 7 COVER INTERFACE

LU67	2" LU CONDUIT BODY	10.72 (272.3)	4.28 (108.7)	56.0
LU57	1-1/2" LU CONDUIT BODY	8.95 (227.3)	3.58 (90.9)	28.3
LU47	1-1/4" LU CONDUIT BODY	8.42 (213.9)	3.36 (85.3)	23.0
LU37	1" LU CONDUIT BODY	7.39 (187.7)	2.83 (71.9)	13.4
LU27	3/4" LU CONDUIT BODY	6.22 (158.0)	2.38 (60.5)	7.6
LU17	1/2" LU CONDUIT BODY	4.60 (116.8)	2.09 (53.1)	4.8
CAT #	DESCRIPTION	DIM A	DIM B	VOLUME (CU IN)

GENERAL NOTES

1. ALL DIMENSIONS ARE FOR REFERENCE ONLY.
2. DIMENSIONS IN BRACKETS [] ARE IN METRIC UNITS.

REVISIONS

- | | |
|---|--|
| - | SEE ERN (****) FOR APPROVAL SIGNATURES & RELEASE DATE.
PROJECT NO: **** |
|---|--|

Thomas & Betts

www.tnb.com

DESCRIPTION:

LU STYLE CONDUIT BODIES

ORIGINAL PROJECT NO / (ERN NO)

RD55801 / (2010449)

SHEET NO:

1 OF 1

REV. NO:

-

DRAWING NO:

WSD-000475

THIS DRAWING IS INTENDED FOR DESCRIPTIVE PURPOSES ONLY. AND THE RIGHT IS RESERVED TO DEVIATE FROM ANY OF THE DETAILS SHOWN HEREON.

©2008 Thomas & Betts - Proprietary, All Rights Reserved