

INSTALLATION INSTRUCTIONS FOR WALL LIGHT (NRG-1100)

**WARNING: DISCONNECT POWER BEFORE INSTALLATION OR MAINTENANCE.
 READ INSTRUCTIONS CAREFULLY BEFORE ATTEMPTING TO INSTALL LUMINAIRE.
 FAILURE TO COMPLY WITH INSTRUCTIONS COULD RESULT IN PERSONAL
 INJURY AND/OR PROPERTY DAMAGE
 RETAIN INSTRUCTIONS FOR FUTURE REFERENCE.**

STEP I – WALL BRACKET INSTALLATION

- Remove gasket (A) from plastic bag and bracket (B) from back of fixture (C).
- Peel off paper liner from gasket (A).
- Align center hole and slot of gasket (A) with bracket (B) and install gasket to bracket.
- Mount bracket (B) to junction box (D).
 Level bracket (A) (Bubble Level Provide) then tighten set-screws (G) to secure to junction box.

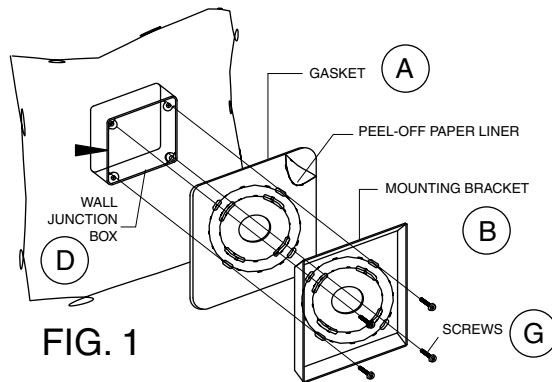


FIG. 1

STEP II – WIRING CONNECTION

- Fixture lead wires (E) are routed to the back of luminaire. Select desired line voltage, then
- Connect wires in accordance with local and National Electrical Codes. Push unused leads back into fixture taking care they are insulated.
- Insert wire connections inside junction box (D).

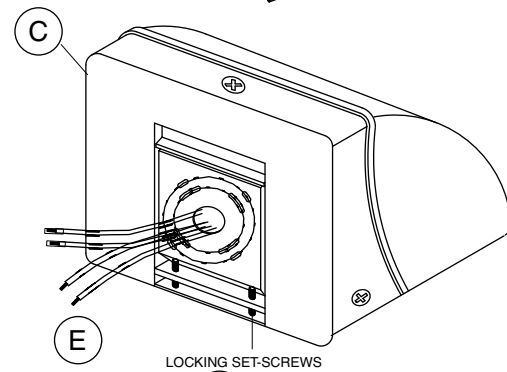


FIG. 2

STEP III – FIXTURE INSTALLATION

- Hang fixture (C) on bracket (B). (See Fig. 2)
- Tighten bottom set-screws (F) to secure fixture.

STEP IV – LAMPING

- Loosen lens screws (H) and open fixture.
- Remove lamp from sleeving and install in socket (K).

STEP V – CONDUIT THROUGH WIRING

- Use minimum 90 degrees C wire insulation.
- Remove hole plugs (L) then install conduit/conduit fitting (by others). Seal threads with silicone tape or RTV.
- Remove wiring cover screw (M) to remove cover (N).
- Connect wires using approved wirenuts.
- Replace cover making sure all connections are inside the cover and wires not pinched.

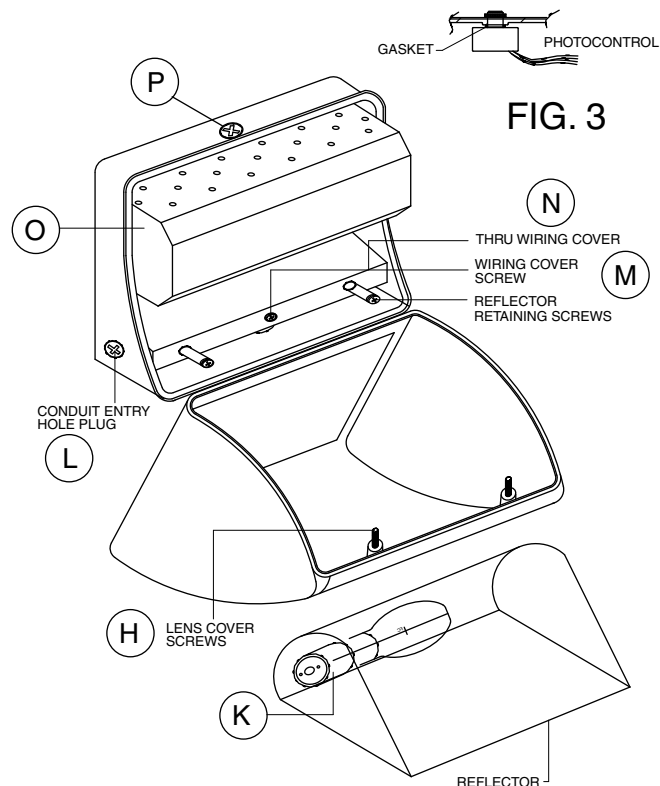


FIG. 3

STEP VI – PHOTOCONTROL INSTALLATION

- Remove ballast cover (O) and hole plug (P).
- Install photocontrol (R) as shown in Fig 3.
- Connect photocontrol wires per instruction sheet provided in the box/or on the PC.

IMPORTANT: To weather-proof your outdoor installation, be sure to seal the top and sides of the back housing to the wall.



Outdoor Lighting

® Hubbell Lighting, Inc.
 701 Millennium Blvd.
 Greenville, SC 29607
 864-678-1000

93012545
 REV X