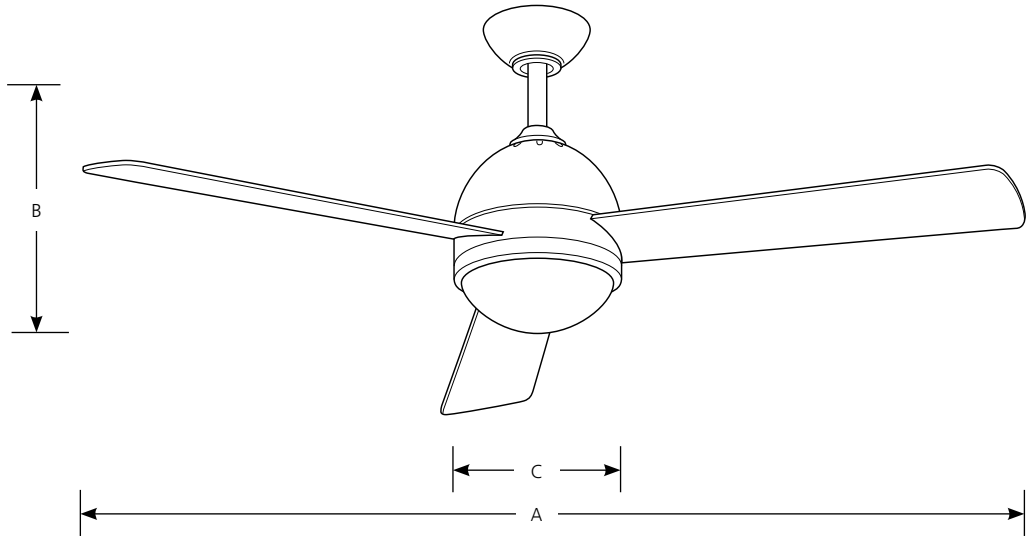


Type \_\_\_\_\_  
-09  
P2514

Catalog No.	Finish		Dimensions (Inches)		
	Brushed Nickel	Nickel	A	B	C
P2514	-09		52	18	8-7/8
<b>Blades</b>					
Side 1	Silver				
Side 2	Silver				



**ENERGYGUIDE**

Estimated Yearly Energy Cost  
**\$9.46**

Airflow  
**3071**  
Cubic Feet Per Minute

Cost Range of Similar Models (\$3 - \$34)

• The higher the airflow, the more air the fan will move  
• Airflow Efficiency: 91 Cubic Feet Per Minute Per Watt

• Based on 12 cents per kWh and 6.4 hours use per day  
• Your cost depends on rates and use  
• Energy Use: 34 Watts

All estimates based on national average installation costs.

Fan on included 6" downrod.

**Specifications:**

General

- 30 year limited warranty
- Full function remote control (with batteries) included
- Full range dimming
- Three speed fan operation
- Reverse direction control

Blades

- Three blades
- 12 degree pitch
- Plywood construction

Motor

- Three speed control
- 153mm dia x 18mm high

ENERGY INFORMATION AT HIGH SPEED

AIRFLOW: 4109 CFM cubic feet per minute  
ELECTRICITY USE: 53 watts (excludes lights)  
AIRFLOW EFFICIENCY: 79 cubic feet per minute per watt  
Fan on a downrod.

Light Kit

- Etched opal glass
- Utilizes one 100w E11 Quartz lamp, included.

Mounting

- Ceiling mounting on downrod.
- A 3/4" x 6" downrod is included. Longer accessory downrods can be ordered separately
- Installs on sloped ceilings up to 25° (4:12 pitch)
- Canopy covers standard recessed 4" octagonal outlet box. Note: An outlet box assembly designed for fan installation is required (not included)
- Mounting hardware is included

Electrical

- 80" lead wires included
- Ceramic mini-can socket
- Prewired

Labeling

- UL Dry location listed

Progress Lighting  
701 Millenium Blvd.  
Greenville, South Carolina  
29607