



# ELLIOTT ELECTRIC SUPPLY

We Deliver...Lower Cost, Quality Products, & Personal Service

3804 South Street  
75964-7263, TX Nacogdoches  
Phone: 936-569-7941  
Fax: 936-560-4685



## P460930 2-60W White Round Ceiling Fixutre *Progress Lighting*

Catalog Number	P460930
Manufacturer	Progress Lighting
Description	
Weight per unit	2.1 (lbs/each)
Product Category	Incandescent Surface Architect

### Features

Lamp Included	NO
Lamp Type	MEDIUM BASE
Material	Steel IN
Number of Lamps	2 in
Socket Type	sockets
Wattage	60 WTT

### Material, Color, and Finish

Color	WHITE
Finish	WHITE
Style	Contemporary/Modern

### Dimensions and Weight

Height	5.5 in
Width	51869

### Descriptions

Description	2-60W WHITE ROUND CEILING FIXUTRE
Product Type	2-60W Med Clse to CLG White

### Manufacturer Information

Brand	PROGRESS
GTIN	00785247460915
Manufacturers Part Number	P4609-30
UPC	785247460915

### Taxonomies, Classifications, and Categories

Category Description	DECORATIVE RESIDENTIAL
Type	Close-to-Ceiling

### Packaging

Carton	1
Package	6
Weight Per each	2.1



# ELLIOTT ELECTRIC SUPPLY

We Deliver...Lower Cost, Quality Products, & Personal Service

3804 South Street  
75964-7263, TX Nacogdoches  
Phone: 936-569-7941  
Fax: 936-560-4685

---

## Uses, Certifications, and Standards

Mounting

CEILING

standard

UL-CUL

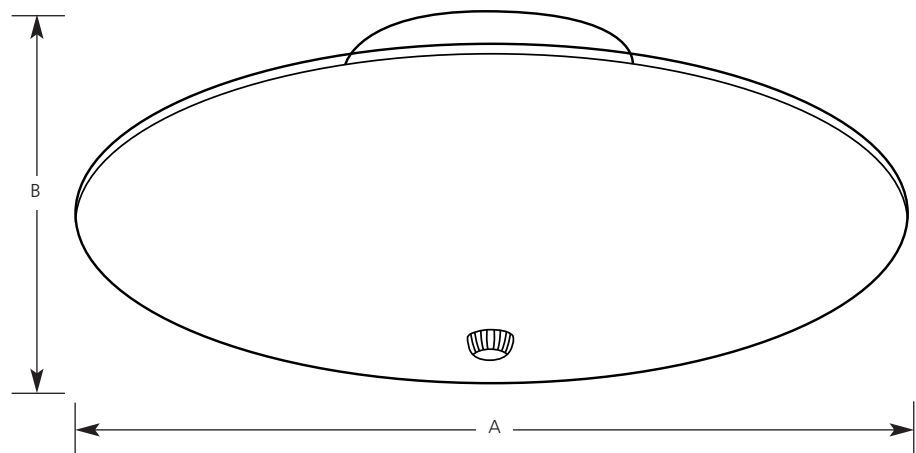
Type \_\_\_\_\_

-30

P4609

P4610

Catalog No.	Finish	Lamping	Dimensions (Inches)	
	White		A	B
P4609	-30	2 (m) 60w	12	5-1/2
P4610	-30	3 (m) 100w	14-1/2	7



**Specifications:**

General

- White round bent glass shade
- The glass shade is set off the ceiling to provide generous up lighting
- White painted finish
- Steel construction

Electrical

- Medium based phenolic socket
- Pre-wired

Labeling

- UL-CUL Dry Location listed

Mounting

- Ceiling mount
- Covers outlet box
- Mounting strap for outlet box included
- Canopy is 4-3/4" diameter

