



ELLIOTT ELECTRIC SUPPLY

We Deliver...Lower Cost, Quality Products, & Personal Service

3804 South Street
75964-7263, TX Nacogdoches
Phone: 936-569-7941
Fax: 936-560-4685



P60CACP Brass Duplex Round Floor

Thomas&Betts-Abb Ins Prod

Catalog Number	P60CACP
Manufacturer	Thomas&Betts-Abb Ins Prod
Description	
Weight per unit	1.3 (lbs/each)
Product Category	Floor Boxes & Accessories

Features

Knockouts	NO
Material	BRASS

Descriptions

Description	BRASS DUPLEX ROUND FLOOR
Product Type	Plaque Mono Laiton Pour Tapis
Special Features	Integrated carpet plate and duplex floor plate in one unit

Manufacturer Information

Brand	SC Floor Boxes
GTIN	00785991619249
Manufacturers Part Number	P 60 CACP
UPC	785991619249

Taxonomies, Classifications, and Categories

Category Description	FLOOR BOXES
Type	Flush Service

Packaging

Carton	1
Package	4
Weight Per each	1.26

Uses, Certifications, and Standards

Application	For use with 68 and 600 series floor boxes
standard	UL E11461

Flush Service Floor Boxes

Engineering Data — 68 and 600 Series



CAT. NO.	DIMENSIONS (IN.)			BEFORE POUR ADJ. (IN.)	AFTER POUR ADJ. (IN.)	MAXIMUM CAPACITY KOS (CU. IN.)	CONDUIT HUBS	CONDUIT KOS (IN.)	
	A	B	C					SIDES	BOTTOM
68-D	4¼	3⅝	4⅞	2½	½	60	—	(4) ¾ (4) 1	(2) ½ (2) ¾
68-S	4¼	2¾	4⅞	1½	½	47	—	(4) ¾	(2) ¾
600-SC	4¼	4¼	5⅞	2½	1⅞	64	¾	—	—
600-1-SC	4¼	4¼	5⅞	2½	1⅞	64	1	—	—
600-11/4	4¼	4¼	5⅞	2½	1⅞	64	1¼	—	—
600-2-SC	4¼	4¼	5⅞	2½	1⅞	64	2	—	—
601-SC	4¼	3⅞	5⅞	2½	1⅞	56	¾	—	—
601-1	4¼	3⅞	5⅞	2½	1⅞	56	1	—	—
601-11/4	4¼	3⅞	5⅞	2½	1⅞	56	1¼	—	—
602-SC	4¼	3½	4	2½	1⅞	36	¾	—	—
602-1	4¼	3½	4	2½	1⅞	36	¾	—	—
603-SC	4¼	2½	4	2½	1⅞	27	¾	—	—
604-SC	4¼	2	4	1½	—	15	¾	—	—

Use P60 Series covers and carpet plates.

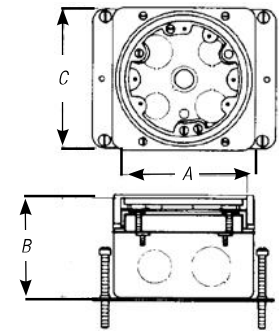
Wiring Device: Duplex, single or voice/data plates.



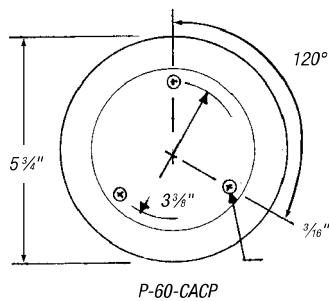
600-SC



68-D



MopTite® Carpet Plates for 68 and 600 Series



P-60-CACP



P-60-3/4-2-CACP

- Polished brass finish
- Integrated carpet plate and ¾"–2" floor plate in one unit
- Furnished complete with sealing gasket and 8-32 x 1" brass screws
- 5¼" outside diameter



P-60-CP

- Polished brass finish
- Furnished complete with 8-32 x 1" brass screws
- For brushed aluminum, add AL after catalog number



P-60-LCP

- Translucent polycarbonate
- Textured finish



CAT. NO.	DESCRIPTION	STD. CTN.
P-60-CP	Brass Carpet Plate, 5⅞" Diameter	4
P-60-CPAL	Aluminum Carpet Plate	4
P-60-LCP	Polycarbonate Carpet Plate, 5⅞" Diameter	4
P-60-CACP	Brass One-Piece Carpet Cover Plate	4
P-60-CACP-AL	Aluminum One-Piece Carpet	4
P-60-3/4-2-CACP	Brass One-Piece Carpet Plate with ¾"–2" Plugs	4
P60-3/4-2-CACP-AL	Aluminum One-Piece Carpet Plate with ¾"–2" Plugs	4
P60-CACP-GFCI	Brass One-Piece Carpet Plate for GFCI Devices	4
P60-CACP-GFCI-AL	Aluminum One-Piece Carpet Plate for GFCI Devices	4

New MopTite® Covers exceed UL® scrubwater exclusion requirements.



P-60-CACP

- Polished-brass finish
- Integrated carpet plate and duplex floor plate in one unit



P-60-CACP-GFCI

- Furnished complete with sealing gasket and 8-32 x 1" brass screws
- 5¼" outside diameter