

---

 TECHNICAL DATA SHEET

# Snap-Guard® Cushioned Clamps

## A716 Tube Series and P716 Pipe Series

### Superstrut®



Cushioned clamps absorb the shocks and associated vibrations from fluid surges in tubes, pipes and hoses.

---

**Feature:**

- Cushion
  - Absorbs shocks and vibrations.
  - Isolates copper piping from dissimilar metals in support systems.

---

**Applications:**

- Secure pipes, tubes and hoses for fluid conductors.

---

**Pipe sizes:**

- P716 series

---

**Temperature range:**

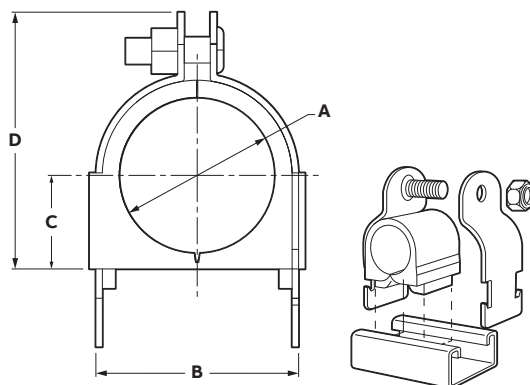
- -40°F to 300°F

---

**Material / Finish:**

- Standard finish GoldGalv®
- Also available in:
  - Electro-Galvanized (-EG)
  - Stainless Steel (-SS)

---

**Product selection - inches**
**Drawing:**


Part no:	Nominal pipe size	A	B	C	D
P716 1/4	¼	0.54	0.98	0.43	1.34
P716 3/8	⅜	0.67	1.13	0.49	1.54
P716 1/2	½	0.84	1.29	0.58	1.82
P716 3/4	¾	1.05	1.57	0.70	2.08
P716 1	1	1.31	1.76	0.81	2.34
P716 1-1/4	1¼	1.66	2.17	0.99	2.73
P716 1-1/2	1½	1.90	2.32	1.09	2.86
P716 2	2	2.37	2.82	1.41	3.67
P716 2-1/2	2½	2.87	3.32	1.66	4.17
P716 3	3	3.50	3.95	1.97	4.79
P716 3-1/2	3½	4.00	4.45	2.28	5.11
P716 4	4	4.50	4.95	2.53	5.92

Note: Product must be installed in accordance with applicable national and local electrical codes.

**Tube sizes:**

- A716 series

**Product selection - inches**

Drawing:	Part no:	Tube O.D.	A	B	C	D
	A716 1/4	1/4	0.25	0.62	0.27	0.98
	A716 3/8	3/8	0.37	0.82	0.33	1.13
	A716 1/2	1/2	0.50	0.94	0.40	1.34
	A716 5/8	5/8	0.62	1.06	0.46	1.54
	A716 3/4	3/4	0.75	1.20	0.52	1.68
	A716 7/8	7/8	0.87	1.31	0.58	1.82
	A716 1	1	1.00	1.44	0.65	1.95
	A716 1-1/8	1 1/8	1.12	1.57	0.70	2.08
	A716 1-1/4	1 1/4	1.25	1.70	0.77	2.21
	A716 1-3/8	1 3/8	1.37	1.82	0.83	2.34
	A716 1-1/2	1 1/2	1.50	1.95	0.90	2.47
	A716 1-5/8	1 5/8	1.62	2.07	0.96	2.60
	A716 1-3/4	1 3/4	1.75	2.20	1.02	2.73
	A716 1-7/8	1 7/8	1.90	2.32	1.09	2.86
	A716 2	2	2.00	2.45	1.15	3.04
	A716 2-1/8	2 1/8	2.12	2.57	1.27	3.23
	A716 2-3/8	2 3/8	2.37	2.82	1.41	3.67
	A716 2-5/8	2 5/8	2.62	3.07	1.53	3.92
	A716 3-1/8	3 1/8	3.12	3.57	1.78	4.42
	A716 4-1/8	4 1/8	4.12	4.57	2.34	5.54

Note: Product must be installed in accordance with applicable national and local electrical codes.