

## DESCRIPTION

Recessed 6 inch aperture open wall wash for two horizontal 26W double twin tube compact fluorescent lamps. Fixture is suitable for commercial construction. Insulation must be kept 3" from top and sides of housing. Universal input electronic ballast with dimming and emergency options.

Catalog #		Type
Project		
Comments		Date
Prepared by		

## SPECIFICATION FEATURES

### MECHANICAL Frame

Boat shaped galvanized steel frame with 1/2" plaster lip accommodates ceilings up to 2" thick. May be used for new construction or remodeling installations. Provided with (2) remodel clips to secure frame when installed from below the ceiling.

### Mounting Brackets

Bar hanger receivers adjusts 2" vertically from above the ceiling or thru the aperture. Use with No Fuss™ bar hangers or with 1/2" EMT. Removable to facilitate installation from below the ceiling.

### No Fuss™ Bar Hangers

Pre-installed and centered bar hanger locks to tee grid with a screwdriver or pliers. Centering marks on the bar hanger mechanism allows consistent positioning of fixtures.

### OPTICAL Reflector

Highly efficient one piece aluminum reflector combined with spun aluminum gradient kicker reflector provides for vertical illumination with a downlight component. Equal cutoff on room side and uniform illumination of the wall plane for a visually comfortable optic. Self flanged standard.

- **Specular Reflectors** - Polished flange standard with white painted flange option.

- **Baffles and White Reflector** - White painted flange standard.

### Trim Retention

Reflector assembly is retained with two torsion springs and held tightly to the finished ceiling surface. Orientation markings on housing and trim facilitate proper alignment.

### ELECTRICAL Junction Box

(6) 1/2" and (2) 3/4" trade size pry outs positioned to allow straight conduit runs. Listed for (12) #12 AWG (six in, six out) 90°C conductors and feed thru branch wiring.

### Lamp Socket

4-pin G24q base accepts (2) 26W DTT lamps.

### Socket Housing

Galvanized steel socket housing attached securely to reflector with captive thumbscrew. Vents provide effective lamp thermal management.

### Control Gear

Universal 120V - 277V UNV or 347V input electronic ballast for 26W compact fluorescent lamp.

### Emergency Battery Pack

REM - Remote emergency test switch. Housing includes 120V/277V, 60Hz dual-tap battery pack provides 90 minutes of emergency illumination. Long life maintenance free sealed nickel cadmium batteries recharge fully in 24 hours. REM configuration

includes prewired and attached remote test switch plate and indicator light. REM option is the standard emergency configuration, and is compatible with all standard reflector options, ordered separately.

Emergency Battery Pack - Average Lamp Lumen Ratings

REM option: (1-lamp only) 26W 425lm

(Note: average lamp lumens are based upon REM manufacturer ratings. Delivered lumens depend upon trim; refer to trim photometry to factor delivered lumens).

### Code Compliance

- Thermally protected and cULus listed for damp locations.
- IP20 rated for open trims.
- NFPA Life Safety (Emergency Battery Pack).
- EMI/RFI per FCC Title 47 CFR, Part 18, non consumer limits.
- High efficacy luminaire may be used to meet IECC, ASHRAE, and Title 24 commercial standards.



**PD6H226  
62HWW**

**(2) 26W DTT**

**Compact Fluorescent**

**6-Inch Aperture  
Open Wall Wash**

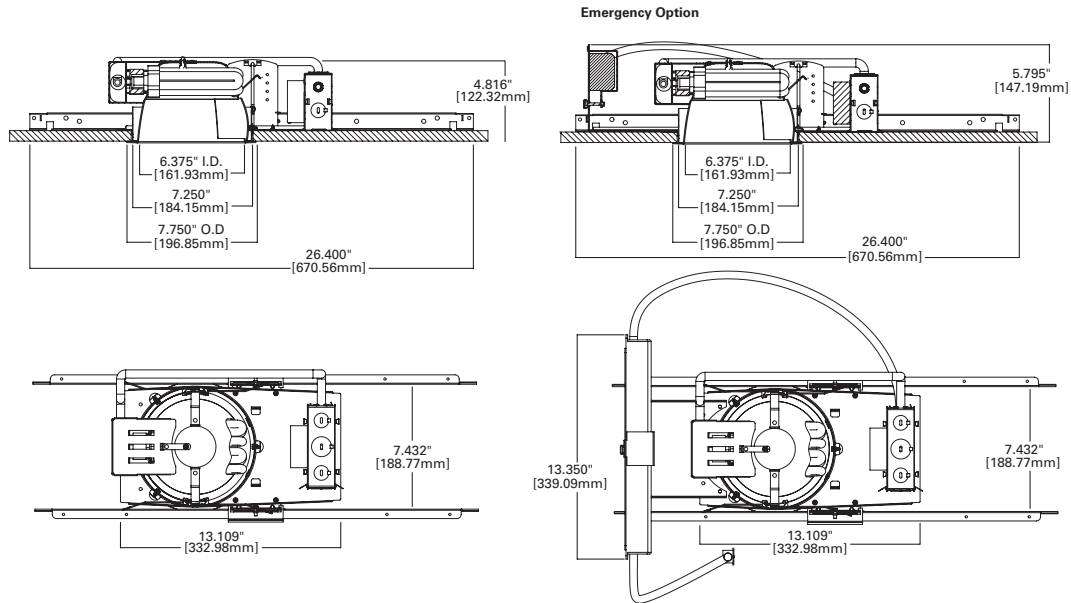
**New Construction or  
Remodel  
Non-IC**

## ENERGY DATA

PD6H226E, PD6CPH226E	
Min. Starting Temp -5°F / -20°C	Sound Rating Class A
EMI/RFI Emissions FCC 47CFR Part 18 Non-Consumer Limits	
Input Frequency 50/60 Hz	Power Factor > 0.98
THD < 10%	Input Voltage 120V - 277V ±10%
Crest factor < 1.7	Ballast factor 1.00
Operating Frequency > 40kHz	UL Listed Class P, Type 1 Outdoor, CSA or C/UL Certified
(2) CFQ26W/G24Q	Input Power 54W
	Input Current 0.50A @ 120V
	Input Current 0.22A @ 277V

PD6H2263E	
Min. Starting Temp 0°F / -18°C	Sound Rating Class A
EMI/RFI Emissions FCC 47CFR Part 18 Non-Consumer Limits	
Input Frequency 60Hz	Power Factor > 0.98
THD < 10%	Input Voltage 347VAC ±10%
CREST FACTOR < 1.5	Ballast factor 0.98
Operating Frequency 50-60 kHz	cULus Listed Class P, Type 1 Outdoor, Type CC
(2) CFQ26W/G24Q	Input Power 57W
	INPUT CURRENT 0.17A @ 347V

## DIMENSIONS



## ORDERING INFORMATION

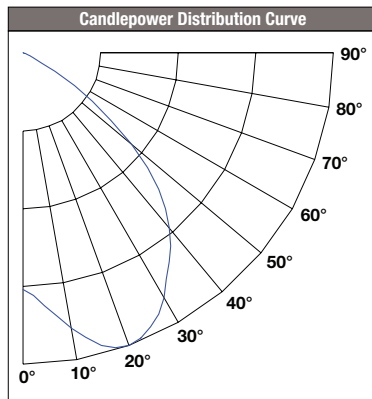
### SAMPLE NUMBER: PD6H226E 62HWWC

Order housing, reflector and lamp separately for a complete luminaire.

<p><b>Housing</b>  <b>PD6H226</b> = 6 Inch horizontal (2) 26W DTT CFL  <b>PD6CPH226</b> = 6 Inch horizontal (2) 26W DTT CFL, CCEA listed (Chicago Plenum)</p>		<p><b>Reflector</b>  <b>62HWW</b> = 6" horizontal open wall wash</p>		<p><b>Flange Option</b>  <b>Blank</b>=Polished Flange (C, G, H)  <b>Blank</b>=White flange (W)  <b>WF</b>=White Flange (C, G, H)</p>	<p><b>Accessories</b>  <b>HB128APK</b> = L channel hanger bar, 26", 'No-Fuss', pair (replacement)  <b>RMB22</b> = 22" long wood joist mounting bars</p>
<p><b>Ballast Option</b>  <b>E</b> = 120V - 277V 50/60Hz UNV  <b>REM</b> = 120V/277V 60Hz dual-tap emergency battery ballast with remote test switch plate  <b>3E</b> = 347V, 50/60Hz  <b>1DMARKX</b> = 5% two-wire (26W) dimming, 120V  <b>2DMARKX</b> = 5% two-wire (26W) dimming, 277V  <b>EDMARK7</b> = 5% 0-10V discrete two-wire (26W) dimming, 120-277V  <b>1DMARKXREM</b> = 5% two-wire (26W) dimming, 120V; with REM emergency option  <b>2DMARKXREM</b> = 5% two-wire (26W) dimming, 277V; with REM emergency option  <b>EDMARK7REM</b> = 5% 0-10V discrete two-wire (26W) dimming, 120-277V; with REM emergency option</p>			<p><b>Finish Option</b>  <b>C</b>=Specular Clear  <b>G</b>=Specular Gold  <b>H</b>=Semi Specular Clear  <b>W</b>=White (White Flange)</p>		

## PHOTOMETRY

PD6H226E-62HWWC\_26DTT  
 Spacing Criteria = 1.42  
 Lumens per Watt = 39 LpW  
 Test No. P31442  
 Test Model: PD6H226E-62HWWC\_26DTT



Candela Distribution	
Degrees Vertical	Candela
0*	783
5	806
15	832
25	813
35	713
45	500
55	250
65	72
75	26
85	3
90	0

\*CBCP

Luminance	
(Average Candela/M <sup>2</sup> )	
Degree	Avg. 0° Luminance
45	27673
55	15754
65	5459
75	2573
85	447

Zonal Lumen Summary			
Zone	Lumens	% Lamp	% Fixture
0-30	759.00	22.20	38.50
0-40	1245.6	36.40	63.10
0-60	1913.8	56.00	97.00
0-90	1973.8	57.70	100.00

Single Unit Footcandles					
2.5' from wall (distance from fixture along wall)					
	1	2	3	4	5
1	2.2	1.6	0.7	0.2	
2	15.9	11.0	3.8	1.2	
3	28.3	25.6	14.3	5.4	
4	22.1	21.8	15.6	9.1	
5	14.4	15.0	12.3	8.5	
6	9.2	9.9	8.9	6.8	
7	6.1	6.6	6.3	5.3	
8	4.2	4.5	4.5	4.0	
9	3.0	3.2	3.3	3.1	
10	2.2	2.3	2.4	2.3	

Multiple Unit Footcandles				
2.5' from wall (spacing between fixtures)				
	1	2	3	4
1	7.3	6.4	7.3	
2	28.6	30.1	28.6	
3	33.9	41.4	33.9	
4	27.1	32.9	27.1	
5	19.2	23.2	19.2	
6	13.5	15.8	13.5	
7	9.7	10.9	9.7	
8	7.0	7.7	7.0	
9	5.2	5.6	5.2	
10	3.9	4.1	3.9	

Multiple Unit Footcandles				
2.5' from wall (spacing between fixtures)				
	1	2	3	4
1	8.7	9.6	8.7	
2	35.2	42.8	35.2	
3	42.2	49.2	42.2	
4	32.0	36.6	32.0	
5	22.0	24.3	22.0	
6	15.0	16.0	15.0	
7	10.4	10.8	10.4	
8	7.4	7.6	7.4	
9	5.4	5.4	5.4	
10	4.0	4.0	4.0	

Beam diameter is to 50% of maximum footcandles, rounded to the nearest half-foot.  
 Footcandle values are initial, apply appropriate light loss factors where necessary.

Note: Specifications and Dimensions subject to change without notice.

Visit our web site at [www.cooperlighting.com](http://www.cooperlighting.com)