



Industry-leading efficacy, incredible value. The low-cost floodlight family just upped its game. PIPXL™ - up to 16,600 lumens and 100W of affordable LED light.

Color: Bronze

Weight: 20.6 lbs

Project:

Type:

Prepared By:

Date:

Driver Info

| Type | Constant Current |
|-------------------|------------------|
| 120V | 0.60A |
| 208V | 0.34A |
| 240V | 0.30A |
| 277V | 0.26A |
| Input Watts 71.7W | |

LED Info

| | |
|----------------|--------------|
| Watts | 70W |
| Color Temp | 5000K (Cool) |
| Color Accuracy | 74 CRI |
| L70 Lifespan | 60,000 Hours |
| Lumens | 11,191 lm |
| Efficacy | 156.1 lm/W |

Technical Specifications

Compliance

UL Listed:

Suitable for wet locations. Suitable for ground mounting.

IESNA LM-79 & LM-80 Testing:

RAB LED luminaires and LED components have been tested by an independent laboratory in accordance with IESNA LM-79 and LM-80.

DLC Listed:

This product family is listed with the DesignLights Consortium (DLC). Individual SKUs within this family may carry either a DLC Standard or DLC Premium qualification. Please refer to the individual product specification sheet or the DLC Qualified Products List (QPL) at designlights.org to confirm the qualification status of a specific SKU prior to specification or purchase.

Electrical

Driver:

Constant Current, Class 2, 120-277V, 50/60Hz, 120V: 0.60A, 208V: 0.34A, 240V: 0.30A, 277V 0.26A

Dimming Driver:

Driver includes dimming control wiring for 0-10V dimming systems. Requires separate 0-10V DC dimming circuit. Dims down to 10%.

THD:

3.74% at 120V, 8.54% at 277V

Power Factor:

99.9% at 120V, 96.7% at 277V

Surge Protection:

4 kV

LED Characteristics

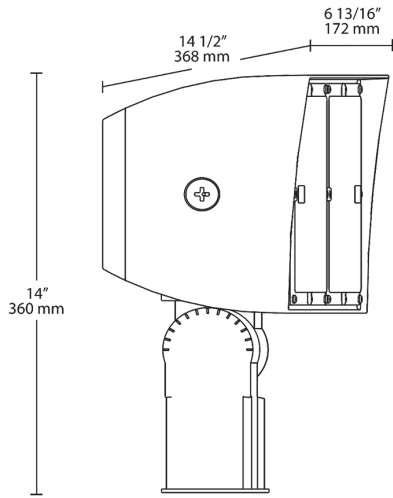
LEDs:

Long-life, high-efficacy, surface-mount LEDs

PIPXL70SF/D10



Dimensions



Features

- Ultra-high efficiency
- DLC Premium
- 0-10V Dimming, standard
- 60,000-Hour LED lifespan
- 5-Year, limited warranty

Ordering Matrix

| Family | Wattage | Mount | Color Temp | Finish | Driver | Options | Other Options |
|--------|------------------------|---------------------------------|---|-----------------------------|--|--|---|
| PIPXL | 70 | SF | | | /D10 | | |
| | 100 = 100W 70 = 70W | SF = Slipfitter T = Trunnion | Blank = 5000K Cool N = 4000K Neutral Y = 3000K Warm | Blank = Bronze W = White | /480/D10 = Dimmable 480V /D10 = Dimmable 120-277V | Blank = No Options /PCU = 120-277V Button Photocell /PCT = 120-277V Twistlock photocell /PCT4 = 480V Twistlock photocell /7PR = 7-Pin Receptacle /BL = Bi-Level /LC = Lightcloud | Blank = Standard USA = BAA Compliant |



Industry-leading efficacy, incredible value. The low-cost floodlight family just upped its game. PIPXL™ - up to 16,600 lumens and 100W of affordable LED light.

Color: Bronze

Weight: 20.6 lbs

Project:

Type:

Prepared By:

Date:

Driver Info

| Type | Constant Current |
|-------------------|------------------|
| 120V | 0.60A |
| 208V | 0.34A |
| 240V | 0.30A |
| 277V | 0.26A |
| Input Watts 71.7W | |

LED Info

| | |
|----------------|--------------|
| Watts | 70W |
| Color Temp | 5000K (Cool) |
| Color Accuracy | 74 CRI |
| L70 Lifespan | 60,000 Hours |
| Lumens | 11,191 lm |
| Efficacy | 156.1 lm/W |

Technical Specifications

Compliance

UL Listed:

Suitable for wet locations. Suitable for ground mounting.

IESNA LM-79 & LM-80 Testing:

RAB LED luminaires and LED components have been tested by an independent laboratory in accordance with IESNA LM-79 and LM-80.

DLC Listed:

This product family is listed with the DesignLights Consortium (DLC). Individual SKUs within this family may carry either a DLC Standard or DLC Premium qualification. Please refer to the individual product specification sheet or the DLC Qualified Products List (QPL) at designlights.org to confirm the qualification status of a specific SKU prior to specification or purchase.

Electrical

Driver:

Constant Current, Class 2, 120-277V, 50/60Hz, 120V: 0.60A, 208V: 0.34A, 240V: 0.30A, 277V 0.26A

Dimming Driver:

Driver includes dimming control wiring for 0-10V dimming systems. Requires separate 0-10V DC dimming circuit. Dims down to 10%.

THD:

3.74% at 120V, 8.54% at 277V

Power Factor:

99.9% at 120V, 96.7% at 277V

Surge Protection:

4 kV

LED Characteristics

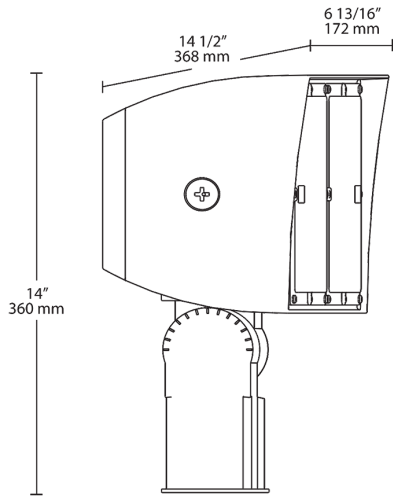
LEDs:

Long-life, high-efficacy, surface-mount LEDs

PIPXL70SF/D10



Dimensions



Features

- Ultra-high efficiency
- DLC Premium
- 0-10V Dimming, standard
- 60,000-Hour LED lifespan
- 5-Year, limited warranty

Ordering Matrix

| Family | Wattage | Mount | Color Temp | Finish | Driver | Options | Other Options |
|--------|------------------------|---------------------------------|---|-----------------------------|--|--|---|
| PIPXL | 70 | SF | | | /D10 | | |
| | 100 = 100W 70 = 70W | SF = Slipfitter T = Trunnion | Blank = 5000K Cool N = 4000K Neutral Y = 3000K Warm | Blank = Bronze W = White | /480/D10 = Dimmable 480V /D10 = Dimmable 120-277V | Blank = No Options /PCU = 120-277V Button Photocell /PCT = 120-277V Twistlock photocell /PCT4 = 480V Twistlock photocell /7PR = 7-Pin Receptacle /BL = Bi-Level /LC = Lightcloud | Blank = Standard USA = BAA Compliant |