

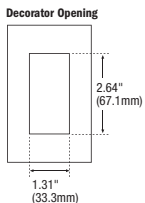
Wallplates

Decorator Screwless, Mid-Size and Standard

Contemporary design, sleek elegant lines, and a multitude of material, size and color choices make the Decorator Style an easy choice.



PJS26W



Gang	Description	Cat. No.	Color
Mid-Size			
1-Gang	Screwless	<input type="checkbox"/> PJS26__	A, B, BK, GY, LA, V, W
2-Gang	Screwless	<input type="checkbox"/> PJS262__	A, B, BK, GY, LA, V, W
3-Gang	Screwless	<input type="checkbox"/> PJS263__	A, BK, LA, V, W
4-Gang	Screwless	<input type="checkbox"/> PJS264__	A, BK, LA, V, W
5-Gang	Screwless	<input type="checkbox"/> PJS265__	A, BK, LA, V, W
6-Gang	Screwless	<input type="checkbox"/> PJS266__	A, BK, LA, V, W
Polycarbonate			
1-Gang	Polycarbonate	<input type="checkbox"/> PJ26__	A, B, BK, BL, GY, LA, RD, V, W
2-Gang	Polycarbonate	<input type="checkbox"/> PJ262__	A, B, BK, BL, GY, LA, RN, RD, V, W
3-Gang	Polycarbonate	<input type="checkbox"/> PJ263__	A, B, BK, GY, LA, V, W
4-Gang	Polycarbonate	<input type="checkbox"/> PJ264__	A, B, BK, GY, LA, V, W
5-Gang	Polycarbonate	<input type="checkbox"/> PJ265__	A, B, BK, GY, LA, V, W
6-Gang	Polycarbonate	<input type="checkbox"/> PJ266__	A, B, BK, GY, LA, V, W
Thermoset			
1-Gang	Thermoset	<input type="checkbox"/> 2051__	A, B, LA, V, W
2-Gang	Thermoset	<input type="checkbox"/> 2052__	A, LA, V, W
3-Gang	Thermoset	<input type="checkbox"/> 2063__	A, LA, V, W
4-Gang	Thermoset	<input type="checkbox"/> 2064__	A, LA, V, W
Stainless Steel			
1-Gang	Stainless Steel	<input type="checkbox"/> 93934__	SS
2-Gang	Stainless Steel	<input type="checkbox"/> 93935__	SS
3-Gang	Stainless Steel	<input type="checkbox"/> 93936__	SS
Standard-Size			
Nylon			
1-Gang	Nylon	<input type="checkbox"/> 5151__	A, B, BK, BL, GY, LA, RD, V, W
2-Gang	Nylon	<input type="checkbox"/> 5152__	A, B, BK, GY, LA, V, W
Thermoset			
1-Gang	Thermoset	<input type="checkbox"/> 2151__	A, B, BK, GY, LA, V, W
2-Gang	Thermoset	<input type="checkbox"/> 2152__	A, B, BK, GY, LA, V, W
3-Gang	Thermoset	<input type="checkbox"/> 2163__	A, B, GY, LA, V, W
4-Gang	Thermoset	<input type="checkbox"/> 2164__	A, B, LA, V, W
5-Gang	Thermoset	<input type="checkbox"/> 2165__	A, B, LA, V, W
6-Gang	Thermoset	<input type="checkbox"/> 2166__	A, B, LA, V, W
Stainless Steel			
1-Gang	Stainless Steel	<input type="checkbox"/> 93401__	SS
2-Gang	Stainless Steel	<input type="checkbox"/> 93402__	SS
3-Gang	Stainless Steel	<input type="checkbox"/> 93403__	SS
4-Gang	Stainless Steel	<input type="checkbox"/> 93404__	SS
5-Gang	Stainless Steel	<input type="checkbox"/> 93405__	SS
6-Gang	Stainless Steel	<input type="checkbox"/> 93406__	SS
Brass			
1-Gang	Brass	<input type="checkbox"/> 94401__	Brass
2-Gang	Brass	<input type="checkbox"/> 94401__	Brass

For ordering wallplates, include Cat. No. followed by the color code: A (Almond), B (Brown), BK (Black), BL (Blue), GY (Gray), LA (Light Almond), RD (Red), RN (Orange), SS (Stainless Steel), V (Ivory), W (White)

Regulatory

- UL 514D and cUL Listed, UL file #E33216
- Meets Federal Specification WP-455. Meets all CSA requirements, C22.2 no. 42.1
- Meets flammability requirements per UL 94, V2 rated

Screwless

- Screwless wallplates appear to float freely on the surface of the wall
- Mounting plate attaches to the wiring device and the wallplate is simply pressed into place for an easy and fast installation.
- Mid-sized to cover wall imperfections and large wallboard openings
- Virtually unbreakable polycarbonate construction

Thermoplastic

- Exclusive time-saving Screw-Catch™ feature holds mounting screws captive, simplifying installation
- Nylon wallplates are flush-fitting and warp resistant
- Polycarbonate wallplates are virtually unbreakable, with high structural rigidity, long-term form retention, and superior impact resistance
- Temperature rating: -40°C to 70°C

Mounting Holes for Wallplates and Covers

These are the most common nominal spacings for mounting holes on wallplates and covers. Holes are normally countersunk for oval head #6-32 screws.

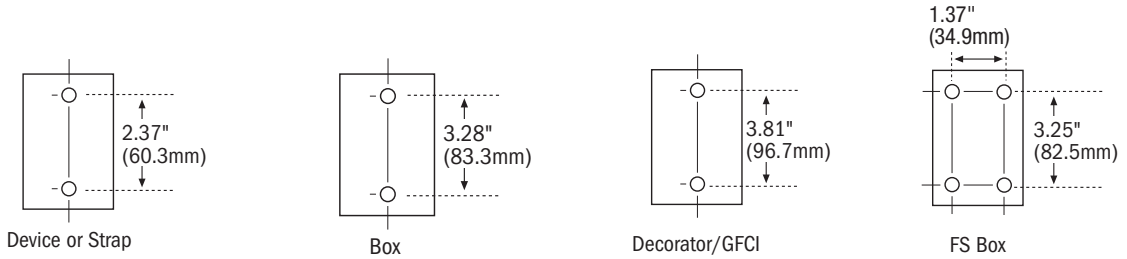
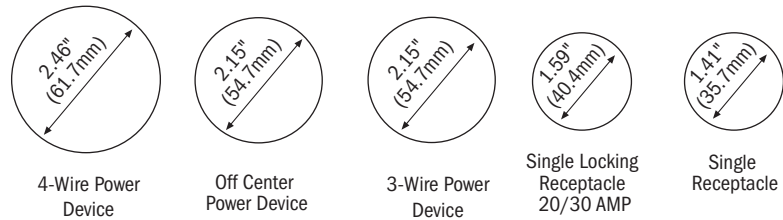


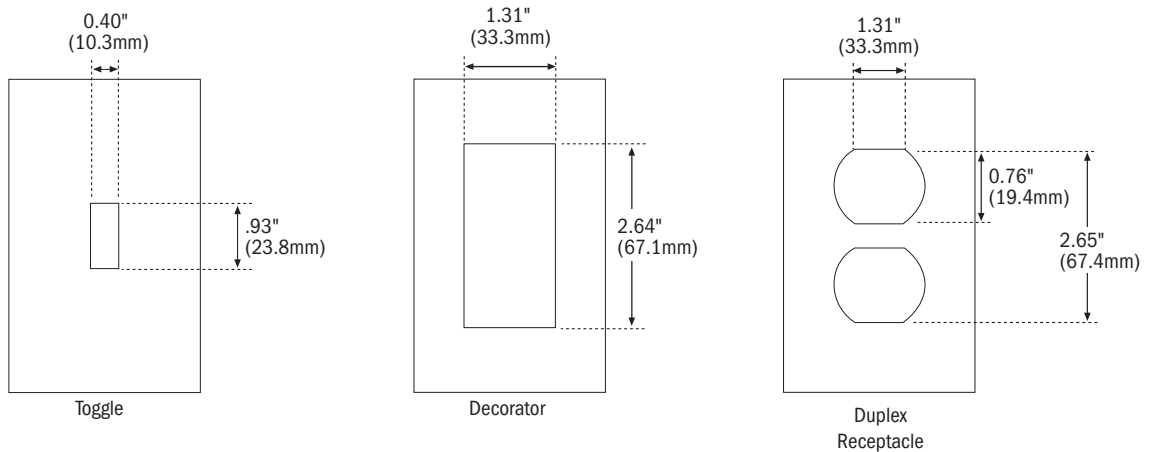
Plate and Cover Opening Dimensions

Cover Openings

Nominal dimensions for plate and cover openings conform to industry standards and practices.

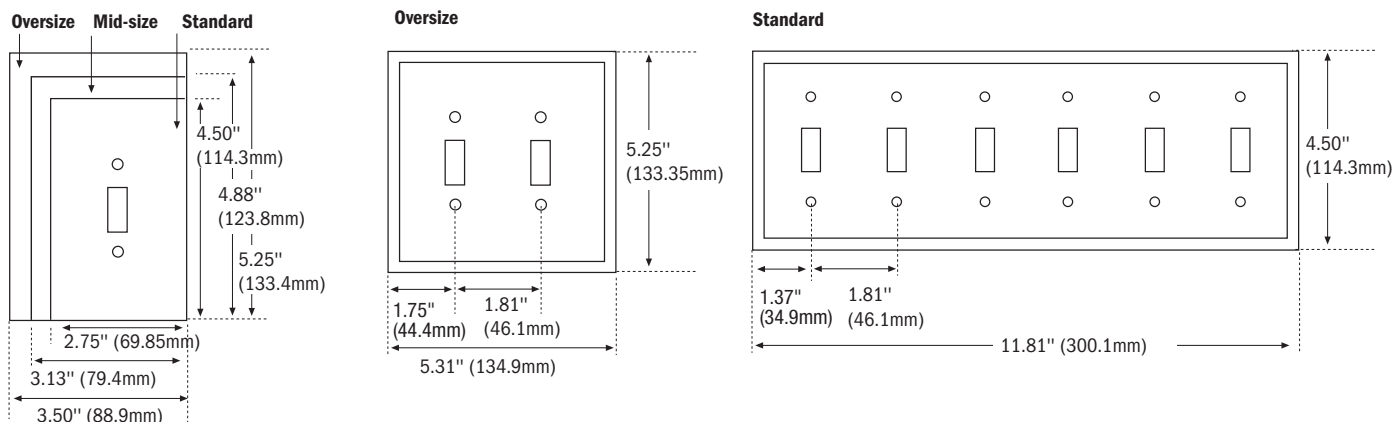


Common Opening Configurations



Wallplate Sizes

Description		Height	Width	First Gang to Edge	Gang to Gang
1-Gang	Standard	4.50" (114.3mm)	2.75" (69.8mm)	1.37" (34.9mm)	—
	Mid-Size	4.87" (123.8mm)	3.12" (79.4mm)	1.56" (39.7mm)	—
	Oversize	5.25" (133.3mm)	3.50" (88.9mm)	1.75" (44.4mm)	—
2-Gang	Standard	4.50" (114.3mm)	4.56" (115.9mm)	1.37" (34.9mm)	1.81" (46.0mm)
	Mid-Size	4.87" (123.8mm)	4.94" (125.4mm)	1.56" (39.7mm)	1.81" (46.0mm)
	Oversize	5.25" (133.3mm)	5.31" (134.9mm)	1.75" (44.4mm)	1.81" (46.0mm)
3-Gang	Standard	4.50" (114.3mm)	6.37" (161.9mm)	1.37" (34.9mm)	1.81" (46.0mm)
	Mid-Size	4.87" (123.8mm)	6.75" (171.4mm)	1.56" (39.7mm)	1.81" (46.0mm)
	Oversize	5.25" (133.4mm)	7.17" (182.2mm)	1.75" (44.4mm)	1.81" (46.1mm)
4-Gang	Standard	4.50" (114.3mm)	8.19" (207.9mm)	1.37" (34.9mm)	1.81" (46.0mm)
	Mid-Size	4.87" (123.8mm)	8.56" (217.5mm)	1.56" (39.7mm)	1.81" (46.0mm)
	Oversize	5.25" (133.3mm)	8.94" (227.0mm)	1.75" (44.4mm)	1.81" (46.0mm)
5-Gang	Standard	4.50" (114.3mm)	10.00" (254.0mm)	1.37" (34.9mm)	1.81" (46.0mm)
	Mid-Size	4.87" (123.8mm)	10.37" (263.5mm)	1.56" (39.7mm)	1.81" (46.0mm)
6-Gang	Standard	4.50" (114.3mm)	11.81" (300.0mm)	1.37" (34.9mm)	1.81" (46.0mm)
	Mid-Size	4.87" (123.8mm)	12.18" (309.5mm)	1.56" (39.7mm)	1.81" (46.0mm)





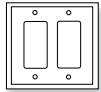
1-Gang
with 1.406"
Hole

Single Receptacle

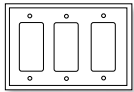
Description	Material	Catalog No.	Colors	
1-Gang with 1.406" (35.712mm) Hole	Thermoset	<input type="checkbox"/> 2031 __	A, B, LA, V, W	•
	302/304 Stainless Steel	<input type="checkbox"/> 93991	—	•



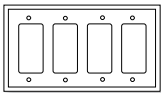
1-Gang



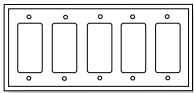
2-Gang



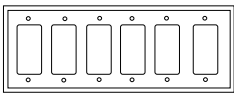
3-Gang



4-Gang



5-Gang



6-Gang

Decorator

Description	Material	Catalog No.	Colors		
1-Gang	Polycarbonate	<input type="checkbox"/> PJ26 __	A, B, BK, BL, GY, LA, RD, V, W		
	REPEL Polycarbonate	<input type="checkbox"/> PJ26AM __	GY, RD, V, W	•	
	Thermoset	<input type="checkbox"/> 2051 __	A, B, LA, V, W		•
	302/304 Stainless Steel	<input type="checkbox"/> 93934	—		•
2-Gang	Polycarbonate	<input type="checkbox"/> PJ262 __	A, B, BK, BL, GY, LA, RD, RN, V, W		
	REPEL Polycarbonate	<input type="checkbox"/> PJ262AM __	GY, RD, V, W	•	
	Thermoset	<input type="checkbox"/> 2052 __	A, LA, V, W		•
	302/304 Stainless Steel	<input type="checkbox"/> 93935	—		•
3-Gang	Polycarbonate	<input type="checkbox"/> PJ263 __	A, B, BK, GY, LA, V, W		
	REPEL Polycarbonate	<input type="checkbox"/> PJ263AM __	GY, V, W	•	
	Thermoset	<input type="checkbox"/> 2063 __	A, LA, V, W		•
	302/304 Stainless Steel	<input type="checkbox"/> 93936	—		•
4-Gang	Polycarbonate	<input type="checkbox"/> PJ264 __	A, B, BK, GY, LA, V, W		
	REPEL Polycarbonate	<input type="checkbox"/> PJ264AM __	GY, V, W	•	
	Thermoset	<input type="checkbox"/> 2064 __	A, LA, V, W		•
5-Gang	Polycarbonate	<input type="checkbox"/> PJ265 __	A, B, BK, GY, LA, V, W		
6-Gang	Polycarbonate	<input type="checkbox"/> PJ266 __	A, B, BK, GY, LA, V, W		

Color Ordering Information

For ordering wallplates, include Cat. No. followed by the color code: A (Almond), B (Brown), BK (Black), BL (Blue), GY (Gray), LA (Light Almond), RD (Red), RN (Orange), V (Ivory), W (White)

Specification Information:

Wallplates: J-21

Icon Key

- NAFTA Compliant - see page O-30
- REPEL Wallplates - see page J-1

Certifications

PJ & PJS series wallplates are cULus certified
 2000 series wallplates are cULus certified
 90000 series wallplates are UL and CSA certified

Wallplates

Standard Size
Mid-Size
Oversize
REPEL

	Wallplate Type	Standard Size, Mid-Sized & Oversize Wallplates				REPEL	
	Material Type	Thermoset	Nylon	Stainless Steel	Polycarbonate	REPEL Polycarbonate Mid-Sized Wallplates PJ_AM and PJS_AM Series	REPEL Stainless Steel Standard Size Wallplates 93070_AM, 93090_AM, 93100_AM, 93400_AM Series
	Manufacturing Process	Injection Molded	Injection Molded	Stamped	Injection Molded	Injection Molded	Stamped
	Testing & Code Compliance	UL Listed to UL 514D, file no. E33216	UL Listed to UL 514D, file no. E33216	UL Listed to UL 514D, file no. E92003	UL Listed to UL 514D, file no. E33216	UL Listed to UL 514D, file no. E33216	UL Listed to UL 514D, file no. E92003
		cUL certified to C22.2, no. 42.1, UL file E33216	cUL certified to C22.2, no. 42.1, UL file E33216	CSA certified to C22.2, no. 42.1	cUL, UL file E33216 certified to C22.2, no. 42.1	Agion® Antimicrobial Additive: EPA approved for use as product ingredient	Agion® Antimicrobial Additive: EPA approved for use as product ingredient
Specifications: Environmental	Flammability	Meets UL 94 requirements; 5V rated	Meets UL 94 requirements; 5V rated	N/A	Meets UL 94 requirements 5VA rated	Meets UL 94 requirements; 5V rated	N/A
	Temperature Rating	-40°C to 90°C (-40°F to 194°F)	-40°C to 70°C (-40°F to 158°F)	-40°C to 70°C (-40°F to 158°F)	-40° to 70° C (-40°F to 158°F)	-40°C to 70°C (-40°F to 158°F)	-40°C to 70°C (-40°F to 158°F)
Materials:	Body	0.080" thick thermoset urea or phenolic	0.060" thick thermoplastic	0.032" thick stainless steel alloy, 18% chromium and 8% nickel for corrosion resistance	0.08" thick thermoplastic polycarbonate	0.071" thick polycarbonate with Agion® Antimicrobial Additive incorporated	0.032" thick 302/304 stainless steel alloy, 18% chromium and 8% nickel for corrosion resistance, DuPont® Alesta® powder coating with Agion® Antimicrobial incorporated
	Inner Wallplate	N/A	N/A	N/A	0.071" thick polycarbonate	PJS_AM only: 0.071" thick polycarbonate	N/A

NOTE: REPEL products do not protect the user against disease causing organisms and ongoing regular cleaning practices should be maintained. Agion is a registered trademark of Agion Technologies, Inc., Wakefield, MA

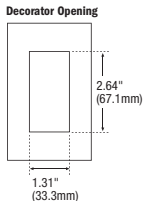
Wallplates

Decorator Screwless, Mid-Size and Standard

Contemporary design, sleek elegant lines, and a multitude of material, size and color choices make the Decorator Style an easy choice.



PJS26W



Gang	Description	Cat. No.	Color
Mid-Size			
1-Gang	Screwless	<input type="checkbox"/> PJS26__	A, B, BK, GY, LA, V, W
2-Gang	Screwless	<input type="checkbox"/> PJS262__	A, B, BK, GY, LA, V, W
3-Gang	Screwless	<input type="checkbox"/> PJS263__	A, BK, LA, V, W
4-Gang	Screwless	<input type="checkbox"/> PJS264__	A, BK, LA, V, W
5-Gang	Screwless	<input type="checkbox"/> PJS265__	A, BK, LA, V, W
6-Gang	Screwless	<input type="checkbox"/> PJS266__	A, BK, LA, V, W
<hr/>			
1-Gang	Polycarbonate	<input type="checkbox"/> PJ26__	A, B, BK, BL, GY, LA, RD, V, W
2-Gang	Polycarbonate	<input type="checkbox"/> PJ262__	A, B, BK, BL, GY, LA, RN, RD, V, W
3-Gang	Polycarbonate	<input type="checkbox"/> PJ263__	A, B, BK, GY, LA, V, W
4-Gang	Polycarbonate	<input type="checkbox"/> PJ264__	A, B, BK, GY, LA, V, W
5-Gang	Polycarbonate	<input type="checkbox"/> PJ265__	A, B, BK, GY, LA, V, W
6-Gang	Polycarbonate	<input type="checkbox"/> PJ266__	A, B, BK, GY, LA, V, W
<hr/>			
1-Gang	Thermoset	<input type="checkbox"/> 2051__	A, B, LA, V, W
2-Gang	Thermoset	<input type="checkbox"/> 2052__	A, LA, V, W
3-Gang	Thermoset	<input type="checkbox"/> 2063__	A, LA, V, W
4-Gang	Thermoset	<input type="checkbox"/> 2064__	A, LA, V, W
<hr/>			
1-Gang	Stainless Steel	<input type="checkbox"/> 93934__	SS
2-Gang	Stainless Steel	<input type="checkbox"/> 93935__	SS
3-Gang	Stainless Steel	<input type="checkbox"/> 93936__	SS
Standard-Size			
1-Gang	Nylon	<input type="checkbox"/> 5151__	A, B, BK, BL, GY, LA, RD, V, W
2-Gang	Nylon	<input type="checkbox"/> 5152__	A, B, BK, GY, LA, V, W
<hr/>			
1-Gang	Thermoset	<input type="checkbox"/> 2151__	A, B, BK, GY, LA, V, W
2-Gang	Thermoset	<input type="checkbox"/> 2152__	A, B, BK, GY, LA, V, W
3-Gang	Thermoset	<input type="checkbox"/> 2163__	A, B, GY, LA, V, W
4-Gang	Thermoset	<input type="checkbox"/> 2164__	A, B, LA, V, W
5-Gang	Thermoset	<input type="checkbox"/> 2165__	A, B, LA, V, W
6-Gang	Thermoset	<input type="checkbox"/> 2166__	A, B, LA, V, W
<hr/>			
1-Gang	Stainless Steel	<input type="checkbox"/> 93401__	SS
2-Gang	Stainless Steel	<input type="checkbox"/> 93402__	SS
3-Gang	Stainless Steel	<input type="checkbox"/> 93403__	SS
4-Gang	Stainless Steel	<input type="checkbox"/> 93404__	SS
5-Gang	Stainless Steel	<input type="checkbox"/> 93405__	SS
6-Gang	Stainless Steel	<input type="checkbox"/> 93406__	SS
<hr/>			
1-Gang	Brass	<input type="checkbox"/> 94401__	Brass
2-Gang	Brass	<input type="checkbox"/> 94401__	Brass

For ordering wallplates, include Cat. No. followed by the color code: A (Almond), B (Brown), BK (Black), BL (Blue), GY (Gray), LA (Light Almond), RD (Red), RN (Orange), SS (Stainless Steel), V (Ivory), W (White)

Regulatory

- UL 514D and cUL Listed, UL file #E33216
- Meets Federal Specification WP-455. Meets all CSA requirements, C22.2 no. 42.1
- Meets flammability requirements per UL 94, V2 rated

Screwless

- Screwless wallplates appear to float freely on the surface of the wall
- Mounting plate attaches to the wiring device and the wallplate is simply pressed into place for an easy and fast installation.
- Mid-sized to cover wall imperfections and large wallboard openings
- Virtually unbreakable polycarbonate construction

Thermoplastic

- Exclusive time-saving Screw-Catch™ feature holds mounting screws captive, simplifying installation
- Nylon wallplates are flush-fitting and warp resistant
- Polycarbonate wallplates are virtually unbreakable, with high structural rigidity, long-term form retention, and superior impact resistance
- Temperature rating: -40°C to 70°C

Mounting Holes for Wallplates and Covers

These are the most common nominal spacings for mounting holes on wallplates and covers. Holes are normally countersunk for oval head #6-32 screws.

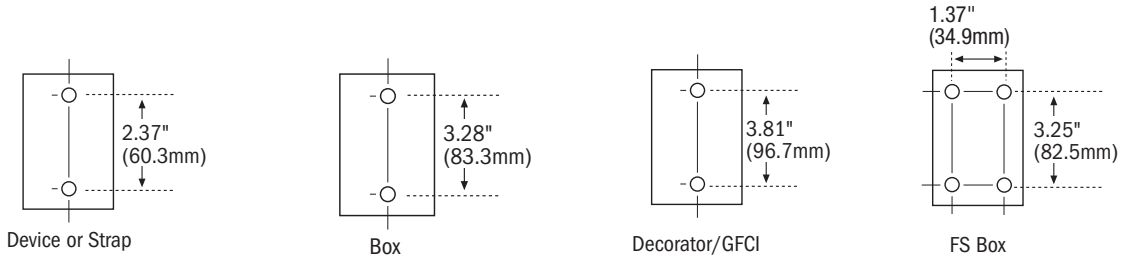
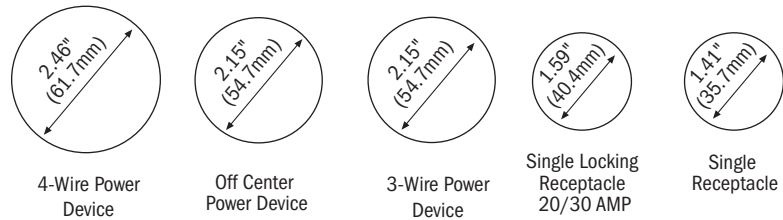


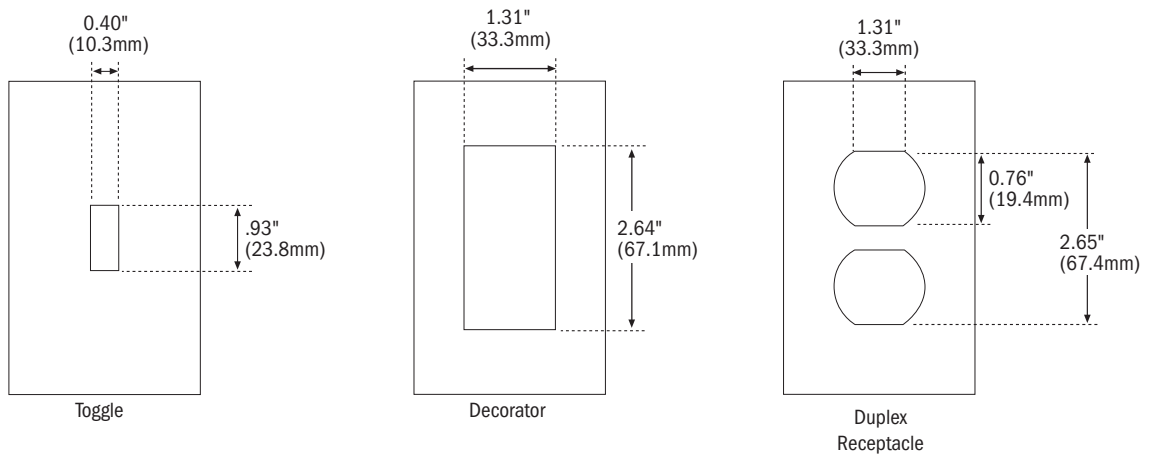
Plate and Cover Opening Dimensions

Cover Openings

Nominal dimensions for plate and cover openings conform to industry standards and practices.

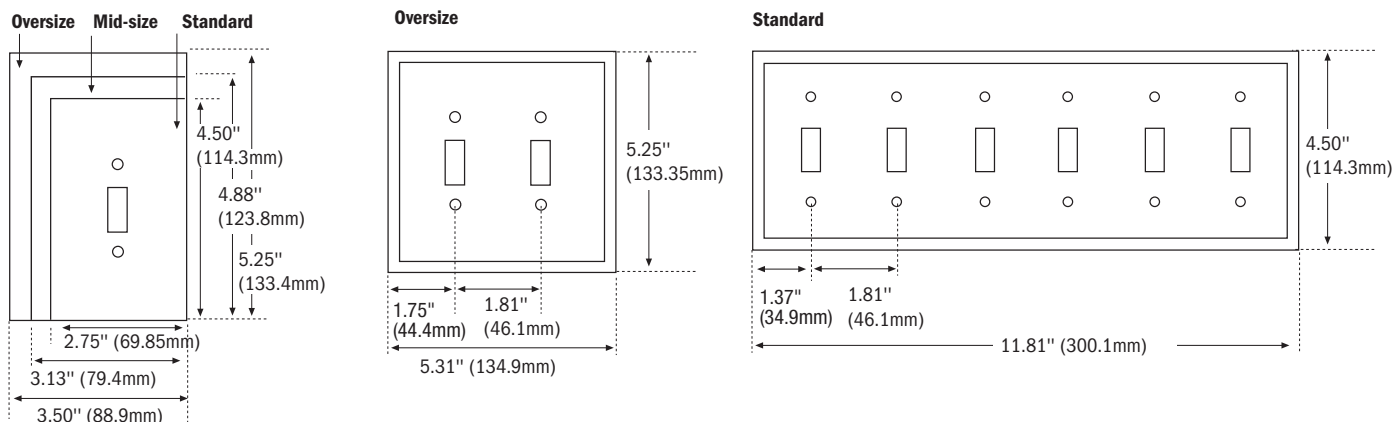


Common Opening Configurations



Wallplate Sizes

Description		Height	Width	First Gang to Edge	Gang to Gang
1-Gang	Standard	4.50" (114.3mm)	2.75" (69.8mm)	1.37" (34.9mm)	—
	Mid-Size	4.87" (123.8mm)	3.12" (79.4mm)	1.56" (39.7mm)	—
	Oversize	5.25" (133.3mm)	3.50" (88.9mm)	1.75" (44.4mm)	—
2-Gang	Standard	4.50" (114.3mm)	4.56" (115.9mm)	1.37" (34.9mm)	1.81" (46.0mm)
	Mid-Size	4.87" (123.8mm)	4.94" (125.4mm)	1.56" (39.7mm)	1.81" (46.0mm)
	Oversize	5.25" (133.3mm)	5.31" (134.9mm)	1.75" (44.4mm)	1.81" (46.0mm)
3-Gang	Standard	4.50" (114.3mm)	6.37" (161.9mm)	1.37" (34.9mm)	1.81" (46.0mm)
	Mid-Size	4.87" (123.8mm)	6.75" (171.4mm)	1.56" (39.7mm)	1.81" (46.0mm)
	Oversize	5.25" (133.4mm)	7.17" (182.2mm)	1.75" (44.4mm)	1.81" (46.1mm)
4-Gang	Standard	4.50" (114.3mm)	8.19" (207.9mm)	1.37" (34.9mm)	1.81" (46.0mm)
	Mid-Size	4.87" (123.8mm)	8.56" (217.5mm)	1.56" (39.7mm)	1.81" (46.0mm)
	Oversize	5.25" (133.3mm)	8.94" (227.0mm)	1.75" (44.4mm)	1.81" (46.0mm)
5-Gang	Standard	4.50" (114.3mm)	10.00" (254.0mm)	1.37" (34.9mm)	1.81" (46.0mm)
	Mid-Size	4.87" (123.8mm)	10.37" (263.5mm)	1.56" (39.7mm)	1.81" (46.0mm)
6-Gang	Standard	4.50" (114.3mm)	11.81" (300.0mm)	1.37" (34.9mm)	1.81" (46.0mm)
	Mid-Size	4.87" (123.8mm)	12.18" (309.5mm)	1.56" (39.7mm)	1.81" (46.0mm)





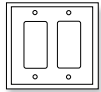
1-Gang
with 1.406"
Hole

Single Receptacle

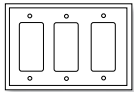
Description	Material	Catalog No.	Colors	
1-Gang with 1.406" (35.712mm) Hole	Thermoset	<input type="checkbox"/> 2031 __	A, B, LA, V, W	•
	302/304 Stainless Steel	<input type="checkbox"/> 93991	—	•



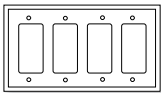
1-Gang



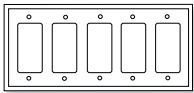
2-Gang



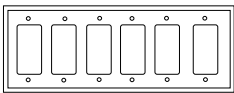
3-Gang



4-Gang



5-Gang



6-Gang

Decorator

Description	Material	Catalog No.	Colors		
1-Gang	Polycarbonate	<input type="checkbox"/> PJ26 __	A, B, BK, BL, GY, LA, RD, V, W		
	REPEL Polycarbonate	<input type="checkbox"/> PJ26AM __	GY, RD, V, W	•	
	Thermoset	<input type="checkbox"/> 2051 __	A, B, LA, V, W		•
	302/304 Stainless Steel	<input type="checkbox"/> 93934	—		•
2-Gang	Polycarbonate	<input type="checkbox"/> PJ262 __	A, B, BK, BL, GY, LA, RD, RN, V, W		
	REPEL Polycarbonate	<input type="checkbox"/> PJ262AM __	GY, RD, V, W	•	
	Thermoset	<input type="checkbox"/> 2052 __	A, LA, V, W		•
	302/304 Stainless Steel	<input type="checkbox"/> 93935	—		•
3-Gang	Polycarbonate	<input type="checkbox"/> PJ263 __	A, B, BK, GY, LA, V, W		
	REPEL Polycarbonate	<input type="checkbox"/> PJ263AM __	GY, V, W	•	
	Thermoset	<input type="checkbox"/> 2063 __	A, LA, V, W		•
	302/304 Stainless Steel	<input type="checkbox"/> 93936	—		•
4-Gang	Polycarbonate	<input type="checkbox"/> PJ264 __	A, B, BK, GY, LA, V, W		
	REPEL Polycarbonate	<input type="checkbox"/> PJ264AM __	GY, V, W	•	
	Thermoset	<input type="checkbox"/> 2064 __	A, LA, V, W		•
5-Gang	Polycarbonate	<input type="checkbox"/> PJ265 __	A, B, BK, GY, LA, V, W		
6-Gang	Polycarbonate	<input type="checkbox"/> PJ266 __	A, B, BK, GY, LA, V, W		

Color Ordering Information

For ordering wallplates, include Cat. No. followed by the color code: A (Almond), B (Brown), BK (Black), BL (Blue), GY (Gray), LA (Light Almond), RD (Red), RN (Orange), V (Ivory), W (White)

Specification Information:

Wallplates: J-21

Icon Key

- NAFTA Compliant - see page O-30
- REPEL Wallplates - see page J-1

Certifications

PJ & PJS series wallplates are cULus certified
 2000 series wallplates are cULus certified
 90000 series wallplates are UL and CSA certified

Wallplates

Standard Size
Mid-Size
Oversize
REPEL

	Wallplate Type	Standard Size, Mid-Sized & Oversize Wallplates				REPEL	
		Material Type	Material Type	Material Type	Material Type	Material Type	Material Type
		Thermoset	Nylon	Stainless Steel	Polycarbonate	REPEL Polycarbonate Mid-Sized Wallplates PJ_AM and PJS_AM Series	REPEL Stainless Steel Standard Size Wallplates 93070_AM, 93090_AM, 93100_AM, 93400_AM Series
	Manufacturing Process	Injection Molded	Injection Molded	Stamped	Injection Molded	Injection Molded	Stamped
	Testing & Code Compliance	UL Listed to UL 514D, file no. E33216	UL Listed to UL 514D, file no. E33216	UL Listed to UL 514D, file no. E92003	UL Listed to UL 514D, file no. E33216	UL Listed to UL 514D, file no. E33216	UL Listed to UL 514D, file no. E92003
		cUL certified to C22.2, no. 42.1, UL file E33216	cUL certified to C22.2, no. 42.1, UL file E33216	CSA certified to C22.2, no. 42.1	cUL, UL file E33216 certified to C22.2, no. 42.1	Agion® Antimicrobial Additive: EPA approved for use as product ingredient	Agion® Antimicrobial Additive: EPA approved for use as product ingredient
Specifications: Environmental	Flammability	Meets UL 94 requirements; 5V rated	Meets UL 94 requirements; 5V rated	N/A	Meets UL 94 requirements 5VA rated	Meets UL 94 requirements; 5V rated	N/A
	Temperature Rating	-40°C to 90°C (-40°F to 194°F)	-40°C to 70°C (-40°F to 158°F)	-40°C to 70°C (-40°F to 158°F)	-40° to 70° C (-40°F to 158°F)	-40°C to 70°C (-40°F to 158°F)	-40°C to 70°C (-40°F to 158°F)
Materials:	Body	0.080" thick thermoset urea or phenolic	0.060" thick thermoplastic	0.032" thick stainless steel alloy, 18% chromium and 8% nickel for corrosion resistance	0.08" thick thermoplastic polycarbonate	0.071" thick polycarbonate with Agion® Antimicrobial Additive incorporated	0.032" thick 302/304 stainless steel alloy, 18% chromium and 8% nickel for corrosion resistance, DuPont® Alesta® powder coating with Agion® Antimicrobial incorporated
	Inner Wallplate	N/A	N/A	N/A	0.071" thick polycarbonate	PJS_AM only: 0.071" thick polycarbonate	N/A

NOTE: REPEL products do not protect the user against disease causing organisms and ongoing regular cleaning practices should be maintained. Agion is a registered trademark of Agion Technologies, Inc., Wakefield, MA