

See everything you're looking for in a Fusible Mechanical Interlock. Even if it's a blown fuse.

Here's the extra-rugged construction to stand up to the toughest plant environments. Complete IEC 309 interchangeability. And an easy-installing design that fits into most I-beams. Choose these 20 to 100 amp NEMA 4X and 12 watertight-rated Fusible Mechanical Interlocks for your most demanding applications.



FEATURES & BENEFITS

Compact design fits in most I-beams to provide mounting versatility, easy access, and reduced possibility of impact damage.

Captive, quick-release, stainless steel screws speed fuse removal, ensure a watertight access door seal, and won't fall out.

Patent-pending integral fuse pullers with easy-grip ergonomics make removing and replacing blown fuses simple, comfortable, and quick.



PS560FMIR5W

Hinged access door with windows allows for clear viewing of blown-fuse LED indicators and provides fast, easy access to fuse pullers.

Time-saving LED indicators identify blown fuses at a glance.

Heavy-duty, ergonomic switch handle meets OSHA Lockout/Tagout requirements and provides plenty of grip for sure, easy operation. Black/red color coding and high-visibility ON/OFF markings clearly indicate status from a distance and at any visual angle.

Nonconductive, watertight, corrosion and impact-resistant Valox® enclosure ensures NEMA 4X and 12 ratings to withstand the harshest industrial environments.

FIELD USES/VERTICAL MARKETS

- Food & Beverage
- Pulp & Paper Mills
- Mines
- Refrigeration
- Petrochemical
- Water/Waste Water
- Shipbuilding
- Temporary Power



PASS & SEYMOUR®

IEC 309 Industrial Products

Fusible Mechanical Interlock

ORDERING INFORMATION

FUSIBLE MECHANICAL INTERLOCK

POLES/WIRES	VOLTAGE	STANDARD HORSEPOWER RATING	MAXIMUM HORSEPOWER RATING	INTERLOCK RECEPTACLE CATALOG #	PIN & SLEEVE PLUG CATALOG #
20 AMPS					
3P4W	120/240VAC	1/4 HP @ 120VAC	1 HP @ 120VAC	PS420FMIR12W	PS420P12W
		1/2 HP @ 208VAC	2 HP @ 208VAC		
		1/2 HP @ 240VAC	2 HP @ 240VAC		
3P4W	3ø 240VAC	1 1/2 HP	5 HP	PS420FMIR9W	PS420P9W
3P4W	3ø 480VAC	3 HP	10 HP	PS420FMIR7W	PS420P7W
3P4W	3ø 600VAC	5 HP	15 HP	PS420FMIR5W	PS420P5W
30 AMPS					
2P3W	240VAC	1 HP @ 208VAC	3 HP @ 208VAC	PS330FMIR6W	PS330P6W
		1 1/2 HP @ 240VAC	3 HP @ 240VAC		
		1/2 HP @ 120VAC	2 HP @ 120VAC		
3P4W	120/240VAC	1 HP @ 208VAC	3 HP @ 208VAC	PS430FMIR12W	PS430P12W
		1 1/2 HP @ 240VAC	3 HP @ 240VAC		
3P4W	3ø 240VAC	3 HP	7 1/2 HP	PS430FMIR9W	PS430P9W
3P4W	3ø 480VAC	5 HP	15 HP	PS430FMIR7W	PS430P7W
3P4W	3ø 600VAC	7 1/2 HP	15 HP	PS430FMIR5W	PS430P5W
3P4W	380/440VAC	5 HP @ 380VAC	15 HP @ 380VAC	PS430FMIR3W	PS430P3W
		5 HP @ 440VAC	15 HP @ 440VAC		
4P5W	3øY 120/208VAC	2 HP	5 HP	PS530FMIR9W	PS530P9W
4P5W	3øY 277/480VAC	5 HP	15 HP	PS530FMIR7W	PS530P7W
60 AMPS					
2P3W	240VAC	3 HP @ 208VAC	7 1/2 HP @ 208VAC	PS360FMIR6W	PS360P6W
		3 HP @ 240VAC	7 1/2 HP @ 240VAC		
		1 1/2 HP @ 120VAC	3 HP @ 120VAC		
3P4W	120/240VAC	3 HP @ 208VAC	7 1/2 HP @ 208VAC	PS460FMIR12W	PS460P12W
		3 HP @ 240VAC	10 HP @ 240VAC		
3P4W	3ø 240VAC	5 HP	15 HP	PS460FMIR9W	PS460P9W
3P4W	3ø 480VAC	10 HP	30 HP	PS460FMIR7W	PS460P7W
3P4W	3ø 600VAC	15 HP	40 HP	PS460FMIR5W	PS460P5W
4P5W	3øY 120/208VAC	5 HP	15 HP	PS560FMIR9W	PS560P9W
4P5W	3øY 277/480VAC	10 HP	30 HP	PS560FMIR7W	PS560P7W
4P5W	3øY 347/600VAC	15 HP	40 HP	PS560FMIR5W	PS560P5W
100 AMPS					
3P4W	120/240VAC	2 HP @ 120VAC	5 HP @ 120VAC	PS4100FMIR12W	PS4100P12W
		5 HP @ 208VAC	10 HP @ 208VAC		
		5 HP @ 240VAC	15 HP @ 240VAC		
3P4W	3ø 240VAC	10 HP	25 HP	PS4100FMIR9W	PS4100P9W
3P4W	3ø 480VAC	20 HP	50 HP	PS4100FMIR7W	PS4100P7W
3P4W	3ø 600VAC	30 HP	50 HP	PS4100FMIR5W	PS4100P5W
4P5W	3øY 120/208VAC	10 HP	20 HP	PS5100FMIR9W	PS5100P9W
4P5W	3øY 277/480VAC	20 HP	50 HP	PS5100FMIR7W	PS5100P7W
4P5W	3øY 347/600VAC	30 HP	50 HP	PS5100FMIR5W	PS5100P5W

For more information on these and other P&S products refer to our Catalog or visit our web site.

PASS & SEYMOUR®

IEC 309 Industrial Products

Fusible Mechanical Interlock



TECHNICAL SPECIFICATIONS

3rd Party Compliance

CULus listed to per CSA specifications C22.2.
Meets NEC Article 430 as well as UL508 standards.

- Manufacturer's Identification: Pass & Seymour® PS560FMIR5W
- Description: Fusible Pin & Sleeve Mechanical Interlock
- Electrical Type: 3 Pole + Neutral + Earth
- Rating: 60A 3Ø 600VAC 15 HP standard, 50 HP maximum
- Configuration: IEC clock position 5
- Enclosure Type: NEMA 4X (watertight, hosedown), 12K (dusttight, falling dirt), IP67 suitability
- Conduit Location: Top or bottom feed. Unit shipped with no holes drilled; a top and bottom feed spot drill is provided for locating hole saw or knockout. End user decides at installation whether top or bottom feed is appropriate. No closure plug kits required.

MATERIALS

Enclosure Cover	Valox 357®
Enclosure Base	Valox 357®
Enclosure Door	Valox 357®
Enclosure Gasket	Neoprene
Door Hinge	316 Stainless Steel
Switch Handle	Valox 357®
Switch Handle Seal	Neoprene
Shaft	Brass
Gear Mechanism	1/8" Zinc-Plated Steel
Locktab	10% Glass-Filled Nylon
Switch Key	10% Glass-Filled Nylon
Mounting Feet	Valox 357®
Mounting Feet Screws	300 Series Stainless Steel
Enclosure Assembly Screws	300 Series Stainless Steel
Enclosure Assembly Inserts	Brass
Receptacle Lid	Valox 357®
Receptacle Gasketing	Neoprene
Receptacle Lid Hinge Spring	300 Series Stainless Steel
Receptacle Contact Carrier	Polyamide 6
Receptacle Sleeves	20-60 amp Brass/Nickel Plate 100 amp Brass/Silver Plate
Receptacle Terminal Screws	Zinc-Plated Steel
Grounding Plate	Zinc-Plated Steel
Cover Chain	300 Series Stainless Steel
Conduit Hub	Aluminum/Zinc
	20/30 amp shipped with one (1) 1"
	60 amp shipped with one (1) 1 1/4"
	100 amp shipped with one (1) 1 1/2" (will also fit a 2" hub, not provided)
Viewing Slots in Fuse-Access Door	1/8" thick glass lens

PERFORMANCE

Electrical:	
Fuse Type	Class "J"
Dielectric Voltage Withstand	3000V minimum
Maximum Working Voltage	600V RMS
Current Interrupting	Listed for current interrupting at full-rated current and voltage
Short Circuit Withstand Rating	For use on circuit capable of delivering not more than 10,000 RMS amps at receptacle voltage rating
Operations	Mechanical: 15,000 cycles Electrical: 10,000 cycles
Auxiliary Contacts	10A @ 600VAC 1 N.O. & 1 N.C.
Mechanical:	
Impact Resistance	Per UL746C
Terminal Identification	Per UL, CSA, and IEC specifications
Product Identification	Identification and rating on external and internal labels
Mounting	External adjustable feet with five (5) positions Can be mounted directly w/o channel or strut (no washers required)
Environmental:	
Moisture Resistance	Per UL50, section 35, NEMA Enclosure Type 4X (watertight, hosedown)
	Per UL50, section 35, NEMA Enclosure Type 12K (dusttight, falling dirt) IP67 suitability
Flammability	UL94 5VA and VO Classification
Operating Temperature	Maximum continuous: +60°C Minimum continuous: -50°C without impact
UV Resistance	All enclosure materials are UV stable

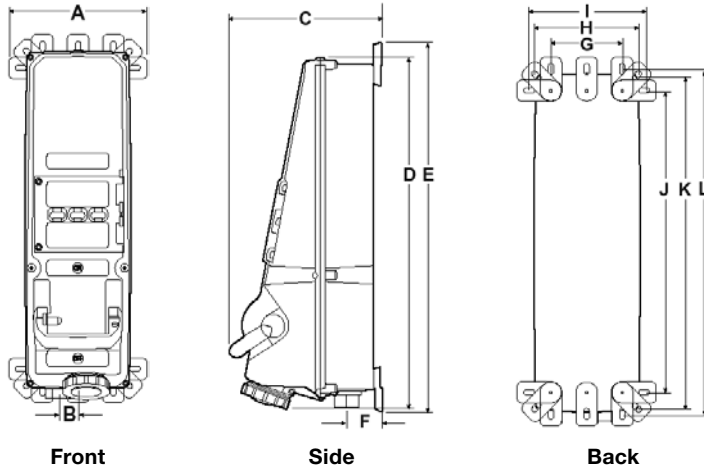
For more information on these and other P&S products refer to our Catalog or visit our web site.

TECHNICAL SPECIFICATIONS

FUSIBLE MECHANICAL INTERLOCK DIMENSIONS

Amps	A	B	C	D	E	F	G	H	I	J	K	L
20	9.13	1.19	10.09	23.34	24.50	1.97	4.75	6.88	7.75	20.13	22.25	23.13
3 & 4 Wire - 30	9.13	1.19	9.53	23.69	24.50	1.97	4.75	6.88	7.75	20.13	22.25	23.13
5 Wire - 30	9.13	1.19	9.53	23.78	24.50	1.97	4.75	6.88	7.75	20.13	22.25	23.13
60	9.13	1.19	9.94	24.59	24.50	2.25	4.75	6.88	7.75	20.13	22.25	23.13
100	11.13	1.75	11.06	27.94	28.31	2.41	6.75	8.88	9.75	23.94	26.06	26.94

All measurements shown in inches.



Warranty

1 Year

COO

US

ALSO AVAILABLE...

- Hospital Grade Devices
- PlugTail® Devices
- Ground Continuity Monitoring (GCM)
- Straight Blade Plugs & Connectors
- Turnlok® Locking Devices
- IEC 309 Pin & Sleeve
- Watertight Devices
- Flexcor® Wire Mesh Grips



Electrical Wiring Systems

P.O. Box 4822
Syracuse, NY 13221-4822
Phone: 1.800.776.4035
www.legrand.us/passandseymour

570 Applewood Crescent
Vaughan, Ontario L4K 4B4
Phone: 905.738.9195
www.legrand.ca

See everything you're looking for in a Fusible Mechanical Interlock. Even if it's a blown fuse.

Here's the extra-rugged construction to stand up to the toughest plant environments. Complete IEC 309 interchangeability. And an easy-installing design that fits into most I-beams. Choose these 20 to 100 amp NEMA 4X and 12 watertight-rated Fusible Mechanical Interlocks for your most demanding applications.



FEATURES & BENEFITS

Compact design fits in most I-beams to provide mounting versatility, easy access, and reduced possibility of impact damage.

Captive, quick-release, stainless steel screws speed fuse removal, ensure a watertight access door seal, and won't fall out.

Patent-pending integral fuse pullers with easy-grip ergonomics make removing and replacing blown fuses simple, comfortable, and quick.



PS560FMIR5W

Hinged access door with windows allows for clear viewing of blown-fuse LED indicators and provides fast, easy access to fuse pullers.

Time-saving LED indicators identify blown fuses at a glance.

Heavy-duty, ergonomic switch handle meets OSHA Lockout/Tagout requirements and provides plenty of grip for sure, easy operation. Black/red color coding and high-visibility ON/OFF markings clearly indicate status from a distance and at any visual angle.

Nonconductive, watertight, corrosion and impact-resistant Valox® enclosure ensures NEMA 4X and 12 ratings to withstand the harshest industrial environments.

FIELD USES/VERTICAL MARKETS

- Food & Beverage
- Pulp & Paper Mills
- Mines
- Refrigeration
- Petrochemical
- Water/Waste Water
- Shipbuilding
- Temporary Power



PASS & SEYMOUR®

IEC 309 Industrial Products

Fusible Mechanical Interlock

ORDERING INFORMATION

FUSIBLE MECHANICAL INTERLOCK

POLES/WIRES	VOLTAGE	STANDARD HORSEPOWER RATING	MAXIMUM HORSEPOWER RATING	INTERLOCK RECEPTACLE CATALOG #	PIN & SLEEVE PLUG CATALOG #
20 AMPS					
3P4W	120/240VAC	1/4 HP @ 120VAC	1 HP @ 120VAC	PS420FMIR12W	PS420P12W
		1/2 HP @ 208VAC	2 HP @ 208VAC		
		1/2 HP @ 240VAC	2 HP @ 240VAC		
3P4W	3ø 240VAC	1 1/2 HP	5 HP	PS420FMIR9W	PS420P9W
3P4W	3ø 480VAC	3 HP	10 HP	PS420FMIR7W	PS420P7W
3P4W	3ø 600VAC	5 HP	15 HP	PS420FMIR5W	PS420P5W
30 AMPS					
2P3W	240VAC	1 HP @ 208VAC	3 HP @ 208VAC	PS330FMIR6W	PS330P6W
		1 1/2 HP @ 240VAC	3 HP @ 240VAC		
		1/2 HP @ 120VAC	2 HP @ 120VAC		
3P4W	120/240VAC	1 HP @ 208VAC	3 HP @ 208VAC	PS430FMIR12W	PS430P12W
		1 1/2 HP @ 240VAC	3 HP @ 240VAC		
3P4W	3ø 240VAC	3 HP	7 1/2 HP	PS430FMIR9W	PS430P9W
3P4W	3ø 480VAC	5 HP	15 HP	PS430FMIR7W	PS430P7W
3P4W	3ø 600VAC	7 1/2 HP	15 HP	PS430FMIR5W	PS430P5W
3P4W	380/440VAC	5 HP @ 380VAC	15 HP @ 380VAC	PS430FMIR3W	PS430P3W
		5 HP @ 440VAC	15 HP @ 440VAC		
4P5W	3øY 120/208VAC	2 HP	5 HP	PS530FMIR9W	PS530P9W
4P5W	3øY 277/480VAC	5 HP	15 HP	PS530FMIR7W	PS530P7W
60 AMPS					
2P3W	240VAC	3 HP @ 208VAC	7 1/2 HP @ 208VAC	PS360FMIR6W	PS360P6W
		3 HP @ 240VAC	7 1/2 HP @ 240VAC		
		1 1/2 HP @ 120VAC	3 HP @ 120VAC		
3P4W	120/240VAC	3 HP @ 208VAC	7 1/2 HP @ 208VAC	PS460FMIR12W	PS460P12W
		3 HP @ 240VAC	10 HP @ 240VAC		
3P4W	3ø 240VAC	5 HP	15 HP	PS460FMIR9W	PS460P9W
3P4W	3ø 480VAC	10 HP	30 HP	PS460FMIR7W	PS460P7W
3P4W	3ø 600VAC	15 HP	40 HP	PS460FMIR5W	PS460P5W
4P5W	3øY 120/208VAC	5 HP	15 HP	PS560FMIR9W	PS560P9W
4P5W	3øY 277/480VAC	10 HP	30 HP	PS560FMIR7W	PS560P7W
4P5W	3øY 347/600VAC	15 HP	40 HP	PS560FMIR5W	PS560P5W
100 AMPS					
3P4W	120/240VAC	2 HP @ 120VAC	5 HP @ 120VAC	PS4100FMIR12W	PS4100P12W
		5 HP @ 208VAC	10 HP @ 208VAC		
		5 HP @ 240VAC	15 HP @ 240VAC		
3P4W	3ø 240VAC	10 HP	25 HP	PS4100FMIR9W	PS4100P9W
3P4W	3ø 480VAC	20 HP	50 HP	PS4100FMIR7W	PS4100P7W
3P4W	3ø 600VAC	30 HP	50 HP	PS4100FMIR5W	PS4100P5W
4P5W	3øY 120/208VAC	10 HP	20 HP	PS5100FMIR9W	PS5100P9W
4P5W	3øY 277/480VAC	20 HP	50 HP	PS5100FMIR7W	PS5100P7W
4P5W	3øY 347/600VAC	30 HP	50 HP	PS5100FMIR5W	PS5100P5W

For more information on these and other P&S products refer to our Catalog or visit our web site.

PASS & SEYMOUR®

IEC 309 Industrial Products

Fusible Mechanical Interlock



TECHNICAL SPECIFICATIONS

3rd Party Compliance

CULus listed to per CSA specifications C22.2.
Meets NEC Article 430 as well as UL508 standards.

- Manufacturer's Identification: Pass & Seymour® PS560FMIR5W
- Description: Fusible Pin & Sleeve Mechanical Interlock
- Electrical Type: 3 Pole + Neutral + Earth
- Rating: 60A 3Ø 600VAC 15 HP standard, 50 HP maximum
- Configuration: IEC clock position 5
- Enclosure Type: NEMA 4X (watertight, hosedown), 12K (dusttight, falling dirt), IP67 suitability
- Conduit Location: Top or bottom feed. Unit shipped with no holes drilled; a top and bottom feed spot drill is provided for locating hole saw or knockout. End user decides at installation whether top or bottom feed is appropriate. No closure plug kits required.

MATERIALS

Enclosure Cover	Valox 357®
Enclosure Base	Valox 357®
Enclosure Door	Valox 357®
Enclosure Gasket	Neoprene
Door Hinge	316 Stainless Steel
Switch Handle	Valox 357®
Switch Handle Seal	Neoprene
Shaft	Brass
Gear Mechanism	1/8" Zinc-Plated Steel
Locktab	10% Glass-Filled Nylon
Switch Key	10% Glass-Filled Nylon
Mounting Feet	Valox 357®
Mounting Feet Screws	300 Series Stainless Steel
Enclosure Assembly Screws	300 Series Stainless Steel
Enclosure Assembly Inserts	Brass
Receptacle Lid	Valox 357®
Receptacle Gasketing	Neoprene
Receptacle Lid Hinge Spring	300 Series Stainless Steel
Receptacle Contact Carrier	Polyamide 6
Receptacle Sleeves	20-60 amp Brass/Nickel Plate 100 amp Brass/Silver Plate
Receptacle Terminal Screws	Zinc-Plated Steel
Grounding Plate	Zinc-Plated Steel
Cover Chain	300 Series Stainless Steel
Conduit Hub	Aluminum/Zinc
	20/30 amp shipped with one (1) 1"
	60 amp shipped with one (1) 1 1/4"
	100 amp shipped with one (1) 1 1/2" (will also fit a 2" hub, not provided)
Viewing Slots in Fuse-Access Door	1/8" thick glass lens

PERFORMANCE

Electrical:	
Fuse Type	Class "J"
Dielectric Voltage Withstand	3000V minimum
Maximum Working Voltage	600V RMS
Current Interrupting	Listed for current interrupting at full-rated current and voltage
Short Circuit Withstand Rating	For use on circuit capable of delivering not more than 10,000 RMS amps at receptacle voltage rating
Operations	Mechanical: 15,000 cycles Electrical: 10,000 cycles
Auxiliary Contacts	10A @ 600VAC 1 N.O. & 1 N.C.
Mechanical:	
Impact Resistance	Per UL746C
Terminal Identification	Per UL, CSA, and IEC specifications
Product Identification	Identification and rating on external and internal labels
Mounting	External adjustable feet with five (5) positions Can be mounted directly wto channel or strut (no washers required)
Environmental:	
Moisture Resistance	Per UL50, section 35, NEMA Enclosure Type 4X (watertight, hosedown)
	Per UL50, section 35, NEMA Enclosure Type 12K (dusttight, falling dirt) IP67 suitability
Flammability	UL94 5VA and VO Classification
Operating Temperature	Maximum continuous: +60°C Minimum continuous: -50°C without impact
UV Resistance	All enclosure materials are UV stable

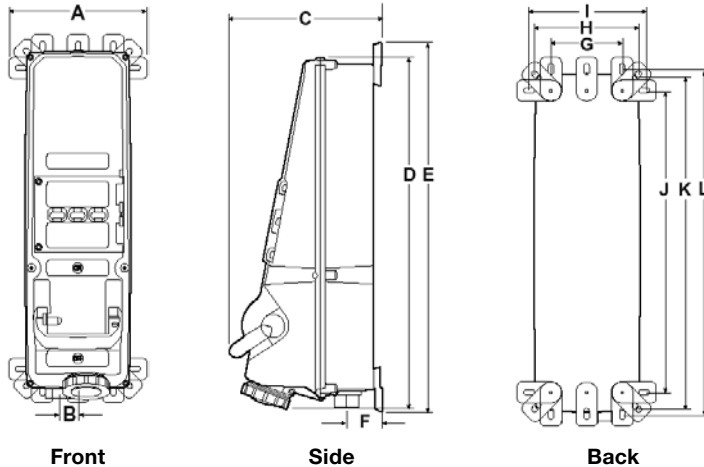
For more information on these and other P&S products refer to our Catalog or visit our web site.

TECHNICAL SPECIFICATIONS

FUSIBLE MECHANICAL INTERLOCK DIMENSIONS

Amps	A	B	C	D	E	F	G	H	I	J	K	L
20	9.13	1.19	10.09	23.34	24.50	1.97	4.75	6.88	7.75	20.13	22.25	23.13
3 & 4 Wire - 30	9.13	1.19	9.53	23.69	24.50	1.97	4.75	6.88	7.75	20.13	22.25	23.13
5 Wire - 30	9.13	1.19	9.53	23.78	24.50	1.97	4.75	6.88	7.75	20.13	22.25	23.13
60	9.13	1.19	9.94	24.59	24.50	2.25	4.75	6.88	7.75	20.13	22.25	23.13
100	11.13	1.75	11.06	27.94	28.31	2.41	6.75	8.88	9.75	23.94	26.06	26.94

All measurements shown in inches.



Warranty

1 Year

COO

US

ALSO AVAILABLE...

- | | | | |
|--------------------------|--------------------------------------|----------------------------|----------------------------|
| ■ Hospital Grade Devices | ■ Ground Continuity Monitoring (GCM) | ■ Turnlok® Locking Devices | ■ Watertight Devices |
| ■ PlugTail® Devices | ■ Straight Blade Plugs & Connectors | ■ IEC 309 Pin & Sleeve | ■ Flexcor® Wire Mesh Grips |



Electrical Wiring Systems

P.O. Box 4822
Syracuse, NY 13221-4822
Phone: 1.800.776.4035
www.legrand.us/passandseymour

570 Applewood Crescent
Vaughan, Ontario L4K 4B4
Phone: 905.738.9195
www.legrand.ca