

FITTINGS

PCC/ECC/RACC SERIES



CONDUIT CLAMPS



PARALLEL TYPE



EDGE TYPE



RIGHT ANGLE TYPE

CSPI Listed - File E213669

FEATURES-SPECIFICATIONS

Applications

- Designed to secure rigid metal conduit, IMC or EMT across, parallel or perpendicular to channel, beam and angle supports.

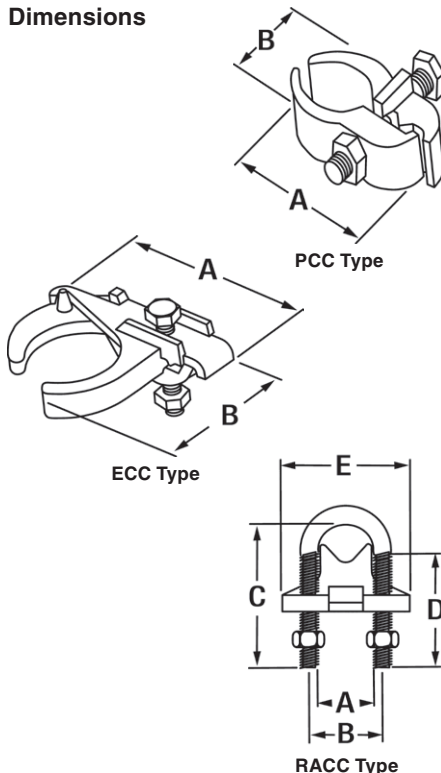
Features

- Three styles meet every installation need
- Heavy duty U-bolts, hex bolts and hex nuts
- Capable of supporting heavy loads

Material/Finish

- Malleable iron (hot dipped galvanized) with steel U-bolts and nuts (mechanically galvanized).

Dimensions



PCC PARALLEL TYPE CLAMPS			
CATALOG NUMBER	CONDUIT SIZE	A	B
PCC050	1/2"	2-7/8" (73)	1-7/16" (36)
PCC075	3/4"	3-1/16" (78)	1-11/16" (43)
PCC100	1"	3-1/4" (83)	2" (51)
PCC125	1-1/4"	3-5/8" (92)	2-1/8" (53)
PCC150	1-1/2"	3-7/8" (98)	2-3/16" (56)
PCC200	2"	4-5/8" (117)	2-7/8" (73)
PCC250	2-1/2"	5-1/4" (133)	3-1/4" (83)
PCC300	3"	5-1/8" (149)	3-1/8" (98)
PCC350	3-1/2"	6-5/16" (160)	4-5/16" (110)
PCC400	4"	6-13/16" (173)	4-13/16" (122)

ECC EDGE TYPE CLAMPS			
CATALOG NUMBER	CONDUIT SIZE	A	B
ECC050	1/2"	2-13/16" (71)	2-1/8" (54)
ECC075	3/4"	2-15/16" (75)	2-3/8" (60)
ECC100	1"	3-1/16" (78)	2-5/8" (67)
ECC125	1-1/4"	3-1/16" (78)	3-1/16" (78)
ECC150	1-1/2"	3-15/16" (100)	3-1/4" (83)
ECC200	2"	4-1/2" (114)	4-1/16" (103)
ECC250	2-1/2"	5-1/8" (130)	4-5/8" (117)
ECC300	3"	5-3/4" (146)	5-1/4" (133)

RACC RIGHT ANGLE TYPE CLAMPS						
CATALOG NUMBER	CONDUIT SIZE	A	B	C	D	E
RACC050	1/2"	1" (25)	1-1/4" (32)	2-1/2" (64)	1-13/16" (46)	2-1/16" (52)
RACC075	3/4"	1-1/8" (29)	1-3/8" (35)	2-13/16" (72)	1-13/16" (46)	2-1/4" (57)
RACC100	1"	1-3/8" (35)	1-5/8" (41)	3-1/16" (78)	1-13/16" (46)	2-9/16" (65)
RACC125	1-1/4"	1-3/4" (44)	2" (51)	3-3/16" (81)	1-13/16" (46)	2-7/8" (73)
RACC150	1-1/2"	2" (51)	2-3/8" (60)	3-1/2" (89)	1-13/16" (46)	3-1/4" (83)
RACC200	2"	2-1/2" (64)	2-1/2" (64)	4-1/2" (114)	2-5/8" (67)	4-1/16" (103)
RACC250	2-1/2"	2-1/2" (64)	3" (76)	3-1/4" (83)	4-7/8" (124)	2-5/8" (67)
RACC300	3"	3-5/8" (92)	3-7/8" (98)	5-3/8" (137)	2-5/8" (67)	5-1/8" (130)
RACC350	3-1/2"	4-1/16" (103)	4-9/16" (116)	5-7/8" (149)	2-5/8" (67)	5-5/8" (143)
RACC400	4"	4-11/16" (119)	5-1/16" (129)	6-11/16" (170)	2-5/8" (67)	6-1/8" (156)