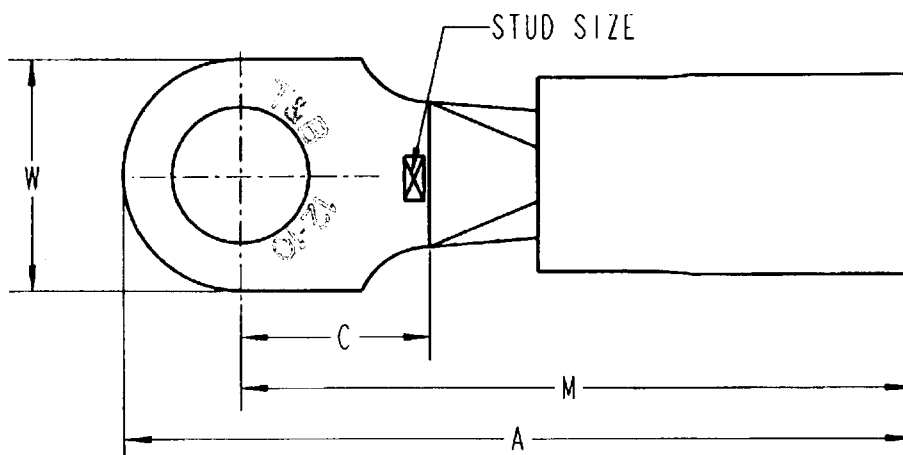




T&B Sta-Kon



MATERIAL: COPPER (.040 THICK)

FINISH: ELECTRO-TIN PLATE

WIRE RANGE: 12-10 AWG

STRIP LENGTH: 5/16" $\pm_{0}^{1/32}$

INSTALLING TOOLS: WT2000, WT145C, WT2130, WT112M, ERG-2001

CAT. NO*	DIST. CAT. NO*	STUD SIZE	A MAX.	W MAX.	C MIN.	M MAX.	MAX. WIRE INSUL. DIA.
RC333	RC10-6	6	1.00	.37	.27	.81	.210
RC334	RC10-6X	6	1.10	.37	.27	.91	.250
RC335	---	6	1.10	.37	.27	.91	.275
RC863	RC10-8	8	1.05	.37	.27	.81	.210
RC864	RC10-8X	8	1.10	.37	.27	.91	.250
RC865	---	8	1.10	.37	.27	.91	.275
RC363	RC10-10	10	1.00	.37	.27	.81	.210
RC364	RC10-10X	10	1.10	.37	.27	.91	.250
RC365	---	10	1.10	.37	.27	.91	.275
RC713	RC10-14	1/4	1.17	.53	.32	.86	.210
RC714	RC10-14X	1/4	1.22	.53	.32	.96	.250
RC715	---	1/4	1.22	.53	.32	.96	.275

ALL DIMENSIONS ARE APPROXIMATE, FOR REFERENCE ONLY.

*FOR NICKEL PLATED TERMINALS ADD NP SUFFIX TO CATALOG NUMBER.

GENERAL NOTES

- ALL DIMENSIONS ARE FOR REFERENCE ONLY.
- DIMENSIONS IN BRACKETS () ARE IN METRIC UNITS.

REVISIONS

- SEE ERN (2015187) FOR APPROVAL SIGNATURES & RELEASE DATE.
PROJECT NO: TM400023

Thomas & Betts

www.tnb.com

DESCRIPTION: **STA-KON RING TONGUE TERMINALS
NYLON SELF-INSULATED**

ORIGINAL PROJECT NO / (ERN NO)

TM401330 / (2008579)

SHEET NO:

1 OF 1

REV. NO:

1

DRAWING NO:

WSD-000269