



# ELLIOTT ELECTRIC SUPPLY

We Deliver...Lower Cost, Quality Products, & Personal Service

3804 South Street  
75964-7263, TX Nacogdoches  
Phone: 936-569-7941  
Fax: 936-560-4685



## RD717 RD717 8 Ring Term Bulk

*Thomas&Betts-Abb Ins Prod*

Catalog Number	RD717
Manufacturer	Thomas&Betts-Abb Ins Prod
Description	Ring Terminal, Insulated, Nylon Insulation Material, Copper Conductor Material, Red Insulation Color, 600 V Ac, 1.54 In Overall Length, 0.02 LB
Weight per unit	0.0200 (lbs/each)
Product Category	Small Terminals & Connectors

### Features

Material	COPPER
Wire Size	8 in

### Material, Color, and Finish

Color	RED
-------	-----

### Descriptions

Description	RD717 8 RING TERM BULK
-------------	------------------------

### Manufacturer Information

Brand	Sta-Kon
GTIN	00786210820613
UPC	786210820613

### Taxonomies, Classifications, and Categories

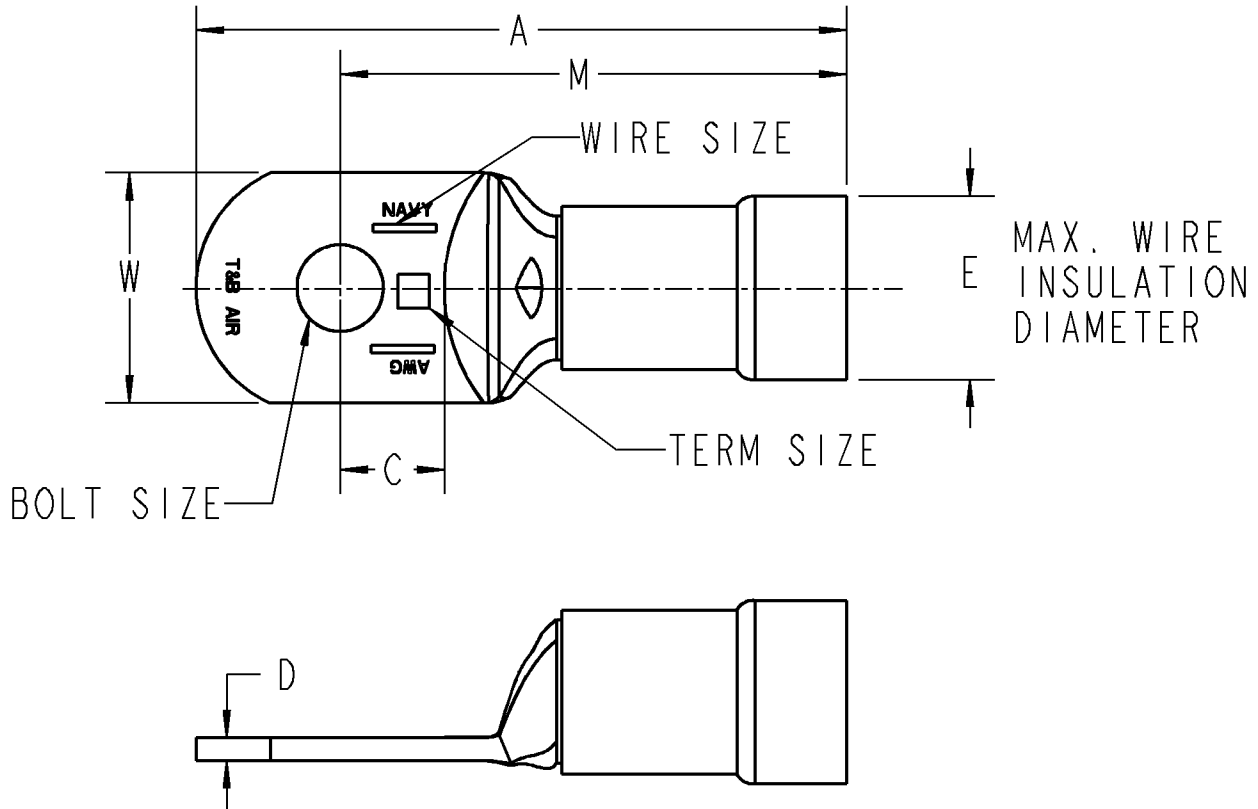
Category Description	STA-KON TYPE TERMINALS
Type	Ring Terminal

### Packaging

Carton	200
Package	2000
Weight Per each	0.02

### Uses, Certifications, and Standards


standard	UL E9809
----------	----------



ALL DIMENSIONS ARE APPROXIMATE, FOR REFERENCE ONLY.

NOTES:

- (1). TERMINAL: COPPER.
- (2). FINISH: ELECTRO TIN PLATE.
- (3). INSULATOR: NYLON, COLOR CODED.
- (4). \*BRAZED SEAM AND LOLLYPOP TONGUE.
- (5). CERTIFIED FOR 600V, 1000V IN SIGNS & FIXTURES
- (6). RATED FOR 105° MAX. TEMPERATURE

<b>GENERAL NOTES</b>		 <a href="http://www.tnb.com">www.tnb.com</a>			
1. ALL DIMENSIONS ARE FOR REFERENCE ONLY. 2. DIMENSIONS IN BRACKETS [ ] ARE IN METRIC UNITS.					
<b>REVISIONS</b>		<b>DESCRIPTION: STA-KON INSULATED TERMINALS, WIRE SIZES #8-250 MCM - CODE "D" THRU "M" COLOR CODE</b>			
1. SEE ERN ( 2007903 ) FOR APPROVAL SIGNATURES & RELEASE DATE. PROJECT NO: TM401341					
ORIGINAL PROJECT NO / ( ERN NO )		SHEET NO:	REV. NO:	DRAWING NO:	
TM401323 / ( 2006066 )		1 OF 2	1	WSD-000208	

BULK CAT** NO.	DIST CAT** NO.	WIRE SIZE	BOLT SIZE	E MAX.	A MAX.	C MIN.	D MAX.	M MAX.	W MAX.	COLOR CODE	INSTALLING TOOLS		
											13642M HYDRAULIC HEAD WITH DIE SET	TBM6, TBM6S HAND TOOLS, 25000 AIR TOOL WITH DIE SET	HAND TOOL
RD167	----	#8	#8	.34	1.48	.28	.08	1.29	.42	RED	21707M	11821	WT2130A
RD367	RD8-10		#10										
RD717	RD8-14		1/4										
RD727	RD8-516		5/16										
RD737	RD8-38		3/8										
*RD757	RD8-12		1/2										
RE267S	----	#6	#10	.42	1.65	.28	.08	1.42	.45	BLUE	21708M	11822	----
RE267	RE6-10	#6	#10	.42	1.65	.28	.08	1.42	.49	BLUE	21708M	11822	----
RE717	RE6-14		1/4										
RE727	RE6-516		5/16										
RE737	RE6-38		3/8										
*RE757	RE6-12		1/2										
RF267	RF4-10	#4	#10	.51	1.76	.36	.09	1.49	.56	YELLOW	21709M	11823	----
RF717	RF4-14		1/4										
RF727	RF4-516		5/16										
RF737	RF4-38		3/8										
*RF757	RF4-12		1/2										
RG267	RG2-10	#1-#2	#10	.59	2.18	.38	.11	1.83	.70	RED	21710M	11824	----
RG717	RG2-14		1/4										
RG727	RG2-516		5/16										
RG737	RG2-38		3/8										
RG757	RG2-12		1/2										
RH717	----	#1/0	1/4	.63	2.26	.48	.13	1.98	.77	CLEAR TO WHITE	21711M	11825	----
RH727	----		5/16										
RH737	----		3/8										
RH757	----		1/2										
RJ717	----	#2/0	1/4	.68	2.42	.48	.13	2.01	.84	BLUE	21712M	11826	----
RJ727	----		5/16										
RJ737	----		3/8										
RJ757	----		1/2										
RK717	----	#3/0	1/4	.75	2.61	.47	.13	2.15	.95	YELLOW	21713M	11827	----
RK727	----		5/16										
RK737	----		3/8										
RK757	----		1/2										
RL717	----	#4/0	1/4	.79	2.78	.15	.14	2.26	1.04	RED	21714M	11828	----
RL727	----		5/16										
RL737	----		3/8										
RL757	----		1/2										
RM717	----	250 MCM	1/4	.87	2.94	.57	.14	2.38	1.14	BLUE	21715M	11829	----
RM727	----		5/16										
RM737	----		3/8										
RM757	----		1/2										

\*\* FOR NICKEL PLATED TERMINALS ADD NP SUFFIX TO CATALOG NUMBER.

**Thomas & Betts**  
www.tnb.com

DESCRIPTION: **STA-KON INSULATED TERMINALS, WIRE SIZES #8-250 MCM - CODE "D" THRU "M" COLOR CODE**

SHEET NO:  
**2 OF 2**

REV. NO:  
**1**

DRAWING NO:  
**WSD-000208**