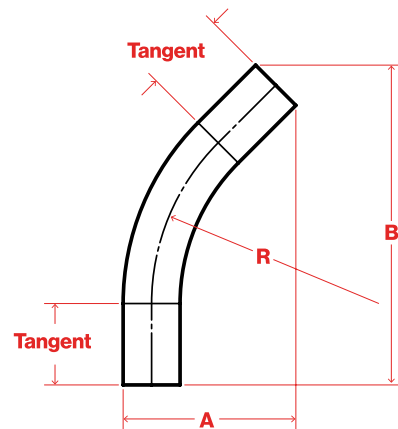




## Description

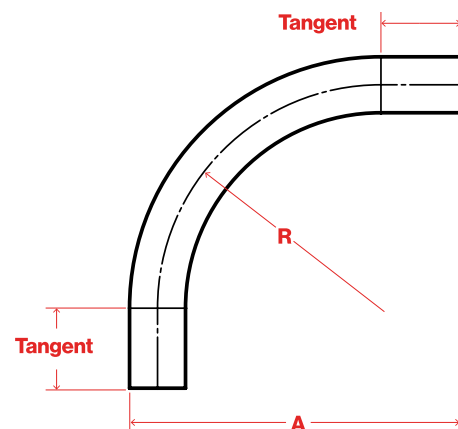
Robroy Stainless Steel elbows are designed to withstand harsh corrosive environments. Elbows are available in 304 or 316 and are used to aid in the changing of direction of a raceway.

*\*Can be used with both Traditional & Hygienic Systems*



## Standards

- cULus Listed
- UL 6A
- CSA C22.2 No. 45.2-08
- UL File Number: E98405



Hygienic

+ Stainless

Catalog No.	Description	Weight Each (lbs.)	Offset A (in.)	Offset B (in.)	Tangent (in.)	Radii (in.)	Bend (Degree)
RSREL304-050X45	Rigid Elbow 1/2 Inch 304 45 Degree	0.73	2.95	5.69	1.50	4.00	45
RSREL304-075X45	Rigid Elbow 3/4 Inch 304 45 Degree	1.05	3.13	6.11	1.50	4.50	45
RSREL304-100X45	Rigid Elbow 1 Inch 304 45 Degree	1.71	3.62	7.39	1.88	5.75	45
RSREL304-125X45	Rigid Elbow 1-1/4 Inch 304 45 Degree	2.51	4.00	9.13	2.00	7.25	45
RSREL304-150X45	Rigid Elbow 1-1/2 Inch 304 45 Degree	3.23	4.21	9.92	2.00	8.25	45
RSREL304-200X45	Rigid Elbow 2 Inch 304 45 Degree	5.44	4.61	10.97	2.00	9.50	45
RSREL304-250X45	Rigid Elbow 2-1/2 Inch 304 45 Degree	10.84	5.75	13.56	3.00	10.50	45
RSREL304-300X45	Rigid Elbow 3 Inch 304 45 Degree	14.82	6.37	15.77	3.13	13.00	45
RSREL304-400X45	Rigid Elbow 4 Inch 304 45 Degree	25.69	7.40	18.67	3.38	16.00	45
RSREL304-050X90	Rigid Elbow 1/2 Inch 304 90 Degree	0.84	5.92	n/a	1.50	4.00	90
RSREL304-075X90	Rigid Elbow 3/4 Inch 304 90 Degree	1.20	6.53	n/a	1.50	4.50	90
RSREL304-100X90	Rigid Elbow 1 Inch 304 90 Degree	2.10	8.28	n/a	1.88	5.75	90
RSREL304-125X90	Rigid Elbow 1-1/4 Inch 304 90 Degree	3.43	10.08	n/a	2.00	7.25	90
RSREL304-150X90	Rigid Elbow 1-1/2 Inch 304 90 Degree	4.56	11.20	n/a	2.00	8.25	90
RSREL304-200X90	Rigid Elbow 2 Inch 304 90 Degree	6.84	12.69	n/a	2.00	9.50	90
RSREL304-250X90	Rigid Elbow 2-1/2 Inch 304 90 Degree	14.04	14.94	n/a	3.00	10.50	90
RSREL304-300X90	Rigid Elbow 3 Inch 304 90 Degree	20.61	17.88	n/a	3.13	13.00	90
RSREL304-400X90	Rigid Elbow 4 Inch 304 90 Degree	36.24	22.30	n/a	3.38	16.00	90
RSREL316-050X45	Rigid Elbow 1/2 Inch 316 45 Degree	0.73	2.95	5.69	1.50	4.00	45
RSREL316-075X45	Rigid Elbow 3/4 Inch 316 45 Degree	1.05	3.13	6.11	1.50	4.50	45
RSREL316-100X45	Rigid Elbow 1 Inch 316 45 Degree	1.71	3.62	7.39	1.88	5.75	45
RSREL316-125X45	Rigid Elbow 1-1/4 Inch 316 45 Degree	2.51	4.00	9.13	2.00	7.25	45
RSREL316-150X45	Rigid Elbow 1-1/2 Inch 316 45 Degree	3.23	4.21	9.92	2.00	8.25	45
RSREL316-200X45	Rigid Elbow 2 Inch 316 45 Degree	5.44	4.61	10.97	2.00	9.50	45
RSREL316-250X45	Rigid Elbow 2-1/2 Inch 316 45 Degree	10.84	5.75	13.56	3.00	10.50	45
RSREL316-300X45	Rigid Elbow 3 Inch 316 45 Degree	14.82	6.37	15.77	3.13	13.00	45
RSREL316-400X45	Rigid Elbow 4 Inch 316 45 Degree	25.69	7.40	18.67	3.38	16.00	45
RSREL316-050X90	Rigid Elbow 1/2 Inch 316 90 Degree	0.84	5.92	n/a	1.50	4.00	90
RSREL316-075X90	Rigid Elbow 3/4 Inch 316 90 Degree	1.20	6.53	n/a	1.50	4.50	90
RSREL316-100X90	Rigid Elbow 1 Inch 316 90 Degree	2.10	8.28	n/a	1.88	5.75	90
RSREL316-125X90	Rigid Elbow 1-1/4 Inch 316 90 Degree	3.43	10.08	n/a	2.00	7.25	90
RSREL316-150X90	Rigid Elbow 1-1/2 Inch 316 90 Degree	4.56	11.20	n/a	2.00	8.25	90
RSREL316-200X90	Rigid Elbow 2 Inch 316 90 Degree	6.84	12.69	n/a	2.00	9.50	90
RSREL316-250X90	Rigid Elbow 2-1/2 Inch 316 90 Degree	14.04	14.94	n/a	3.00	10.50	90
RSREL316-300X90	Rigid Elbow 3 Inch 316 90 Degree	20.61	17.88	n/a	3.13	13.00	90
RSREL316-400X90	Rigid Elbow 4 Inch 316 90 Degree	36.24	22.30	n/a	3.38	16.00	90