



Mark 10 Powerline

MARK 10 POWERLINE ELE DIMMING BALLAST (3) F32T8 120V

For companies looking to make their fixed-output linear T8, 4-pin CFL, and T5/HO fluorescent systems more cost effective and sustainable, Mark 10 Powerline ballasts provide an easy solution without the need for additional control leads. Simply, (1) replace the ballast, (2) replace the switch, (3) dim the lights, that is all it takes. It's that easy to bring the convenience and flexibility of fluorescent dimming to conference rooms, private offices, auditoriums, architectural cove lighting – anywhere dimming is required.

Product data

General Information	
Lamp Type	F32T8
Number of Lamps	3 piece/unit
Ballast Type	Dimmable Fluorescent
Base Model	REZ3S32SC
Suitable For Outdoor Use	Yes
Automatic Restart	Yes
Operating and Electrical	
Input Voltage	120 V
Input Frequency	60 Hz
Total Harmonic Distortion USA	10 %
Ignition Method	Programmed Start
Crestfactor (Nom)	1.6
Ignition Time (Nom)	1.5 s
Ballast Factor (Max)	0.97
Ballast Factor (Min)	0.05
Power Factor (Nom)	0.99
Input Current (Nom)	0.8 A

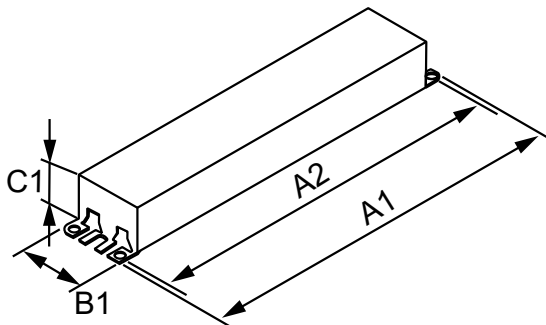
Input Power (Max)	96 W
Input Power (Min)	20 W
Rated Lamp Power	32 W
Wiring	
Color Input Terminals	No terminals
Color Output Terminals	No terminals
Wire Striplength	0.50/0.375 mm
Control Wire Gauge	NA
Lamp Connection	Series
Wire Length by Color	See data sheet
Wire Gauge (Nom)	18AWG mm
Wire Type	Solid
Remote Wiring Configuration Allowed	No
Tandem Wiring Configuration Allowed	No
Through Wiring Configuration Allowed	No
Max Ballast-Lamp Distance Remote Wiring	No Remote
Max Ballast-Lamp Distance Tandem Wiring	No Tandem
Max Ballast-Lamp Distance Through Wiring	No Through

Mark 10 Powerline

Connector Type	No connector
Temperature	
T-Case Maximum (Nom)	70 °C
Mechanical and Housing	
Housing Material	Metal
Housing	SC
Housing Dimensions	9.5" x 1.7" x 1.18"
Approval and Application	
EMC Immunity Standard	FCC Consumer
Approval Marks	CSA certificate UL certificate CEC Listing CEE Rated NEMA Premium RoHS Compliant

Hum And Noise Level	A
UL Recognized	No
Product Data	
Order product name	MARK 10 POWERLINE ELE DIMMING BALLAST (3) F32T8 120V
EAN/UPC - Product	781087106976
Order code	913710232101
Numerator - Quantity Per Pack	1
Numerator - Packs per outer box	10
Material Nr. (12NC)	913710232101
Net Weight (Piece)	0.468 kg

Dimensional drawing



ELE DIMMING BALLAST (3) F32T8 120V

Product	A1	A2	B1	C1
MARK 10 POWERLINE ELE DIMMING BALLAST (3) F32T8 120V	9.5 in	8.90 in	1.7 in	1.18 in

