

Your go-to floor box just got better. Resource RFB Series Floor Boxes are designed for maximum efficiency throughout an entire building, bringing versatile recessed activations for power and data services to open space areas or directly to workstations. No matter what size you choose, components and accessories work across the entire line interchangeably. Simply mix-and-match as needed for your project. Improved wire and cable routing makes wire pulling much easier in adjacent compartments and around corners. Available in 2-, 4-, 6- and 10-gang models with a variety of covers, colors and profiles.* Installs in tile, stone, carpet, terrazzo, wood and polished concrete. Perfect for many applications, including schools, financial institutions, commercial office buildings, hospitality and residential.

Features & Benefits

Allows for deeper pours

High visibility yellow

Height adjustment up to 4 inches

Specifications

General Info

Product Line	Wiremold	Color	Yellow
UPC Number	786564105541	Country Of Origin	United States
Material	Plastic	Application Sector	Commercial
Standard	cULus Listed Metallic Outlet Boxes: File E2961 Guide QCIT Meets Article 314.27(C) of NEC.	Warranty Type	1-Year from Installation or 2-Years from Day of Sale
Type	Accessory		

Dimensions

Product Width US	7.25 in	Product Weight US	0.92 lb
------------------	---------	-------------------	---------

Product Height US	4.625 in	Product Length US	7.5 in
-------------------	----------	-------------------	--------

Listing Agencies / 3rd Party Agencies

cULus ListingNumber	E2961	cULus Listed	Yes
---------------------	-------	--------------	-----

Trade Programs

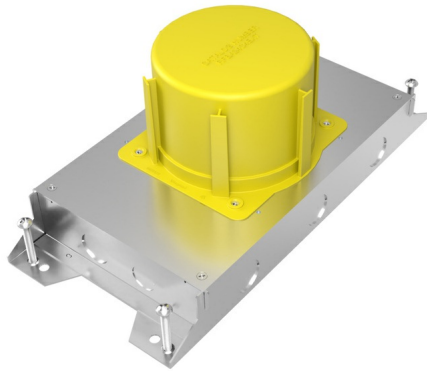
USMCA	Yes
-------	-----

Additional Information

RoHS Compliant	Yes	Product Has Potential to Contribute to LEED	Yes
----------------	-----	---	-----

Technical Information

Indoor/Outdoor	Indoor
----------------	--------



Your go-to floor box just got better. Resource RFB Series Floor Boxes are designed for maximum efficiency throughout an entire building, bringing versatile recessed activations for power and data services to open space areas or directly to workstations. No matter what size you choose, components and accessories work across the entire line interchangeably. Simply mix-and-match as needed for your project. Improved wire and cable routing makes wire pulling much easier in adjacent compartments and around corners. Available in 2-, 4-, 6- and 10-gang models with a variety of covers, colors and profiles.* Installs in tile, stone, carpet, terrazzo, wood and polished concrete. Perfect for many applications, including schools, financial institutions, commercial office buildings, hospitality and residential.

Features & Benefits

Allows for deeper pours

High visibility yellow

Height adjustment up to 4 inches

Specifications

General Info

Product Line	Wiremold	Color	Yellow
UPC Number	786564105541	Country Of Origin	United States
Material	Plastic	Application Sector	Commercial
Standard	cULus Listed Metallic Outlet Boxes: File E2961 Guide QCIT Meets Article 314.27(C) of NEC.	Warranty Type	1-Year from Installation or 2-Years from Day of Sale
Type	Accessory		

Dimensions

Product Width US	7.25 in	Product Weight US	0.92 lb
------------------	---------	-------------------	---------

Product Height US	4.625 in	Product Length US	7.5 in
-------------------	----------	-------------------	--------

Listing Agencies / 3rd Party Agencies

cULus ListingNumber	E2961	cULus Listed	Yes
---------------------	-------	--------------	-----

Trade Programs

USMCA	Yes
-------	-----

Additional Information

RoHS Compliant	Yes	Product Has Potential to Contribute to LEED	Yes
----------------	-----	---	-----

Technical Information

Indoor/Outdoor	Indoor
----------------	--------
