



# KT-RHLED150-12C-8XX-VDIM-P

## ROUND LED HIGH BAY FIXTURE

### DESCRIPTION

Compact Round LED High Bay Fixture | Wet Location Rated

### APPLICATION

Used for commercial and industrial high bay lighting applications



### PRODUCT FEATURES

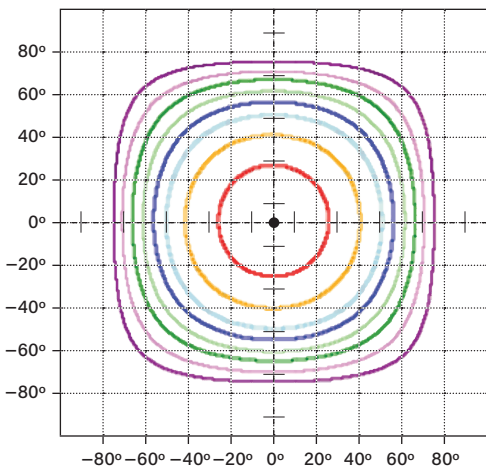
- IP65 rated, wet location
- Powered by Keystone 0–10V dimming LED driver
- Ambient operating temperature: –40°C/ –40°F to 45°C/113°F
- LED lifetime: L70 >100,000 hours @ 25°C fixture ambient
- Ring bolt mounting accessory included with safety hanging kit
- 0–10V dimming, 10% minimum
- THD: < 20%
- 6' cord for input and dimming wires
- Powder-coated aluminum housing; Polycarbonate lens
- Low optical flicker
- Built-in 4kV surge protection

### PERFORMANCE SPECIFICATIONS

Catalog Number	Input Voltage	Wattage	Color Temperature	Lumen Output	CRI	Power Factor	Efficacy	Beam Angle
KT-RHLED150-12C-840-VDIM-P	120-277V	150W	4000K	19,700 lm	> 82.0	> 0.92	131 lm/W	110°
KT-RHLED150-12C-850-VDIM-P	120-277V	150W	5000K	20,000 lm	> 82.0	> 0.92	133 lm/W	110°

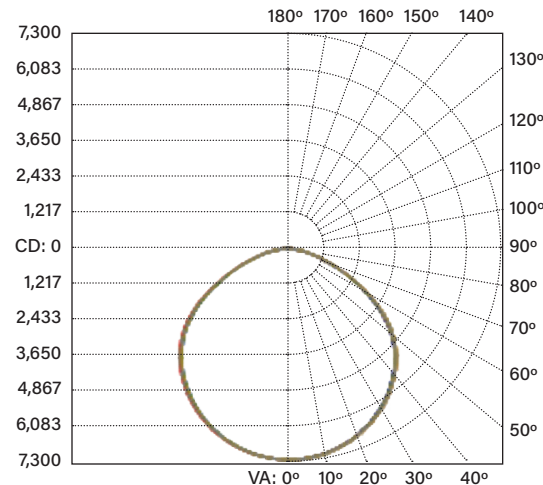
### PHOTOMETRIC SPECIFICATIONS

#### ISOCANDELA PLOT



- Cd: 6,476, 90%
  - Cd: 5,396, 75%
  - Cd: 4,317, 60%
  - Cd: 3,598, 50%
  - Cd: 2,878, 40%
  - Cd: 2,159, 30%
  - Cd: 1,439, 20%
  - Cd: 720, 10%
- Point of Max Cd: 7,201.5

#### POLAR CANDELA DISTRIBUTION



- 0° H
- 90° H
- 22.5° H
- 45° H
- 67.5° H

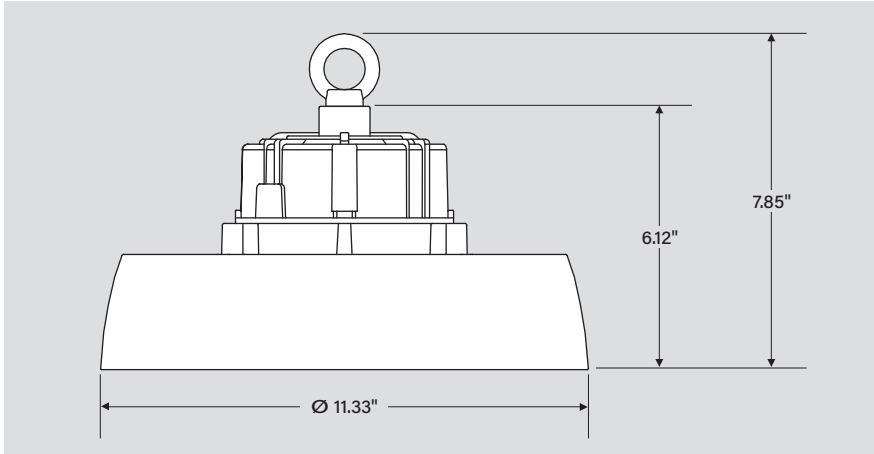
#### ZONAL LUMEN SUMMARY

Zone	Lumens	% Luminaire
0–30	5,672.4	28.7%
0–40	9,387.5	47.6%
0–60	16,704.7	84.6%
60–90	2,975.0	15.1%
70–100	757.1	3.8%
90–120	17.0	0.1%
0–90	19,679.7	99.7%
90–180	62.2	0.3%
0–180	19,742.0	100%

# KT-RHLED150-12C-8XX-VDIM-P

## ROUND LED HIGH BAY FIXTURE

### PHYSICAL SPECIFICATIONS



### ACCESSORIES (SOLD SEPARATELY)

Catalog Number	Description
KT-RHLED-AR90-2	Aluminum Dome Reflector for 150W, 90° beam angle
KT-RHLED-JBOX-PM	J-Box optimized for pole pendant application
KT-RHLED-SM-2-KIT	Steel Surface Mount Kit; includes mounting hardware
KT-RHLED-WG-2-KIT	Thick steel wire; premium black powdercoat construction; includes mounting hardware
KTS-MW2-12V-WL /A	High Bay Microwave Occupancy Sensor for use with Round High Bay Gen1 fixtures
KTS-MW2-12V-WL /B	High Bay Microwave Occupancy Sensor for use with Round High Bay Gen1 fixtures

### ORDERING INFORMATION

Order Code	Packaging Style	Pack Quantity	Item Status
KT-RHLED150-12C-840-VDIM-P	Carton Pack	1	Active
KT-RHLED150-12C-850-VDIM-P	Carton Pack	1	Active

### CATALOG NUMBER BREAKDOWN

# KT-RHLED150-12C-8XX-VDIM-P

1 2 3 4 5 6 7 8

- 1 Keystone Technologies
- 2 Round LED High Bay
- 3 Wattage
- 4 12" Diameter
- 5 80 CRI
- 6 Color Temperature
- 7 0-10 Dimming
- 8 Premium Series