

KT-RHLED200PS-14C-8CSB-VDIM-P

ROUND LED HIGH BAY FIXTURE

DESCRIPTION

Compact Round LED High Bay Fixture | Wet Location Rated

APPLICATION

Used for commercial and industrial high bay lighting applications



PRODUCT FEATURES

- Features Keystone Power Select technology. Adjust power between 200W, 150W, or 100W
- Features Keystone Color Select technology. Adjust CCT between 3000/4000/5000K
- Designed to accept easy screw-in installation of optional sensors
- Powered by Keystone 0-10V dimming LED driver
- Ring-bolt mounting accessory included
- 6' cord for input and dimming wires
- Powder-coated aluminum housing; Polycarbonate lens
- Ribbed lens to reduce glare
- Low optical flicker
- Built-in 6kV surge protection
- LED lifetime: L70 >100,000 hours @ 25°C fixture ambient
- Ambient operating temperature: -40°C/-40°F to 50°C/122°F
- IP65 rated, wet location
- Listed on QPL DLC, Premium

PERFORMANCE SPECIFICATIONS

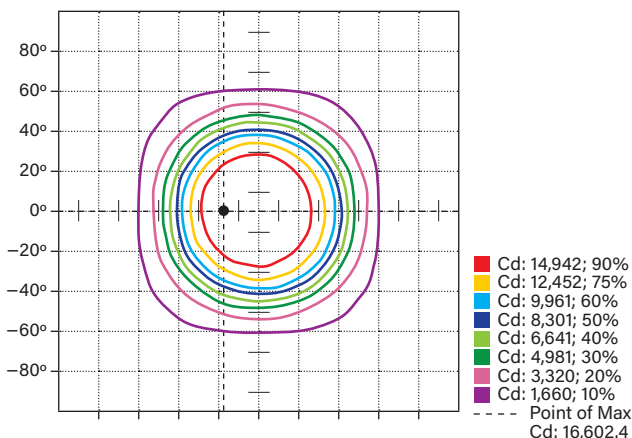
Catalog Number	Input Voltage	Wattage	Color Temperature	Lumen Output	Efficacy	Rated Life	CRI	Power Factor
KT-RHLED200PS-14C-8CSB-VDIM-P	120-277V	200W	3000K	28,400	142 lm/W	50,000 hrs	> 80	> 0.9
			4000K	33,000	165 lm/W			
			5000K	31,200	156 lm/W			
		150W	3000K	21,450	143 lm/W			
			4000K	24,750	165 lm/W			
			5000K	24,150	161 lm/W			
		100W	3000K	14,800	148 lm/W			
			4000K	16,500	165 lm/W			
			5000K	16,300	163 lm/W			

Note: Preset to highest lumen output (200W / 5000K)

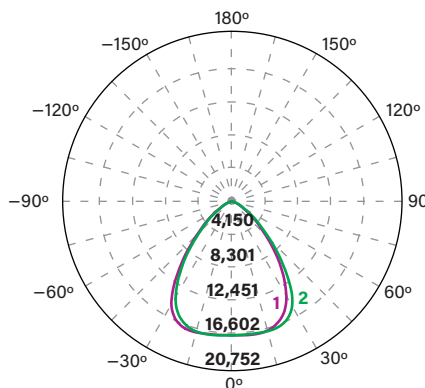
Note: Color uniformity: CCT (Correlated Color Temperature) range as per guidelines outlined in ANSI C78.377-2017

PHOTOMETRIC SPECIFICATIONS

ISOCANDELA PLOT

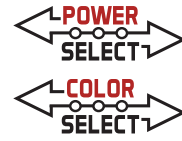


POLAR CANDELA DISTRIBUTION



ZONAL LUMEN SUMMARY

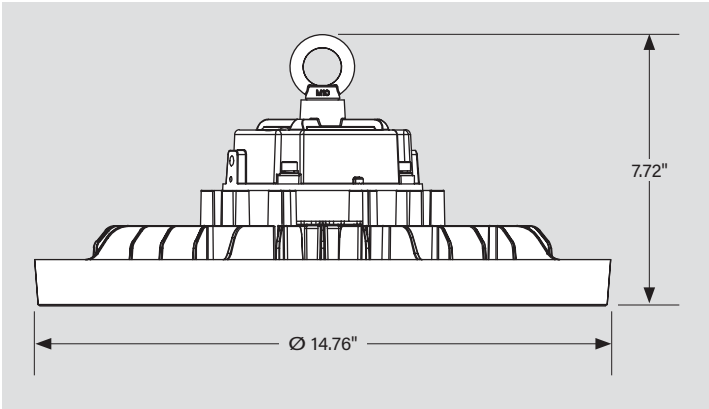
Zone	Lumens	% Luminaire
0-30	13,328.7	44.2%
0-40	20,615.9	68.4%
0-60	28,188.7	93.6%
60-90	1,897.0	6.3%
0-90	30,130.9	100%



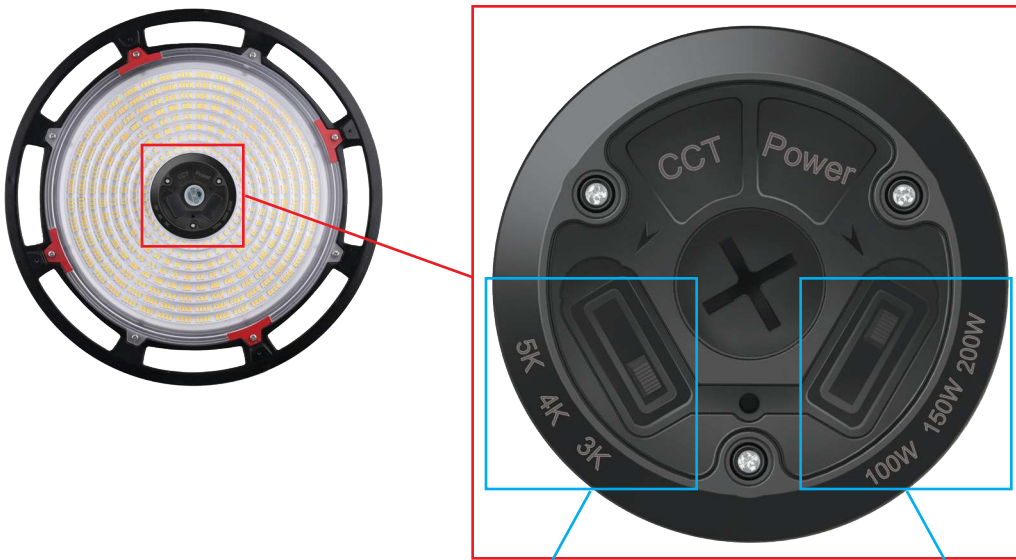
KT-RHLED200PS-14C-8CSB-VDIM-P

ROUND LED HIGH BAY FIXTURE

PHYSICAL SPECIFICATIONS

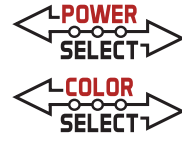


POWER SELECTION AND COLOR TEMPERATURE SELECTION CAPABILITY



KEYSTONE COLOR SELECT TECHNOLOGY
Adjust CCT between 3000K, 4000K, or 5000K

KEYSTONE POWER SELECT TECHNOLOGY
Adjust power between 200W, 150W, or 100W

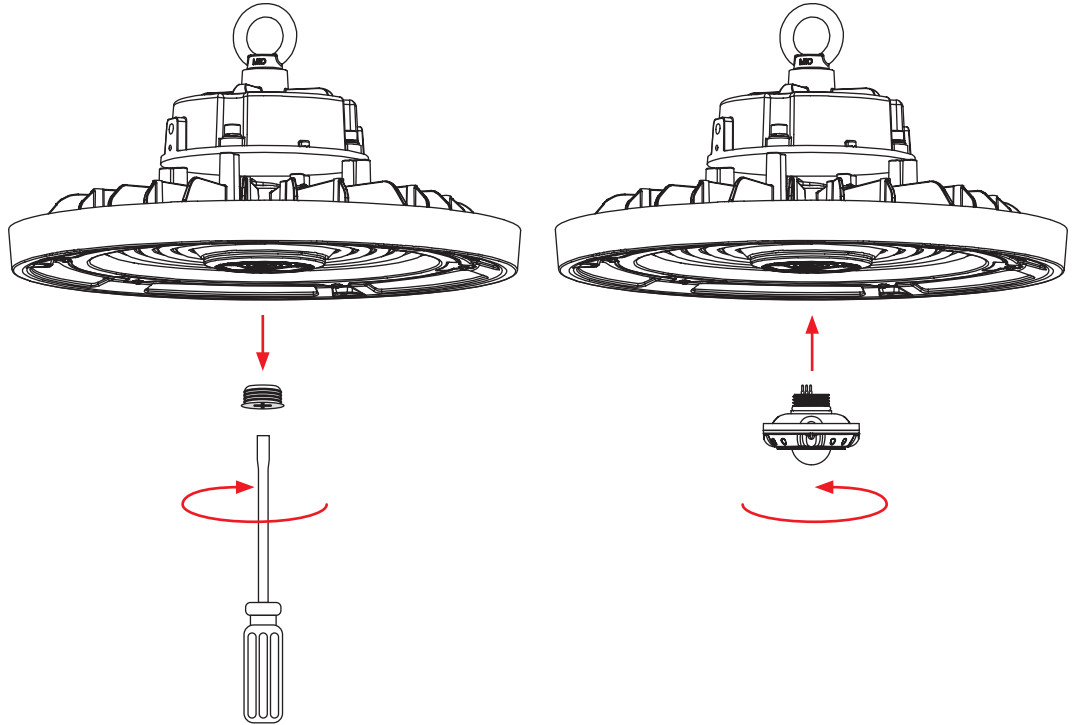


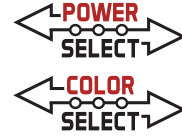
KT-RHLED200PS-14C-8CSB-VDIM-P

ROUND LED HIGH BAY FIXTURE

QUICK-INSTALL

1. Ensure power is off to the fixture.
2. Remove 1/2" knock-out (KO) plug.
3. Screw in sensor head.
(see illustrations)
4. Re-connect power when ready.
5. Program desired settings as needed with Keystone Remote Control.






KT-RHLED200PS-14C-8CSB-VDIM-P

ROUND LED HIGH BAY FIXTURE

ACCESSORIES (continued)

SENSORS

Factory-Installable OR Field-Installable (field-installable purchased separately)

✓	SUFFIX*	CATALOG NUMBER	DESCRIPTION	UPC	EASY CODE
	/FC3	KTSL-FC3-12V-PKO-PIR	Bluetooth mesh screw-in PIR occupancy sensor with built-in fixture controller for SmartLoop system 	843654138862	OCW-60
	/PIR-A	KTS-PIR3-12V-PKO /A	Screw-in PIR sensor, preset for 1 min hold time, 3 min standby time at 30% dim, daylight disabled	843654133638	RXQ-30
	/PIR-B	KTS-PIR3-12V-PKO /B	Screw-in PIR sensor, preset for 5 min hold time, 10 min standby time at 10% dim, daylight disabled	843654133645	LEF-34
	/MW3-A	KTS-MW3-12V-PKO /A	Screw-in microwave sensor, preset for 1 min hold time, 3 min standby time at 30% dim, daylight disabled	843654133317	XYR-25
	/MW3-B	KTS-MW3-12V-PKO /B	Screw-in microwave sensor, preset for 5 min hold time, 10 min standby time at 10% dim, daylight disabled	843654133324	SPF-37

* For factory installation of accessory, add suffix to fixture part number (see ordering examples and instructions on last page of spec sheet).



Field-Installable / Field-Use ONLY (purchased separately)

CATALOG NUMBER	DESCRIPTION	UPC	EASY CODE
KTS-MW3-REMOTECONTROL	Remote control for KTS-MW3-12V-PKO /A or /B and KTS-PIR3-12V-PKO /A or /B sensors, used to set and adjust all sensor settings	843654132020	XSR-61

CORD SETS & PLUGS

Factory-Installable OR Field-Installable (field-installable purchased separately)

✓	SUFFIX*	CATALOG NUMBER	DESCRIPTION	UPC	EASY CODE
	/L515P	KT-P-L515P	125V NEMA L5-15P twist lock plug	843654123486	GEW-06
	/L615P	KT-P-L615P	250V NEMA L6-15P twist lock plug	843654138619	VPX-09
	/L715P	KT-P-L715P	277V NEMA L7-15P twist lock plug	843654123493	ETV-78

* For factory installation of accessory, add suffix to fixture part number (see ordering examples and instructions on last page of spec sheet).
 † Note: For cord sets not listed here, please contact your Keystone sales rep.

EMERGENCY BACKUP

Factory-Installable OR Field-Installable (field-installable purchased separately)

✓	SUFFIX*	CATALOG NUMBER	DESCRIPTION	UPC	EASY CODE
	/EM	KT-EMRG-LED-40SD-5000-CEN /SF	One Piece 40W Constant Wattage Design with Self Diagnostics. Approx 5000 lumens, Single Flex Cable with Included J-Box, 120-277V Input. CEC T20 Compliant.	843654144320	UGW-62

* For factory installation of accessory, add suffix to fixture part number (see ordering examples and instructions on last page of spec sheet).
 † Factory installation of emergency backup units will automatically include any relevant mounting bracket.

(Accessories continued on next page)

KT-RHLED200PS-14C-8CSB-VDIM-P

ROUND LED HIGH BAY FIXTURE

ACCESSORIES (continued)

MOUNTS AND BRACKETS

Factory-Installable OR Field-Installable (field-installable purchased separately)

✓	SUFFIX*	CATALOG NUMBER	DESCRIPTION	UPC	EASY CODE
	/WG	KT-RHLED-WG-2-KIT /G2	Thick steel wire guard, premium powdercoat construction, includes mounting hardware, fits all "14C" sized high bay fixtures	843654133270	PHU-26



* For factory installation of accessory, add suffix to fixture part number (see ordering examples and instructions on last page of spec sheet).

Field-Installable / Field-Use ONLY (purchased separately)

CATALOG NUMBER	DESCRIPTION	UPC	EASY CODE
KT-RHLED-SM-2-KIT /G2	Steel surface mount kit, includes mounting hardware, fits all "14C" sized high bay fixtures	843654133256	BLT-11
KT-RHLED-JBOX-PM /G2	J-Box, optimized for pole pendant and step down transformer applications, fits all round LED high bay fixtures	843654133300	RAQ-94
KT-RHLED-AR90-2-KIT /G2	Aluminum dome reflector, 90 beam angle, includes mounting hardware, fits all "14C" sized high bay fixtures	843654133294	GBN-40
KT-RHLED-CL90-2-KIT /G2	Clear polycarbonate dome reflector with bottom lens, 90 beam angle, includes mounting hardware, fits all "14C" sized high bay fixtures	843654133621	SFZ-16
KT-RHLED-JHOOK	J Hook for Round LED High Bay Fixtures	843654134703	DDW-74



* Screw in PIR sensors can not be used with KT-RHLED-CL90-2-KIT /G2

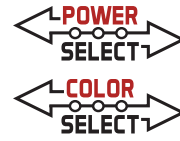
STEP DOWN TRANSFORMER

Factory-Installable OR Field-Installable (field-installable purchased separately)

✓	SUFFIX*	CATALOG NUMBER	DESCRIPTION	UPC	EASY CODE
	/480	KTAT-250-480-277 /SF	Fully enclosed, single flex step-down transformer for LED high bay fixtures (250VA or lower)	843654102931	XIM-17



* Includes KT-RHLED-JBOX-PM /G2 mounting accessory. Suitable for hanging installation only, no pendant, with 480V Step Down Transformer installed.



KT-RHLED200PS-14C-8CSB-VDIM-P

ROUND LED HIGH BAY FIXTURE

ORDERING INFORMATION

ORDER CODE	PACK QTY.	UPC	Easy Code	DLC PRODUCT ID
KT-RHLED200PS-14C-8CSB-VDIM-P	1	843654132938	XNC-69	P8IG8M5G
KT-RHLED200PS-14C-8CSB-VDIM-P /TAA	1	843654158617	LLN-45	

CATALOG NUMBER BREAKDOWN

KT-RHLED200PS-14C-8CSB-VDIM-P

1 Keystone Technologies	8 Color Selectable	2 Fixture Type	6 Size / Shape
2 Fixture Type	9 Color Select Designation	9 Color Select Designation	10 Dimming
3 LED Technology	10 Dimming	12 Housing Color	13 TAA Compliant
4 Wattage	11 Premium Series		
5 Power Selectable	12 Housing Color		
6 Size / Shape	13 TAA Compliant		
7 80 CRI			

2 Fixture Type	6 Size / Shape
RH Round High Bay	14C 14" Diameter

9 Color Select Designation	10 Dimming
B 3000K, 4000K, 5000K	VDIM 0-10V

12 Housing Color	13 TAA Compliant
Blank Black	/TAA Made in Mexico
W White	

ORDERING EXAMPLES

FIXTURE WITH MULTIPLE FACTORY-INSTALLED ACCESSORIES*

KT-RHLED200PS-14C-8CSB-VDIM-P /FC3/L515P/EM/WG/480

FIXTURE WITH MULTIPLE FACTORY-INSTALLED ACCESSORIES*

KT-RHLED200PS-14C-8CSB-VDIM-P /FC3/EM/WG

FIXTURE WITH TWO FACTORY-INSTALLED ACCESSORIES*

KT-RHLED200PS-14C-8CSB-VDIM-P /FC3/L515P

FIXTURE WITH SINGLE FACTORY-INSTALLED ACCESSORY

KT-RHLED200PS-14C-8CSB-VDIM-P /FC3

FIXTURE WITH NO FACTORY-INSTALLED ACCESSORIES

KT-RHLED200PS-14C-8CSB-VDIM-P

* When ordering more than one factory-installed accessory, use multiple suffixes as shown in the ordering examples above.
Note: All accessories can also be ordered separately for field installation using just their regular Catalog Number, UPC, or Easy Code.

KEYSTONE FIXTURE

CATALOG NUMBER
KT-RHLED200PS-14C-8CSB-VDIM-P

SENSORS

SUFFIX	CATALOG NUMBER
/FC3	KTSL-FC3-12V-PKO-PIR

CORD SETS

SUFFIX	CATALOG NUMBER
/L515P	KT-P-L515P

EMERGENCY BACKUP

SUFFIX	CATALOG NUMBER
/EM	KT-EMRG-LED-40SD-5000-CEN /SF

MOUNTS AND BRACKETS

SUFFIX	CATALOG NUMBER
/WG	KT-RHLED-WG-2-KIT /G2

STEP DOWN TRANSFORMER

SUFFIX	CATALOG NUMBER
/480	KTAT-250-480-277 /SF