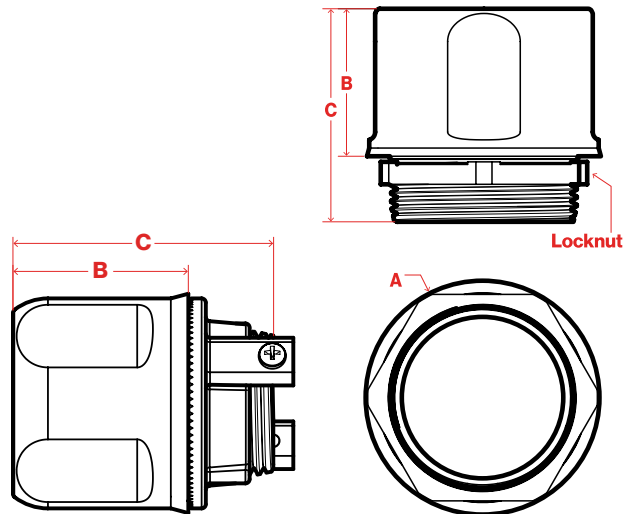


Conduit Hub



Stainless



Description

Robroy Stainless Hubs are designed to connect threaded stainless steel conduit to a threadless opening in a box or and enclosure. Robroy Stainless Hubs are 316 stainless steel and are available with or without a ground nut. Robroy Stainless Hubs have a nitrile gasket. The use of Robroy Stainless conduit hubs (traditional and hygienic) can help meet the requirements for grounding. The use of Robroy Stainless grounding hubs (traditional and hygienic) can help meet the requirements for both grounding and bonding.

Standards

- cULus Listed
- UL 514B (Conduit Hub)
- UL 467 (Grounding Hub)
- CSA C22.2 18.3-12
- CSA C22.2 No. 41-13
- TYPE 4X
- UL File Number: E200413
- UL File Number: E217890

Catalog No.	Description	Weight Each (lbs.)	A Outside Diameter (in.)	B Exterior Box Hub Length (in.)	C Overall Length (in.)
RSHUB116	Conduit Hub 1/2 Inch 316	0.24	1.19	1.25	2.00
RSHUB216	Conduit Hub 3/4 Inch 316	0.39	1.50	1.25	2.17
RSHUB316	Conduit Hub 1 Inch 316	0.61	1.63	1.55	2.60
RSHUB416	Conduit Hub 1-1/4 Inch 316	0.83	2.15	1.62	2.75
RSHUB516	Conduit Hub 1-1/2 Inch 316	0.97	2.39	1.47	2.75
RSHUB616	Conduit Hub 2 Inch 316	1.65	3.00	1.82	3.00
RSHUB716	Conduit Hub 2-1/2 Inch 316	2.69	3.50	2.25	3.88
RSHUB816	Conduit Hub 3 Inch 316	4.05	4.25	2.17	4.13
RSHUB1016	Conduit Hub 4 Inch 316	5.93	5.25	2.72	4.50
RSHUB116G	Grounding Hub 1/2 Inch 316	0.30	1.19	1.25	1.85
RSHUB216G	Grounding Hub 3/4 Inch 316	0.45	1.5	1.25	1.85
RSHUB316G	Grounding Hub 1 Inch 316	0.67	1.77	1.46	2.13