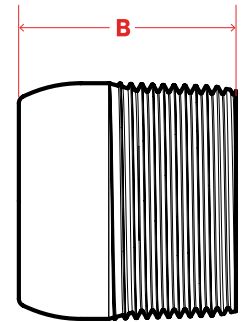
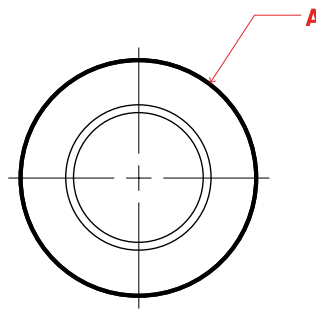
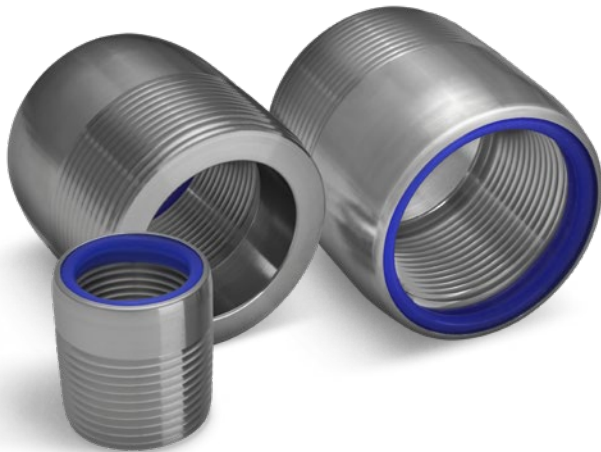


# Reducing Bushing



Hygienic



## Description

Robroy Stainless Hygienic Reducing Bushings reduce conduit hubs to a smaller size. They are made of 316 stainless steel and are specially designed for the hygienic system and are provided with a circular conduit entry gasket made of FDA approved silicone at the female thread and an extended design on the male threads allowing for a sealed connection.

## Standards

- cULus Listed
- UL 514B
- CSA C22.2 No. 18.1-04
- TYPE 4X
- IP69/IP69K
- NSF/ANSI/3-A 14159-1
- UL File Number: E231035

Part	Description	Weight Each (lbs.)	A Outside Diameter (in.)	B Overall Length (in.)
RSRE216H	Hygienic Reducing Bushing 3/4 Inch to 1/2 Inch 316 with Conduit Entry Gasket	0.15	1.12	1.50
RSRE316H	Hygienic Reducing Bushing 1 Inch to 1/2 Inch 316 with Conduit Entry Gasket	0.30	1.32	1.44
RSRE326H	Hygienic Reducing Bushing 1 Inch to 3/4 Inch 316 with Conduit Entry Gasket	0.20	1.32	1.41
RSRE426H	Hygienic Reducing Bushing 1-1/4 Inch to 3/4 Inch 316 with Conduit Entry Gasket	0.46	1.66	1.50
RSRE436H	Hygienic Reducing Bushing 1-1/4 Inch to 1 Inch 316 with Conduit Entry Gasket	0.33	1.66	1.20
RSRE526H	Hygienic Reducing Bushing 1-1/2 Inch to 3/4 Inch 316 with Conduit Entry Gasket	0.74	1.90	1.75
RSRE536H	Hygienic Reducing Bushing 1-1/2 Inch to 1 Inch 316 with Conduit Entry Gasket	0.64	1.90	1.75
RSRE546H	Hygienic Reducing Bushing 1-1/2 Inch to 1-1/4 Inch 316 with Conduit Entry Gasket	0.43	2.00	2.00
RSRE626H	Hygienic Reducing Bushing 2 Inch to 3/4 Inch 316 with Conduit Entry Gasket	1.53	2.38	2.25
RSRE636H	Hygienic Reducing Bushing 2 Inch to 1 Inch 316 with Conduit Entry Gasket	1.50	2.38	2.25
RSRE646H	Hygienic Reducing Bushing 2 Inch to 1-1/4 Inch 316 with Conduit Entry Gasket	1.24	2.38	2.25
RSRE656H	Hygienic Reducing Bushing 2 Inch to 1-1/2 Inch 316 with Conduit Entry Gasket	1.11	2.38	2.25